

SnapSafe®
A Hornady® Company

Titan Safe
Owner's Manual

Thank you for purchasing a SnapSafe®Titan. Now you have the peace-of-mind knowing your valuables are protected from loss due to fire or theft. Best of all, you can easily locate or relocate this protection anywhere piece-by-piece to any room in minutes. The SnapSafe® Modular Assembly System offers all the impregnability of a welded safe in an easy-to-assemble modular design.

YOUR COMBINATION CODE

- Your factory preset combination code is 1-2-3-4-5-6.

Store this combination in a location other than your safe.

OPENING AND CLOSING YOUR SAFE

OPENING:

1. Enter the 6-digit combination code.
2. Rotate 3-spoke handle clockwise into the open position and pull door open.
3. The Entry Keypad relocks in 4 seconds after a valid code has been entered.
4. The Entry Keypad will return to "standby" status with a long beep sound if there is no operation in 10seconds after the system has been activated.
5. If you enter an incorrect combination 4-times in a row, the lock will shut down for 5-minutes.

Double Door Safes ONLY: To open the second door, push handle in door frame all the way down to unlock and swing door open.

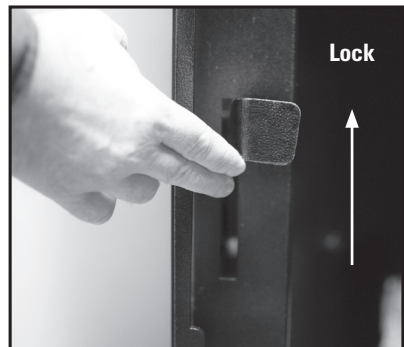
CLOSING:

1. Close safe door.
2. Rotate 3-spoke handle counter-clock wise to the closed position until you hear bolts engage.

Double Door Safes ONLY: To close the left door, push handle in door frame all the way down and swing door closed. Lift handle all the way up to lock left door.



Double door handle down to unlock left door.



Double door handle up to lock left door.

CHANGING YOUR COMBINATION CODE

Write down and store a new 6-digit code. Do not store in safe.
You cannot set the combination code to six (6) zeros (0).

1. Open safe door and lock it in open position.
2. Enter zero (0) six (6) times. One beep sounds indicating the entry is valid and the system is awaiting a code change.
3. Enter the **existing** 6-digit code. One beep sounds, indicating the entry is valid.
4. Enter a **new** 6-digit code. One beep sounds, indicating the entry is valid.
5. **Re-enter** the **new** 6-digit code. One beep sounds, indicating that the code in steps 4 and 5 are the same and the code change is successful.
6. If three beeps sound, the code change was unsuccessful, and the existing code is still valid. Repeat steps 2 – 5.
7. Enter and check new code three times before closing door.

Note: Each step in the code change process must be completed in 10 seconds or the system reverts back to “standby” status.

LOW BATTERY ALERT

Your lock has a “Low Battery Alert.” If the Entry Keypad beeps repeatedly during an unlocking, the battery is low and needs immediate replacement.

INSTALLING AND REPLACING ENTRY KEYPAD BATTERY

Your safe is equipped with an electronic lock made with non-volatile memory, meaning your combination code is retained even if the batteries are no longer powering the lock. If this happens, simply replace the batteries.

Install only a high-quality alkaline battery in the compartment in the back of the Entry Keypad following these steps.

1. Remove Entry Keypad. Slide it up and carefully pull it away from the safe’s door. (Fig.1)

Note: Do not pull the Keypad as too much force may damage the cable.

2. Snap new battery into the connector clip, and slide it into the battery compartment top down so that the wires will not be pinched between the battery and the safe door. (Fig.2)
3. Position the Keypad over the mounting screws, and slide it down into position.

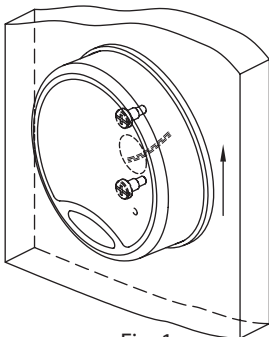


Fig. 1

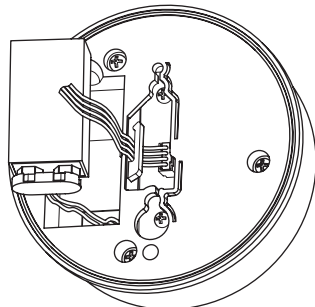


Fig. 2

BACKUP MECHANICAL KEY OVERRIDE

WARNING: Store key in a secure location away from the safe.

To access key override slot, gently slide digital keypad up and away from door to remove keypad.

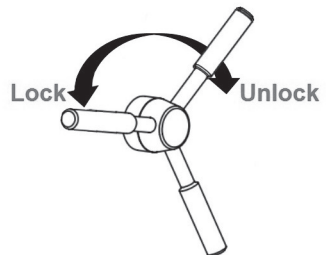
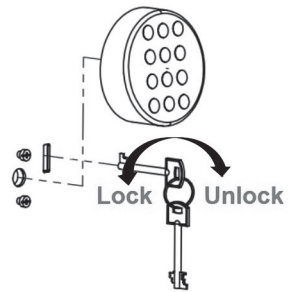
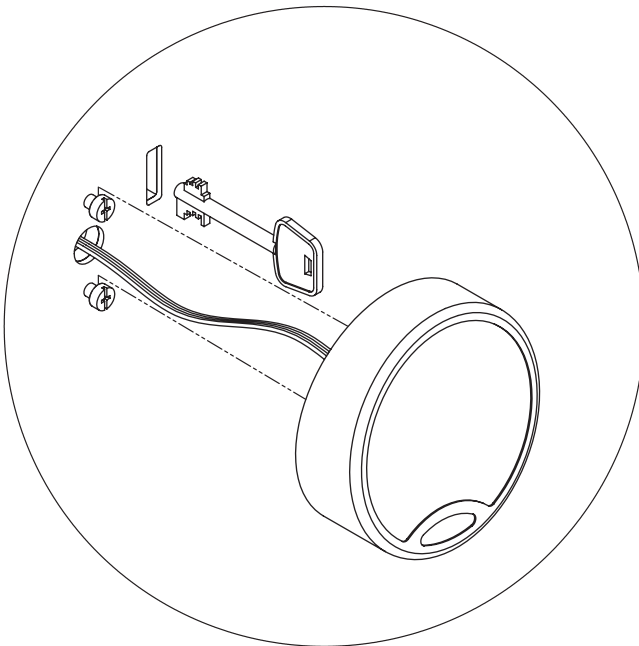
NOTE: When digital keypad is removed, handle keypad and cable carefully to prevent damage to cable.

UNLOCK

Place key into slot as shown and rotate clockwise. With key rotated, rotate door handle clockwise to retract locking lugs and open door.

LOCK

Fully close door. Then rotate door handle counterclockwise to extend locking lugs. Rotate key counterclockwise to lock extended lugs and safe. Remove key and carefully tuck cable back into hole in door while replacing digital keypad. Make sure safe is locked.



ASSEMBLING YOUR TITAN SAFE

1. Unpack and lay out all parts.
2. Thread DOOR HANDLE SPOKES onto the hub on DOOR (Part 12).
3. Install a fresh, high-quality 9V battery in the Entry Keypad.
4. Important — Remove temporary door hinge screws from door hinges.
5. Enter the factory combination code of 1-2-3-4-5-6 and open the door. Then lift it off the DOOR FRAME (Part 6) and set aside.
6. Assemble Top, Bottom and Sides (Parts 1 through 4) first. For easier assembly, fire shield blankets can be removed and then replaced before assembling the interior. Install hardware loosely at first and tighten nuts after exterior panels are aligned and seated.
7. With the back panel of the vault on the ground, bolt the entire assembly onto the BACK (Part 5).
8. Then position the door frame on the assembly and install all remaining hardware. Replace any fire shield blankets that were removed for assembly.
9. Begin interior assembly by placing top panel.
10. Insert interior side panels through the door opening, bottom to top, and then slide into final position, front to back. Interior panels are designed to fit snugly.
11. Insert the interior bottom panel through the door opening between the front and back shelf strips and drop into position, front to back. Be careful to leave the pull strap accessible.
12. Stand the vault upright in a solid location to complete the assembly of the interior shelving and the vault door.
13. Install mounting brackets in the shelf strips in the desired locations. Using the installed brackets, mount the shelves and gun rack.
14. Remount the vault door on its hinges.
15. With the vault door locked in the open position, follow the procedure in the Owner's Manual to change the combination from the factory code.
16. For additional help, watch our assembly video on www.snapsafe.com.

Notes:

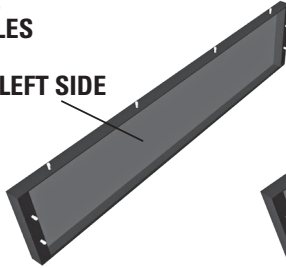
1. Each part is marked with an assembly number, orientation and instructions.
2. Each part's orientation, e.g. TOP, BOTTOM, FRONT, etc., matches its orientation in the assembled vault. LEFT and RIGHT are as you face the front of the vault.

ORDER OF ASSEMBLY



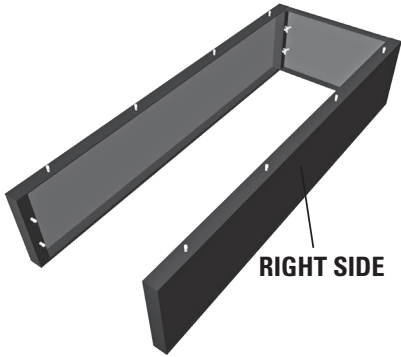
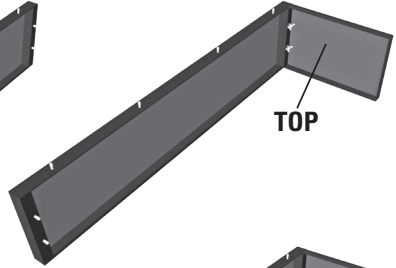
**BATTERY
AND
SPOKE
HANDLES**

LEFT SIDE



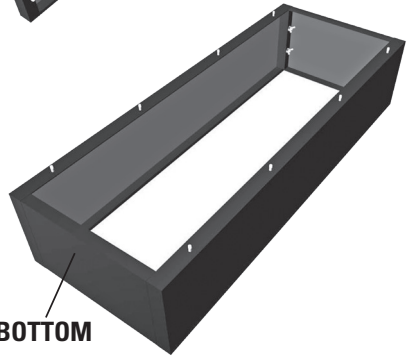
*Loosely
tighten
bolts*

TOP

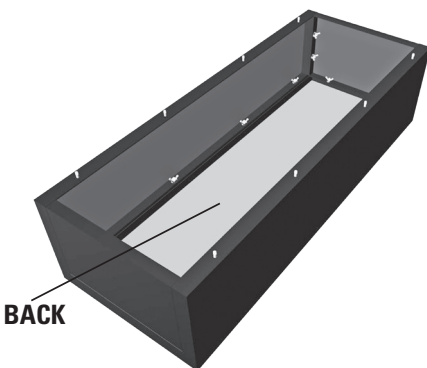


RIGHT SIDE

BOTTOM

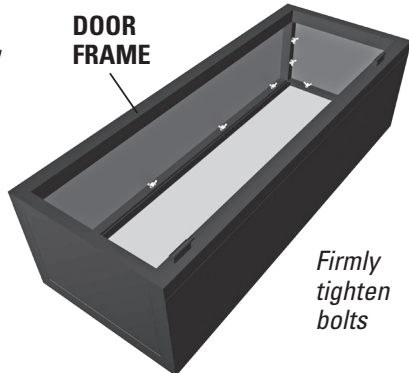


NOTE: *When inserting interior panels, tuck front edge in first, then slide back edge into place.*

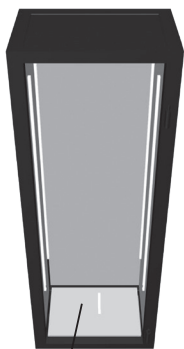


BACK

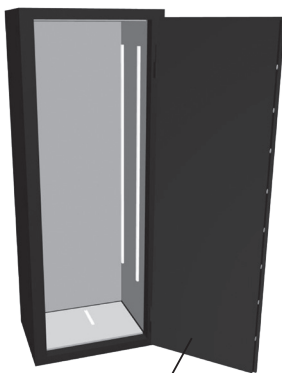
**DOOR
FRAME**



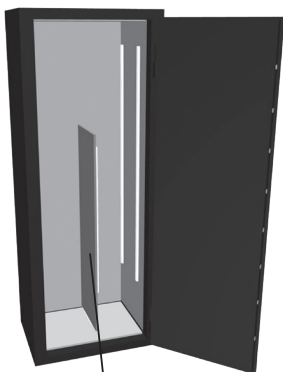
*Firmly
tighten
bolts*



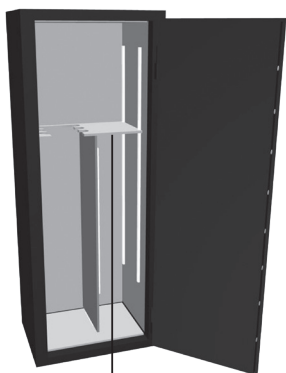
**BOTTOM
INTERIOR PANEL**



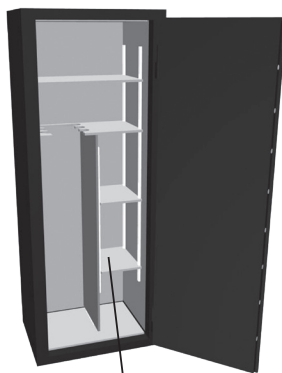
**STAND SAFE UPRIGHT
AND HANG DOOR**



DIVIDER



**GUN RACK
DIVIDER TOP**



SHELVES

BOLTING DOWN YOUR SAFE

We recommend bolting your safe to the floor using two ¼" wedge anchor concrete bolts through the predrilled holes in the **BOTTOM** of the safe.

CARE AND MAINTENANCE

With a little care and maintenance your SnapSafe® Titan Safe will last a lifetime. Keep the door hinge pins lightly greased so that the door opens smoothly. Vacuum the inside from time to time, and wipe down the outside with a soft cloth and mild detergent. Never use harsh solvents or abrasives on any surfaces, as they may damage the exterior finish or interior materials.

SNAPS SAFE LIFETIME WARRANTY

If you ever experience a fire or attempted break-in we'll repair or replace your safe at no charge. *All you have to do is to forward the report from the proper investigative agency.*

Instructional videos for SnapSafe® products are available at snapsafe.com.

SnapSafe®
A Hornady® Company

Customer Service: PO Box 1848, Grand Island, NE 68802-1848
1-877-214-4470 | Email: info@snapsafe.com | snapsafe.com