



SLIDER

NSL20i|NSL20 INSTRUCTION MANUAL

Table of Contents

Product Overview	01 / 02
Introduction / Warnings	03 / 04
Battery Operation / Battery Maintenance	05 / 07
Battery Installation	05
Charging the Battery	06
Master Code Programming	08
Smart Align Biometric Programming	09 / 12
Helpful Programming TIPS	09
Programming 1st and 2nd Fingerprints	10
Programming Additional Fingerprints	11
Deleting Fingerprints	11-12
Wi-Fi® Setup	12
Smart Key Operation (optional accessory)	12 / 14
Pair Smart Key to Your Safe	13
Smart Key Entry Modes	13
Toggle Smart Key Access Modes	14
To Unpair Smart Key	14
Hot Keys	15 / 16
Tamper Detection	15
Toggle Sound	15
Toggle Travel Mode	15

View Battery Status	15
Delete Fingerprints	15
Toggle Interior Light	15
Interior Light Time Extension	16
Toggle Smart Key Modes	16
Toggle Alert of Manual Unlock	16
Toggle Dual Entry Mode	16
Factory Reset	16
Product Registration	17
Securing Your Safe	18 / 20
Mounting Plate Installation	19
Mounting Your Safe	19
Removing Your Safe	20
FAQ	21 / 22
Troubleshooting	23
Customer Support / Warranty	24

Box Contents

Vaultek® Safe	AC Power Adapter and Charging Cable	Hardware Mounting Kit
18650 Lithium-ion Battery	Mounting Plate	Backup Keys (2)

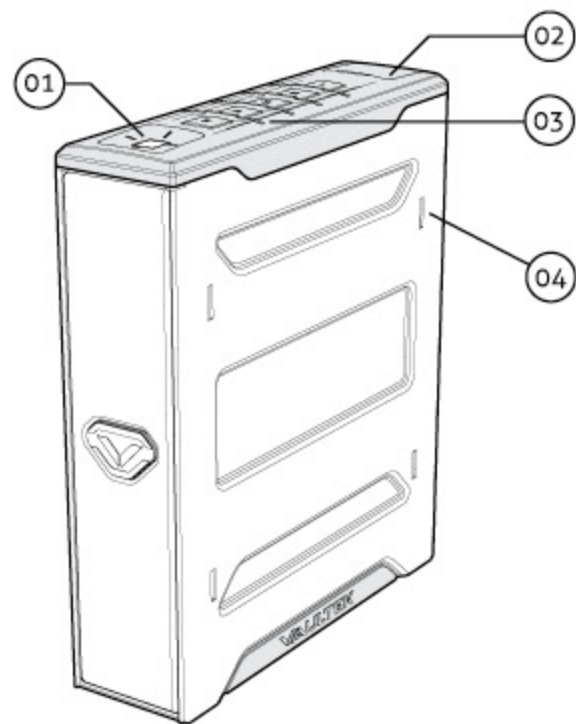
GET STARTED

**VAULTEKSAFE.COM/
SLIDERWIFI-SUPPORT**

ONLINE TUTORIALS
Setup and Wi-Fi® guide.

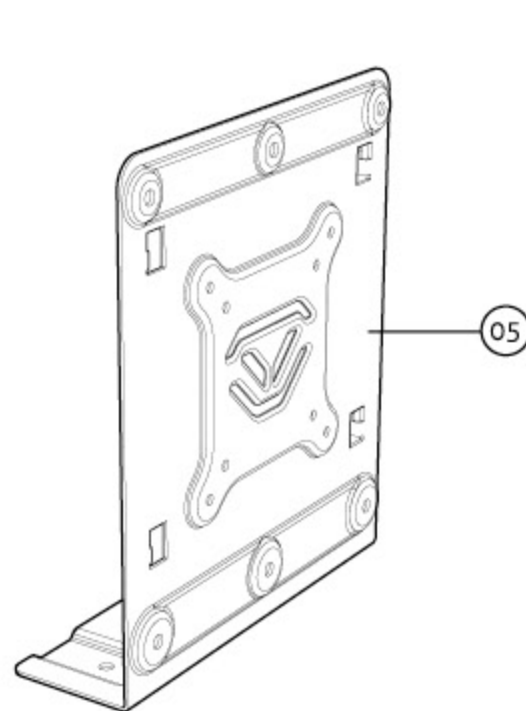
Product Overview

Get to know your Vaultek® Slider.

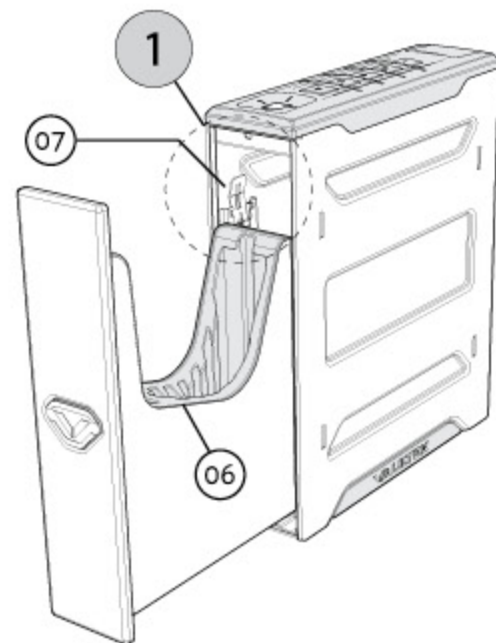


- 01. Smart Align Biometric Scanner (NSL20i Only)
- 02. Key Hole Cover
- 03. Backlit Keypad

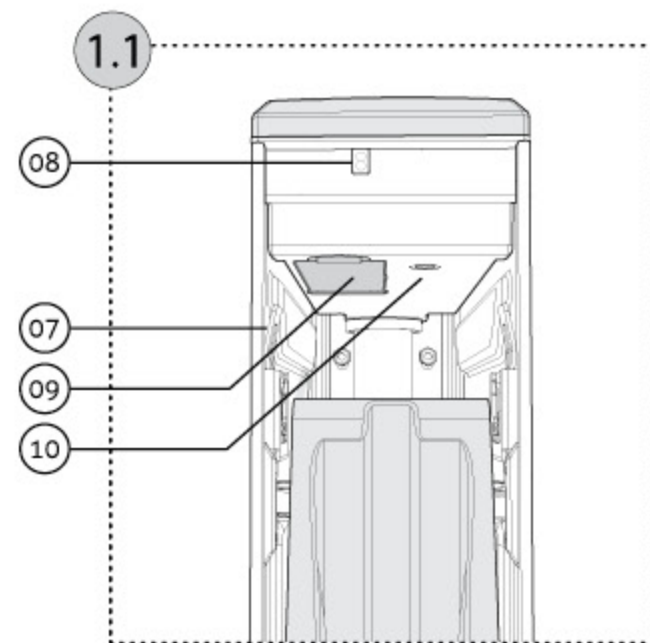
01 Vaultek®



- 04. Mounting Slots (4x)
- 05. Vaultek® Mounting Plate



- 06. Pistol Holster with Spare Magazine Slot
- 07. Mounting Plate Release Clip
- 08. LED Light



- 09. Battery Compartment Door
- 10. PROGRAM Button

02 Vaultek®

Introduction

The Vaultek® Wi-Fi® Slider Series is a tough and rugged, quick access, Wi-Fi® enabled smart safe. Its solid structure and penetration resistant design makes it ideal for quick firearm access. Powered by a rechargeable lithium-ion battery, the safe combines high security with complete access control.

Secure Access How to open your Vaultek® safe.

Smart Align Biometric Scanner (NSL20i Only) Personalized access for up to 20 unique fingerprints. See pages 09 to 12 for more information.

Keypad The numeric keypad responds quickly for rapid access and has a built-in proximity sensor that lights up when your hand brushes against the safe. See page 08 for more information.

Key Two keys are provided for manual access to the safe in the event the battery dies.

Secure Defense How your Vaultek® safe keeps people out.

Anti-Impact Latch Built to withstand forceful impacts and heavy slams.

Rugged Construction Reinforced steel construction helps prevent unwanted tools from attempting to break the safe open.

Security Sleep Mode Activates when six (6) consecutive incorrect keypad entries are entered or (6) incorrect fingerprint scans are made. The safe will not accept any entries for four minutes. If any additional attempts are made the alarm will beep. The security sleep mode can be cleared upon unlock of the safe by any authorized access method including the backup keys.

Alert Notifications: Wi-Fi® connectivity allows you to receive alerts such as push notifications and text alerts during critical safe activity. This includes battery levels, tampering, and anytime the safe is opened.

Warnings

To prevent damage to your Vaultek® unit or injury to yourself or to others, read the following safety precautions before using this unit.

DO NOT PLACE OR STORE THE BACKUP KEYS INSIDE THE SAFE AT ANY TIME. IF THE BATTERY FAILS, YOU WILL BE UNABLE TO OPEN THE SAFE.

DO NOT expose to extreme heat or cold. Battery power may be affected.

DO NOT store loaded guns in this unit. Firearms are serious in nature and must be handled with respect. Store responsibly.

DO NOT get fingerprint sensor wet.

ALWAYS check to make sure door has latched when closing; door requires a firm press and locks automatically.

Be sure and follow all local and state firearm laws.

DO NOT operate a firearm without proper training and experience.

Check page 12 and 14 for Smart Key warnings.

DISCLAIMERS:

NEITHER SELLER NOR MANUFACTURER SHALL BE LIABLE FOR UNAUTHORIZED ACCESS, ANY INJURY, LOSS OR DAMAGE TO PERSONAL PROPERTY DIRECT OR CONSEQUENTIAL, ARISING OUT OF THE USE OF, OR THE INABILITY TO USE THE VAULTEK® SAFE.

THE USER SHALL DETERMINE THE SUITABILITY OF THE VAULTEK® SAFE BEFORE THE INTENDED USE AND USER ASSUMES ALL RISK AND LIABILITY WHATSOEVER IN CONNECTION THEREWITH. VAULTEK® SAFES ARE NOT INTENDED TO PROTECT AGAINST ENVIRONMENTAL HAZARDS INCLUDING FIRE AND WATER.

Wi-Fi® is a registered trademark of Wi-Fi Alliance®.

Battery Operation

Your safe uses a 3.7V 18650 rechargeable lithium-ion with a flat top. A minimum 2000 mAh capacity is required, however 2200 mAh or higher can be used to increase operation time. A high capacity battery upgrade is available as an accessory through our website.

Battery Installation

- 1 To get started open the safe using one of your backup keys via the keyhole at the back of the safe. Open keyhole cover, push key in and rotate key clockwise to open the safe.
- 2 Locate the battery door and open by depressing the tab near the front of the cover, allowing the door to fold down (Figure A/B).
- 3 Snap the battery (included in accessory box) into the battery door (Figure B/C). The battery door has molded snaps for the battery to clip into. Note that your Vaultek® safe automatically detects the polarity of the battery and can be snapped in either direction.
TIP! Make sure to push battery to back of the battery door allowing the door to close properly.
- 4 Close the battery door. When the battery door is closed you will hear a short welcome tone and the keypad will light up.

IMPORTANT: First time users should change the default code immediately after installing the battery to prevent unauthorized access to your safe.



FIGURE A



FIGURE B



FIGURE C

Charging the Battery

Your Vaultek® safe is powered by a rechargeable lithium-ion battery and comes with a charging kit which includes an AC power adapter and a micro-USB cable. Safe and micro-USB cable can be used with all international power adapters. Under normal usage, a fully charged battery can last at least 3 months in Low Power Mode.

- 1 **To recharge the safe**, plug the micro-USB cable into the micro-USB receiving jack located on the back side of the safe (Figure D) and connect to a standard USB port or wall outlet using the AC power adapter. Approximate recharge time is 2.5 hours.
- 2 The LED next to the receiving jack on the back of the safe (Figure D) will glow RED indicating charging and GREEN indicating charged.

Charging TIPS

- A After installing the battery, use the charging kit provided to charge the unit 100%.
- B The charging kit can also function as an external power supply, which means you can open your safe even when the battery is depleted.
- C Leaving your safe plugged in continually will **not** harm the safe or battery. **For best performance, it is recommended to keep plugged in.**
- D The adapter used to charge the battery should output 5V/2000mA or above when using micro-USB cable.

See the FAQ section for additional information about the battery.



FIGURE D

Battery Maintenance

Testing the Battery Power

To check the battery level, press and hold the '5' key on the keypad for 3 seconds. The keys will glow GREEN or RED to indicate the battery level:

Remaining Battery Capacity Level
If 4 keys glow green: 80%-100%
If 3 keys glow green: 60%-80%
If 2 keys glow green: 40%-60%
If 1 key glows green: 20%-40%
If 1 key glows red: 10%-20%
If 1 key blinks red: less than 10%

Low Battery

If the first key blinks RED several times and you hear several rapid beeps when opening the safe, your battery level is critically low and your safe needs to be charged immediately.

Soft Reset TIP

In the event the battery dies or a soft reset is performed (battery removal and installation) the safe will restore default settings for interior light, sound, Smart Key, Low Power Mode, and Alert of Manual Unlock feature. These settings will need to be readjusted, however the master code and fingerprint scanner will not be affected.

IMPORTANT

Use a 3.7V 18650 rechargeable lithium-ion battery with a flat top. A minimum 2000 mAh capacity is required, however 2200 mAh or higher can be used to increase operation time.

A high capacity battery upgrade is available as an accessory through our website.

The adapter used to charge the battery should output 5V/2000mA or above when using micro-USB cable.

TUTORIALS ONLINE AT VAULTEKSAFE.COM/SLIDERWIFI-SUPPORT

Master Code Programming

First time users should change the default code as soon as possible to prevent unauthorized access to your safe.

TIP: Code Requirements

- Your code can be a minimum of 4 and a maximum of 8 digits. We recommend a code 6 to 8 digits in length using at least one of each key to make it more difficult for someone to guess your code. For your security, the safe will time out and sleep for 4 minutes if 6 incorrect entries are made.
- Two keys cannot be pressed simultaneously.
- Programming a new code will overwrite your previous code.

- 1 Open the safe. With the safe open, press and hold the '1' key and "PROGRAM" button together (3 seconds)(Figure E) until all keys turn RED and let go.
- 2 Enter your NEW master code.
- 3 **IMMEDIATELY** Press and hold the '1' key and "PROGRAM" button together a second time (3 seconds) until all keys turn RED and let go.
- 4 Enter your NEW master code a second time.
- 5 **IMMEDIATELY** Press and hold the '1' key and "PROGRAM" button together a third time (3 seconds) until the safe beeps and all keys turn GREEN and let go. This tone confirms that the code has been reset.

If you make a mistake and the new code will not work, simply start over with step 1.

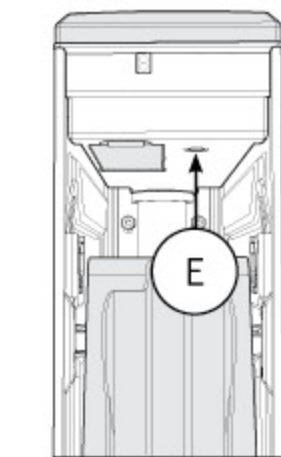


FIGURE E

TUTORIALS ONLINE AT VAULTEKSAFE.COM/SLIDERWIFI-SUPPORT

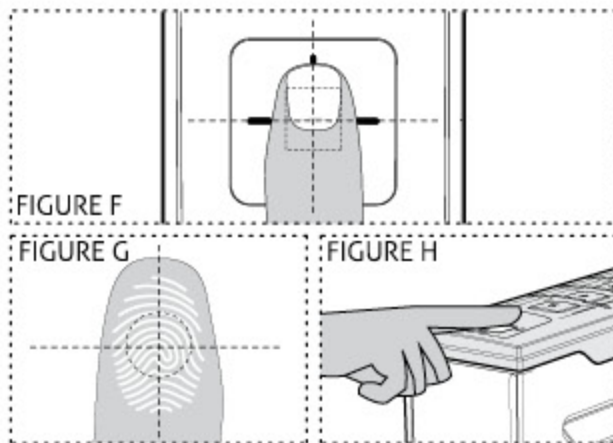
Smart Align Biometric Programming (NSL20i Only)

Biometrics are methods of authenticating the identity of a person based on physical or behavioral characteristics. Biometric fingerprint authentication refers to technology that measures and analyzes human physical characteristics for identification and authentication purposes. The smart align biometric system guides your finger placement for consistent and accurate results.

Everyone has their own unique fingerprints, and what makes them unique is the pattern of ridges, valleys, and minutiae points that comprise an individual print. Vaultek® and their leading engineering group has developed proprietary technology to read and match fingerprints with unmatched speed and accuracy. That means that only authorized users have access to your valuables. The safe is capable of storing fingerprint data for up to 20 unique authorized users. A user consists of 5 scans of the same finger during registration. Once a user's fingerprint data is stored in the safe and encrypted, it cannot be copied or stolen.

Helpful Programming TIPS

- **Place the core of the fingerprint flat** (Figure F+G) over the center of the scanner in line with the side LEDs (this allows the scanner to read where most of the fingerprint detail is located) see (Figure F).
- Adjust your finger slightly between scans for increased accuracy.
- Excessive moisture, lotions, or dirt will affect your fingerprint and may cause inaccurate sensor reading.
- If you are experiencing difficulty try different fingers. Each finger is unique and some fingers, such as your thumb, contain more readable information than others.
- To increase your success rate register the same fingerprint multiple times.



ATTENTION! (Figure H)

Position your finger flat against the scanner to increase the amount of readable information.

Continue on next page for more information about the fingerprint scanner.

Programming the 1st and 2nd Fingerprints

The 1st and 2nd fingerprints will be recognized as administrative fingerprints and will be used to authorize additional users. To program additional users please refer to the next page.

- 1 Open the safe. Program 1st fingerprint by pressing and holding the '2' key and "PROGRAM" button together (3 seconds)(Figure I). The fingerprint crosshairs (Figure J) will turn solid RED and the '1' key on the keypad will start blinking RED.

TIP: If **all** keys are blinking RED and the fingerprint crosshairs turn solid RED then refer to programming fingerprints 3-20 on next page.

- 2 Using the helpful programming tips provided on page 09 place your finger on the fingerprint scanner for the 1st of five scans. When the safe beeps and the '1' key lights up GREEN remove your finger.
- 3 Place finger again over the scanner until the safe beeps and the '2' key lights up GREEN and lift. You will repeat this process until all keys (1-5) are solid GREEN.
- 4 Close door and test to see if the safe will open using your fingerprint. If you experience issues refer to the helpful programming tips listed on page 09 or view our tutorials online at vaulteksafe.com under Support.
- 5 Repeat steps 1 through 4 to add the 2nd administrative fingerprint.

Continue on next page to program fingerprints 3-20 and deleting prints.

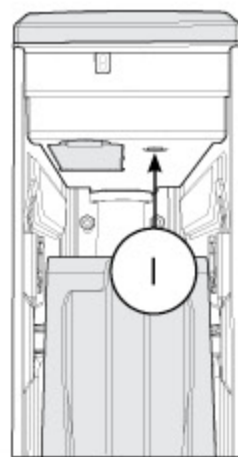


FIGURE I

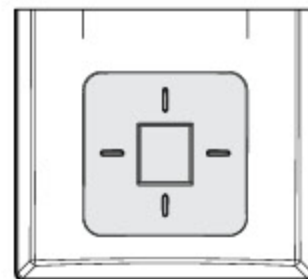


FIGURE J

TUTORIALS ONLINE AT VAULTEKSAFE.COM/SLIDERWIFI-SUPPORT

Programming Additional Fingerprints

The first two fingerprints programmed into the safe are the administrative fingerprints. Any additional users programmed require authorization from one of these fingerprints.

- 1 Open the safe. Program additional fingerprints by pressing and holding the '2' key and "PROGRAM" button together (3 seconds)(Figure I on page 10). When all keys (1-5) are blinking RED scan one of the administrative fingerprints.
- 2 Place one of the first two programmed administrative fingerprints on the scanner and remove when the safe beeps and the fingerprint crosshairs blink GREEN. When the '1' key starts blinking RED you can enroll a NEW fingerprint.

TIP: If the administrative print is left on the scanner too long the safe will begin to program that fingerprint into the safe again and not the NEW fingerprint. If this happens start over with step one.
- 3 Using the helpful programming tips provided on page 09 place the NEW finger on the scanner. When the safe beeps and the '1' key lights up GREEN remove your finger.
- 4 Place finger again over the scanner until the safe beeps and the '2' key lights up GREEN and lift. You will repeat this process until all keys (1-5) are solid GREEN.

Deleting Fingerprints Continued on the next page

Individual fingerprints can not be deleted from the keypad on the safe. Following this procedure will erase all of the fingerprints including both administrative fingerprints. If you wish to delete individual fingerprints, you must use the Vaultek® Wi-Fi® app or online dashboard. This procedure will not affect the keypad master code.

TIP! Fingerprints can also be temporarily disabled. Using the online Web Dashboard or Vaultek® Wi-Fi® app individual prints can be temporarily disabled and can not access the safe. This does not delete the fingerprint, only temporarily disables it until enabled again as needed.

Deleting Fingerprints Continued

- 1 Press and hold the '3' key and "PROGRAM" button together until **all** the keys light up RED and let go.
- 2 Enter your master code on the keypad. If the code is correct, all the keys will blink GREEN and safe will beep indicating deletion of **all** the fingerprints.

Wi-Fi® Setup

Visit www.vaulteksafe.com/sliderwifi-support for complete setup instructions and tutorial videos.

Smart Key Operation (optional accessory) Continue on the next page.

Smart Key Warnings

Take caution when using this feature and be responsible. Security can be compromised in the event Smart Key is lost or stolen. Only pair Smart Key after thoroughly understanding the inherent risks.

WARNING anyone including children can access the safe via Smart Key.

WARNING On Demand entry mode can open a safe in another room and/or out of sight. To reduce risk of an unattended open safe we recommend using Progressive entry mode.

ALWAYS unpair Smart Key in the event it is lost or stolen.

IMPORTANT On Demand entry mode requires significant power usage and can greatly reduce operation time on a single charge. We suggest keeping the safe in Progressive entry mode. If using On Demand entry mode try keeping the safe plugged in.

Smart Key Operation (optional accessory)

Your Vaultek® safe supports quick access with the Smart Key. Smart Key is available online at vaulteksafe.com. **Take caution when using this feature and be responsible. Security can be compromised in the event it is lost or stolen. Only pair Smart Key after thoroughly understanding the inherent risks.**

Smart Key Pairing

- 1 Press and hold the '5' key then "PROGRAM" button together (3 seconds) until the keypad flashes RED.
- 2 Aim Smart Key towards the safe and press. If the keypad flashes GREEN then the Smart Key has paired successfully. If the keypad flashes RED then simply start over with step 1.
- 3 **Set Entry Mode:** After pairing, Smart Key will be immediately active to test functionality, but then deactivate. Smart Key settings will need to be set to either On Demand or Progressive in order for Smart Key to open your safe. See next page for more information.

IMPORTANT Smart Key should be mounted less than 6 feet away from safe for proper operation. Use in long range is not recommended as it may cause accidental opens.

Multiple Safe Management

- A Multiple Smart Keys can not pair with the same safe. It is recommended to pair one Smart Key per safe.
- B Recommended setting when using the Smart Key is Progressive entry mode.
- C You can manage multiple safes through the Vaultek® Wi-Fi® smartphone app and Web Dashboard.

CAUTION when managing multiple safes in On Demand entry mode there is a chance you can open all safes within range.

TUTORIALS ONLINE AT VAULTEKSAFE.COM/SLIDERWIFI-SUPPORT

Toggle Smart Key Entry Modes

After pairing you can toggle between access modes from the keypad, Wi-Fi® smartphone app, or the online Web Dashboard. To toggle modes from the safe's keypad press and hold keys '2' and '5' then "PROGRAM" button together until the keypad indicates each mode as below.

OFF - Keys Turn Solid RED

Progressive Entry Mode - Keys Blink Green Safe goes into sleep mode and will require you to wake up the safe before using Smart Key. You can wake up the safe by pressing any key or brushing your hand across the keypad of the safe (backlit keys will turn RED).

On Demand Entry Mode - Keys Solid Green This mode grants immediate access to your safe without having to wake it up.

Warning: On Demand entry mode can open a safe in another room and/or out of sight. To reduce risk of an unattended open safe we recommend using Progressive entry mode.

On Demand entry mode requires significant power usage and can greatly reduce operation time. We suggest setting the Smart Key to Progressive entry mode to conserve battery, unless the safe is constantly plugged into a power outlet.

To Unpair Smart Key

NOTE: Disabling the Smart Key function from the Wi-Fi® app, Web Dashboard, or safe's keypad will NOT delete a paired key from the safe's memory. In the event a Smart Key is lost or stolen, you can delete the lost Smart Key from the safe's memory by using a couple different methods:

- A Press and hold the '5' key then "PROGRAM" button together (3 seconds) until the keypad flashes RED and times out indicating the safe deleted a paired Smart Key from memory. This is the same sequence used when initially pairing.
- B Anytime a new Smart Key is paired with the safe, the previous key will be erased from the safe's memory.

Hot Keys

Tamper Detection

Press and hold '2' and '4'

To check for tampering press and hold keys '2' and '4' together for 3 seconds. The '3' key will glow RED to indicate tampering or GREEN to indicate no tampering. You can reset the tamper detection by opening the safe through one of the authorized entry points.

Toggle Sound

Press and hold '1' and '3'

To toggle the sound ON/OFF press and hold keys '1' and '3' together for 3 seconds. If the '2' key glows GREEN and beeps, the sound is ON; if the '2' key glows RED, the sound is OFF.

Toggle Travel Mode

Press and hold '1'
'3' and '5'

Save battery life by disabling the proximity sensor, fingerprint sensor, keypad, Smart Key, and Wi-Fi®. To toggle travel mode ON/OFF press and hold keys '1' '3' and '5' together until the safe beeps and the keys light up. If the keys glow RED and beeps, the safe is disabled; if the keys glow GREEN and beeps, the safe is operational.

View Battery Status

Press and hold '5'

To check the battery level press and hold the '5' key on the keypad (3 seconds). Keys from '1' to '4' will glow GREEN or RED to indicate the battery level. See pages 04 to 05 for more information.

If 4 keys glow green: 80%-100%

If 3 keys glow green: 60%-80%

If 2 keys glow green: 40%-60%

If 1 key glows green: 20%-40%

If 1 key glows red: 10%-20%

If 1 key blinks red: less than 10%

Delete Fingerprints

Press and hold '3' and "PROGRAM" then enter master code

To delete fingerprints press and hold the '3' key and "PROGRAM" button together (3 seconds) until all keys turn RED then enter your master code. This will remove all the fingerprints. You can delete individual fingerprints in the Vaultek® Wi-Fi® smartphone app or Web Dashboard.

Toggle Interior Light

Press and hold '1'

To toggle interior light press and hold '1' key for 3 seconds. With the light toggled ON it will illuminate when the safe opens and you can also adjust the brightness in the Vaultek® Wi-Fi® smartphone app or Web Dashboard.

Interior Light Time Extension

Press and hold '2'

To add additional time to the interior light press and hold the '2' key for 3 seconds. The light will turn on for an additional 10 seconds.

Toggle Smart Key

Modes Press and hold '2' and '5' then "PROGRAM" button

To toggle Smart Key entry modes press and hold keys '2' and '5' then "PROGRAM" button together for 3 seconds. The keypad will indicate each mode as listed on page 14. You may also alternate modes in the Vaultek® Wi-Fi smartphone app or Web Dashboard.

Toggle Alert of Manual Unlock

Press and hold '2' and '3' then "PROGRAM" button

If Alert of Manual Unlock is on, and someone opens the safe with either the key or by picking the lock, the keypad will start flashing and send an alert via the Wi-Fi smartphone app or web dashboard. To toggle Alert of Manual Unlock press and hold keys '2' and '3' then "PROGRAM" button together for 3 seconds. The keypad will flash GREEN indicating enabled or RED indicating disabled. If ON and activated it can only be cleared by entering master code. Default is OFF.

Toggle Dual Entry Mode (Only SL20i)

Press and hold '3' and '4' then "PROGRAM" button

To toggle the Dual Entry ON/OFF press and hold keys '3' and '4' then "PROGRAM" button together for 3 seconds. The keypad will flash GREEN indicating enabled or RED indicating disabled. If the Dual Entry is toggled ON, you will be required to enter your master code and fingerprint (and vice versa) to open the safe. This mode requires that at least one fingerprint be programmed into the safe.

Factory Reset

Press and hold '1' and '5' then "PROGRAM" button

Press and hold keys '1' and '5' then "PROGRAM" button together for 3 seconds. **IMPORTANT** The Factory Reset erases ALL programmed information and restores the safe to its default settings. This includes any network configurations and enrolled fingerprints. The master code is reset to 1-2-3-4-5 and the safe will restart. The safe must be configured again to work with the Vaultek® Wi-Fi® smartphone app and the Web Dashboard.

Product Registration

Vaultek® strongly encourages you to register your safe as soon as you receive it. Registration provides many benefits including three year warranty, technical support and ordering replacement keys should you misplace them. Your Vaultek® safe has a unique product number on the inside of the battery door and a 4-digit ID number engraved on the keys. You will need these numbers to register your safe.

- 1 Locate your product number. It is printed on the first page of this user manual and on the inside of the battery door (Figure K/L).
- 2 Find your 4-digit ID number engraved on the keys (Figure M).
- 3 Please visit the Vaultek® website at vaulteksafe.com and click Support/Product Registration.
- 4 Enter the required information in the form and click submit.

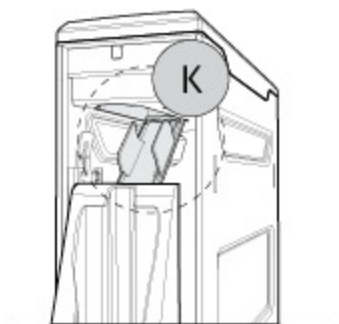


FIGURE K

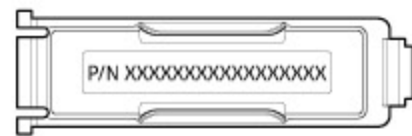


FIGURE L

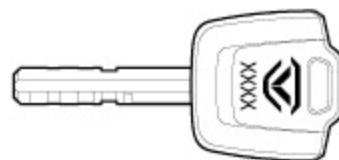


FIGURE M

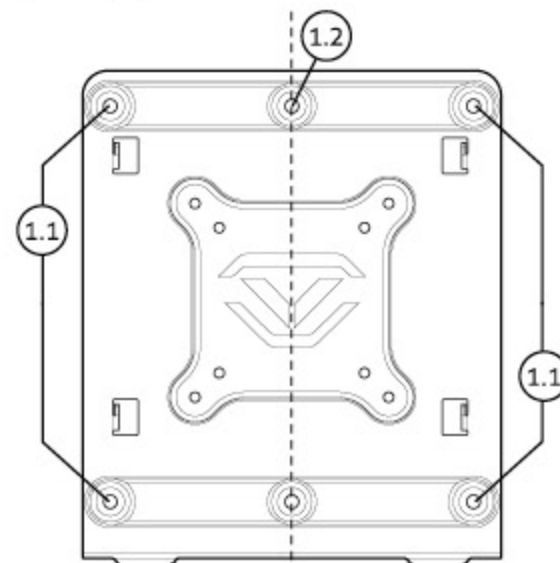
TUTORIALS ONLINE AT VAULTEKSAFE.COM/SLIDERWIFI-SUPPORT

Securing Your Safe Continue on next page for more information about Securing Your Safe.

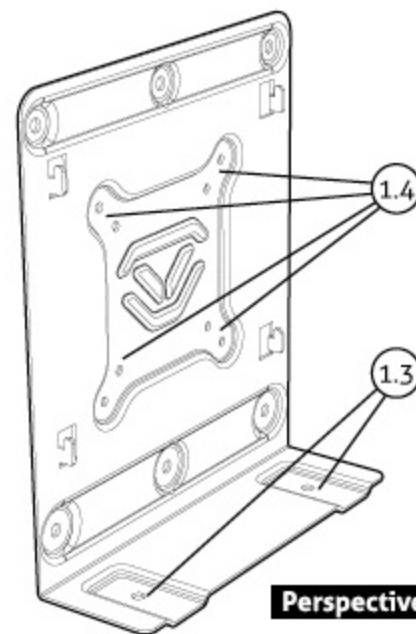
Mounting Plate Configurations

Your Vaultek® safe includes a mounting plate with multiple configurations for mounting. A four point configuration can be used for standard vertical surface mounting (1.1), two point mounting for installing in a vertical wall stud (1.2), and base mounts for horizontal applications (1.3).

The mounting plate also features standard VESA 75mm and 100mm fitment for use with other adapter plates (1.4). Hardware for VESA fitment not included.



Front View



Perspective View

Securing Your Safe Continued

Installing Mounting Bracket

- 1 Locate mounting surface, making sure the safe will have enough clearance to open properly prior to installing.
- 2 Hold mounting plate in place and use a pencil to mark desired hole locations. Drill 7/32" inch pilot holes.
- 3 Using hardware provided fasten mounting plate in place and tighten firmly.

Mounting Safe

TIP: Your safe can install on the mounting plate from the left or right side.

- 1 Locate the 4 receiving slots located on the safe sides, and the 4 tabs located on the mounting plate.
- 2 Fully insert the tabs on the mounting plate into the receiving slots on the safe (Figure N/O), and press the safe downwards to lock in place (Figure P).

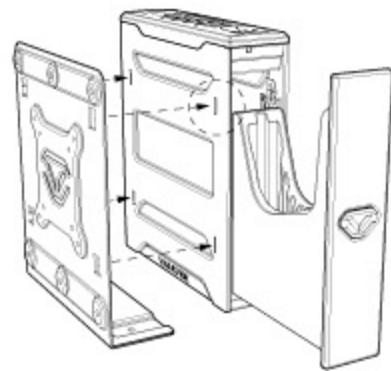


FIGURE N

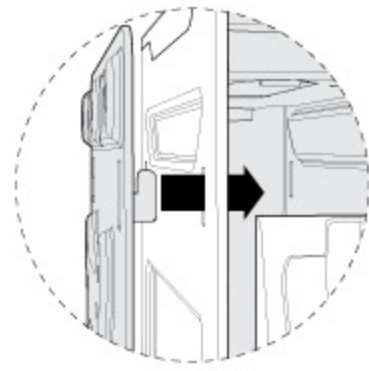


FIGURE O

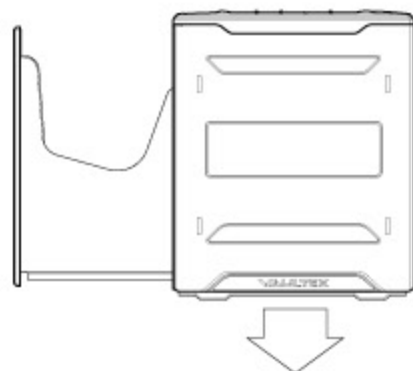


FIGURE P

To Remove Safe from Mounting Plate

- 1 Open the safe. Locate the release clip on the same side as the attached mounting plate.
- 2 Use your thumb or finger to pull the release clip back, and lift the safe off the mount at the same time (see Figure Q/R). The safe will not remove without pulling the release clip back.

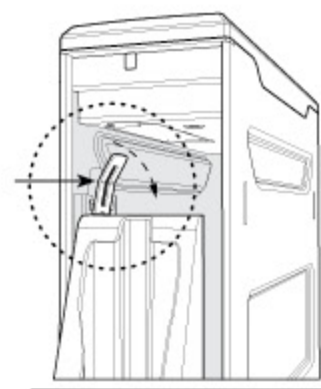


FIGURE Q

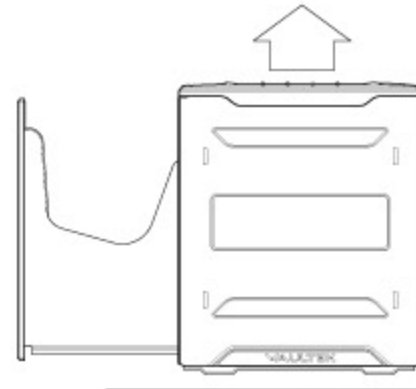


FIGURE R

Aftermarket Configuration

Your mounting plate features additional pre-drilled holes for the addition of aftermarket brackets or modifications (see Figure 1.4 on page 18) using VESA standard fitment. This is great if the environment requires the safe to be configured in a certain manner beyond the standard mounting options available.

TUTORIALS ONLINE AT VAULTEKSAFE.COM/SLIDERWIFI-SUPPORT

Battery

Q: Can I keep the safe plugged in at all times?

A: Leaving your safe plugged in continually will **not** harm the safe or battery.

Q: What happens to the fingerprints that are stored in my Vaultek® safe when the battery dies?

A: The safe retains all fingerprints in the event of battery failure. Once the power is restored by inserting the AC adapter cable, the unit will function as it did before the power loss.

Q: What type of battery does my Vaultek® safe use?

A: Use a 3.7V 18650 rechargeable lithium-ion battery with a flat top. A minimum 2000 mAh capacity is required, however 2200 mAh or higher can be used to increase operation time. This type battery is commonly available and higher capacity batteries are available at vaulteksafe.com.

Q: Can I use a battery of more than 2000 mAh?

A: Yes, a minimum 2000 mAh capacity is required, however 2200 mAh or higher can be used to increase operation time.

Fingerprint Scanner (NSL20i Only)

Q: How do I improve fingerprint success rate?

A: Refer to page 09 for tips.

Q: If I cut my finger, does the fingerprint heal the same as before and will it open my safe?

A: Usually yes, although if the cut is significant or requires stitches scar tissue may form as a result causing a change in your fingerprint. That is why we recommend enrolling additional user fingerprints and also fingerprints from your other hand.

Q: Will my Vaultek® safe scan my finger correctly when my finger/fingerprint is wrinkled after bathing or swimming?

A: The Vaultek® safe has been designed to be very sensitive when authenticating and matching fingerprints. The unit will open when your fingerprint has increased moisture from an average shower or swim. However, extreme water retention due to extended time in the water will cause aspects of your fingerprint to change for a short period. If this happens, fingerprint access to your safe may be denied until your fingerprint returns to its normal condition. The keypad will not be affected and will still function normally to open the safe.

Keys

Q: What happens if I lose the keys?

A: First, make sure you register your safe in the event you do lose your keys. Visit Support at vaulteksafe.com for assistance in replacing a set of keys. Be prepared to provide your order details and Product Number.

Models

Q: What other models are available?

A: Refer to our website to see all the available models.

Traveling

Q: Can I travel with my Vaultek® safe through US Customs or TSA Security at the airport?

A: Yes, there are no restrictions on carrying this type of item. Please be aware that you may be asked to open your safe. Rather than passing it through x-ray, we recommend that an enrolled user be present during the transport of this item in case such a request is made by a government authority. If transporting a firearm, be sure the safe is checked or included with checked luggage and that you notify your airline agent at check in.

If you experience any issues with your safe, try the following solutions.

Smart Key is not working.

A: After pairing you need to assign an entry mode. Refer to pages 13 and 14. After Smart Key is paired you need to assign to either On Demand or Progressive entry mode, otherwise Smart Key will disable after pairing.

Fingerprint scanner works sometimes and not others. (NSL20i Only)

A: We have a few suggestions to help improve the success rate on page 09.

The keypad is not responding

A: Open and close the battery door. This is a soft reset for the safe. See if you are able to open the safe using the keypad or reprogram the safe's master code. If you are still experiencing issues please contact our support at vaulteksafe.com under Support for assistance.

Sound is not working.

A: To toggle the sound ON/OFF press and hold keys '1' and '3' together for 3 seconds. If the '2' key glows GREEN, the sound is ON; if the '2' key glows RED, the sound is OFF. If the sound is toggled on and you still can't hear it, have someone in your house listen. The tones are high pitch.

Unable to change master code.

A: Refer to page 08 of the user manual or check our tutorials online at vaulteksafe.com/sliderwifi-support.

Additional Troubleshooting available at www.vaulteksafe.com/sliderwifi-support.

Soft Reset: Open and close the battery door. This is a soft reset to the safe.

STOP! Do not return to retailer. If you have any questions about your Vaultek® safe or need help configuring the system, please visit Support at vaulteksafe.com.

Customer Support

If you have a problem with your Vaultek® safe that is not answered in the FAQ section of this manual, we encourage you to visit www.vaulteksafe.com/sliderwifi-support.

Limited Warranty (Terms and Conditions)

VAULTEK® IS COMMITTED TO PROVIDING PRODUCTS OF HIGH QUALITY AND VALUE AND MAKES EVERY EFFORT TO ENSURE ITS PRODUCTS ARE FREE OF DEFECTS.

Vaultek® guarantees your safe will be free of defects in materials or workmanship for a period of two years from the date of original purchase from an authorized dealer and three years with verified product registration.

The warranty is only valid for the original purchaser and not transferable. This warranty is only valid for products purchased and operated in the U.S. This warranty does not cover abuse, misuse, use in any manner for which is not designed, neglected, modification, damage inadvertently caused by the user, accidents and/or tampering.

If service is needed Vaultek will, at its option, exchange or repair without charge for parts or labor. Upon authorization of warranty service, customers are responsible for securely packaging product. Additionally, customers are responsible for costs of shipping to and from Vaultek service center.

If the claimed defect cannot be identified or reproduced, customers will be held responsible for the costs incurred. Please have the following information available before you begin a claim with Vaultek:

- Purchaser's name, mailing address, email address, and a phone number.
- Copy of receipt or online order number (if purchased directly from us or Amazon)
- Authorized Dealer Name (if applicable)
- Detailed description of the problem

NEITHER SELLER NOR MANUFACTURER SHALL BE LIABLE FOR ANY INJURY, LOSS OR DAMAGE, DIRECT OR CONSEQUENTIAL, ARISING OUT OF THE USE OF, OR THE INABILITY TO USE THE VAULTEK® SAFE.

FCC

This device has been evaluated to meet general RF exposure requirement, and this device can be used in portable exposure condition without restriction.

FCC statements:

This device complies with part 15 of the FCC rules. Operation is subject to the following two conditions: (1) this device may not cause harmful interference, and (2) this device must accept any interference received, including interference that may cause undesired operation.

NOTE: The manufacturer is not responsible for any radio or TV interference caused by unauthorized modifications or changes to this equipment. Such modifications or changes could void the user's authority to operate the equipment.

NOTE: This equipment has been tested and found to comply with the limits for a Class B digital device, pursuant to part 15 of the FCC Rules. These limits are designed to provide reasonable protection against harmful interference in a residential installation. This equipment generates uses and can radiate radio frequency energy and, if not installed and used in accordance with the instructions, may cause harmful interference to radio communications. However, there is no guarantee that interference will not occur in a particular installation. If this equipment does cause harmful interference to radio or television reception, which can be determined by turning the equipment off and on, the user is encouraged to try to correct the interference by one or more of the following measures:

- Reorient or relocate the receiving antenna.
- Increase the separation between the equipment and receiver.
- Connect the equipment into an outlet on a circuit different from that to which the receiver is connected.
- Consult the dealer or an experienced radio/TV technician for help.

TUTORIALS ONLINE AT VAULTEKSAFE.COM/SLIDERWIFI-SUPPORT



VAULTEK®

37 North Orange Ave. Suite 800B Orlando, FL 32801

VAULTEKSAFE.COM