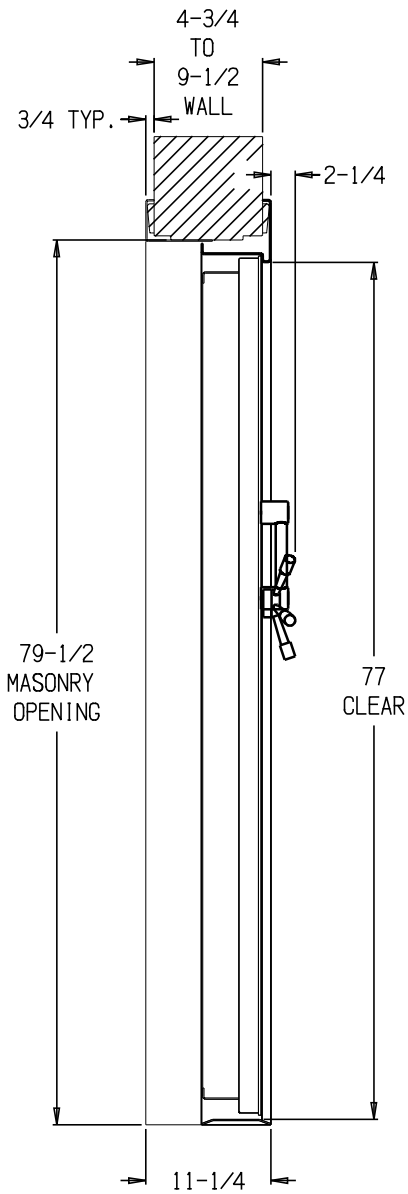
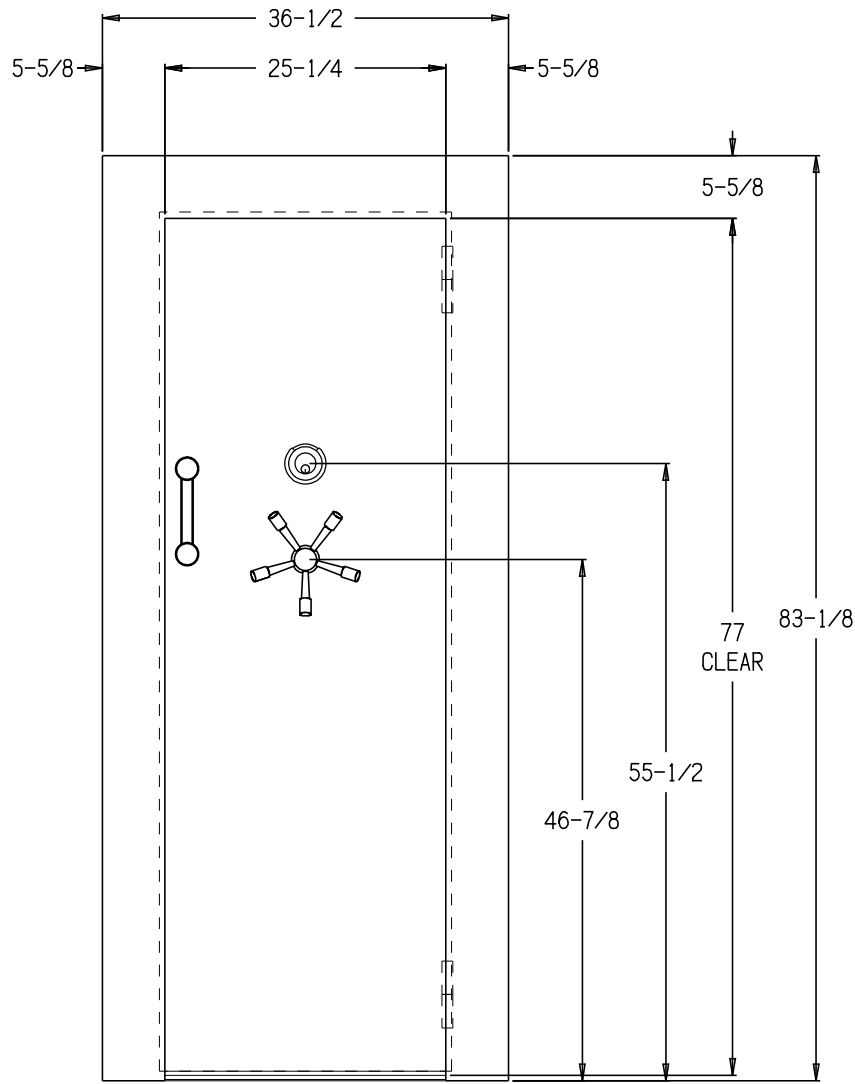


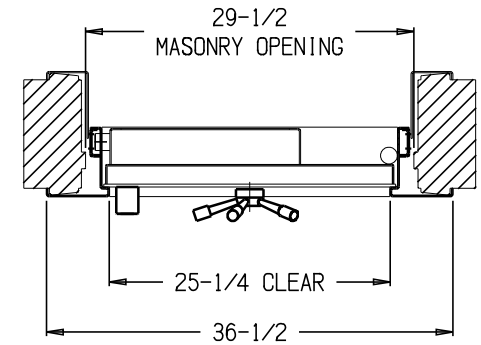
REVISIONS			
REV	DESCRIPTION	DATE	BY
A	CHANGE DOOR THICKNESS AND WEIGHT	03 MAR 20	I.S.



SECTION VIEW



FRONT VIEW



PLAN VIEW SECTION DOOR CLOSED

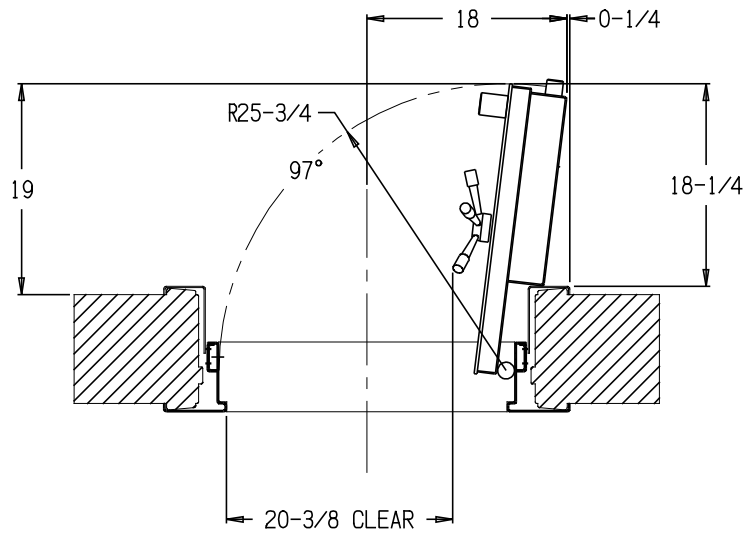


CUSTOMER SIGNATURE	
CUSTOMER NAME	
DATE	
COMPANY NAME	
PROPRIETARY INFORMATION UNAUTHORIZED RELEASE WITHOUT EXPRESS WRITTEN PERMISSION OF AMERICAN SECURITY PRODUCTS CO EXPRESSLY PROHIBITED	ML #
DRAWN I. Solis	30 JAN 20

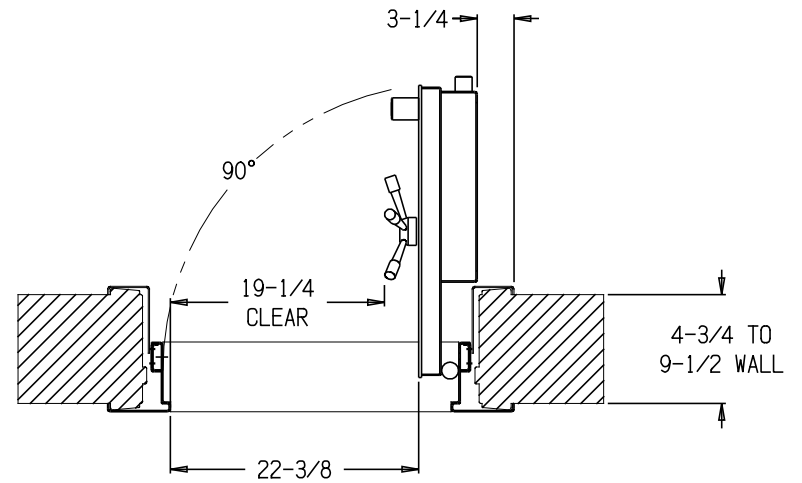


VD8030BFQIS Vault Door	
B Q #	SK2020-051
SCALE 1/12	DO NOT SCALE DWG
SHEET 1 OF 3	A

REVISIONS			
REV	DESCRIPTION	DATE	BY
A	CHANGE DOOR THICKNESS AND WEIGHT	03 MAR 20	I.S.




PLAN VIEW SECTION  
97° DOOR



PLAN VIEW SECTION  
90° DOOR



CUSTOMER SIGNATURE		 VD8030BFQIS Vault Door		
CUSTOMER NAME				
DATE				
COMPANY NAME				
PROPRIETARY INFORMATION UNAUTHORIZED RELEASE WITHOUT EXPRESS WRITTEN PERMISSION OF AMERICAN SECURITY PRODUCTS CO EXPRESSLY PROHIBITED	ML #	B □ #	SK2020-051	A
DRAWN I. Solis	30 JAN 20	SCALE 1/12	DO NOT SCALE DWG	SHEET 2 OF 3


SK2020-051	F	A
------------	---	---

REVISIONS			
REV	DESCRIPTION	DATE	BY
A	CHANGE DOOR THICKNESS AND WEIGHT	03 MAR 20	I.S.

**SPECIFICATIONS**

1. Door, Clear Opening: 77 H x 22-3/8 W at 90° Door Swing (19-1/4 W at Handle). 2" Thick Door Constructed with a 1/4" Thick Steel Outer Plate, and a Steel Inner Plate Filled with DryLight Fire Insulating Material. Equipped with a UL Listed Three-Wheel Key-Change Combination Lock with Spy-Proof Key-Locking Dial, Pull Handle, 5-Spoke Handle, Relocking Devices, an Inside Release Mechanism and Five (5) 1-1/2" Dia. Chrome-Plated Locking Bolts. Lock Protected by a Drill-Resistant Hardplate.
2. Wall Opening: 79-1/2 H x 29-1/2 W.
3. Wall Thickness Variation: 4-3/4 to 9-1/2.
4. Approx Weights: Door: 315 lbs.  
 Frame, Main: 106 lbs.  
 Frame, Rear: 67 lbs. Total Weight: 488



CUSTOMER SIGNATURE					
CUSTOMER NAME					
DATE					
COMPANY NAME		VD8030BFQIS Vault Door			
<small>PROPRIETARY INFORMATION          UNAUTHORIZED RELEASE WITHOUT          EXPRESS WRITTEN PERMISSION OF          AMERICAN SECURITY PRODUCTS CO          EXPRESSLY PROHIBITED</small>	ML #	B Q #	SK2020-051	A	
DRAWN I. Solis		30 JAN 20	SCALE 1/12	DO NOT SCALE DWG	SHEET 3 OF 3