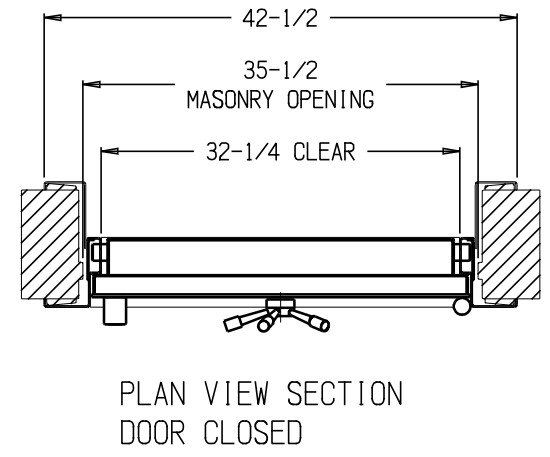
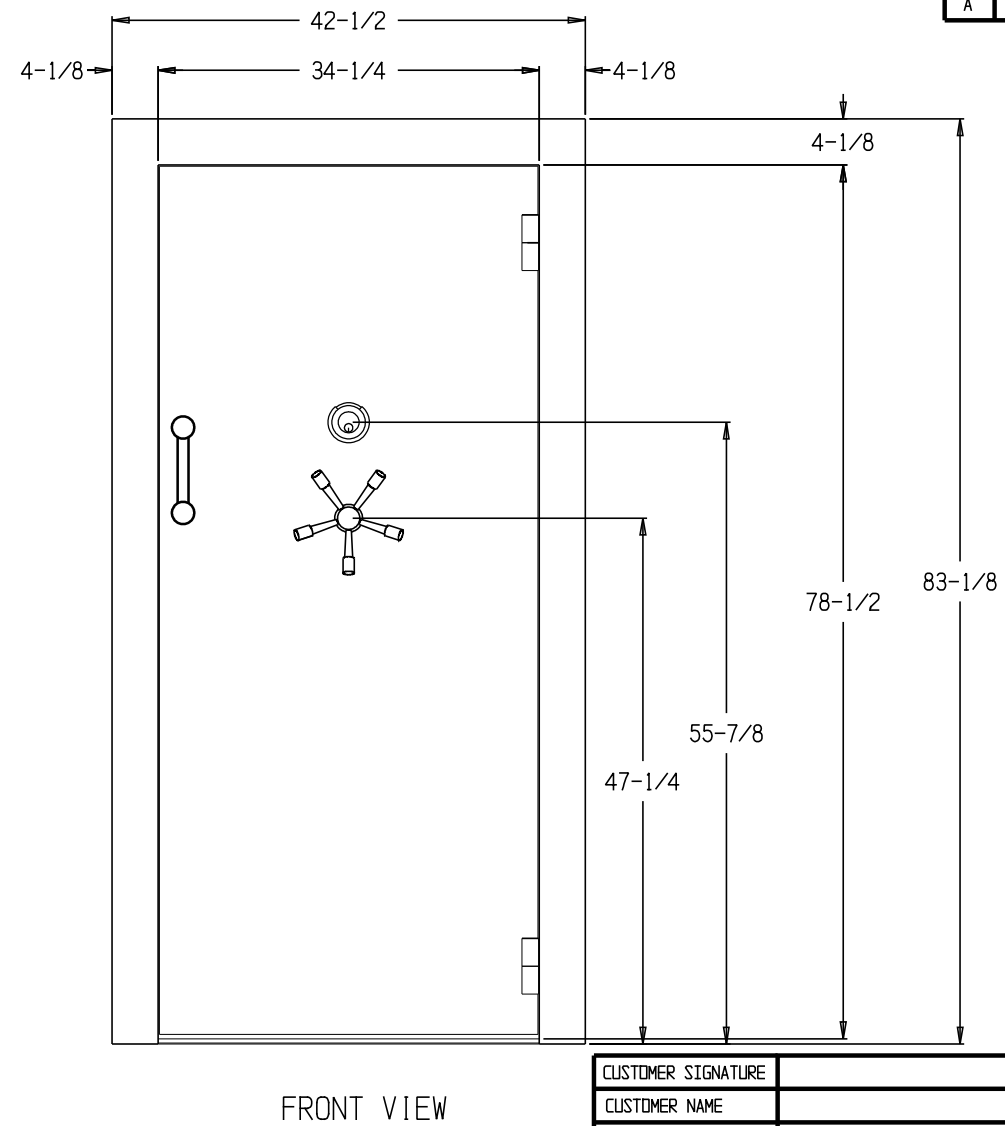
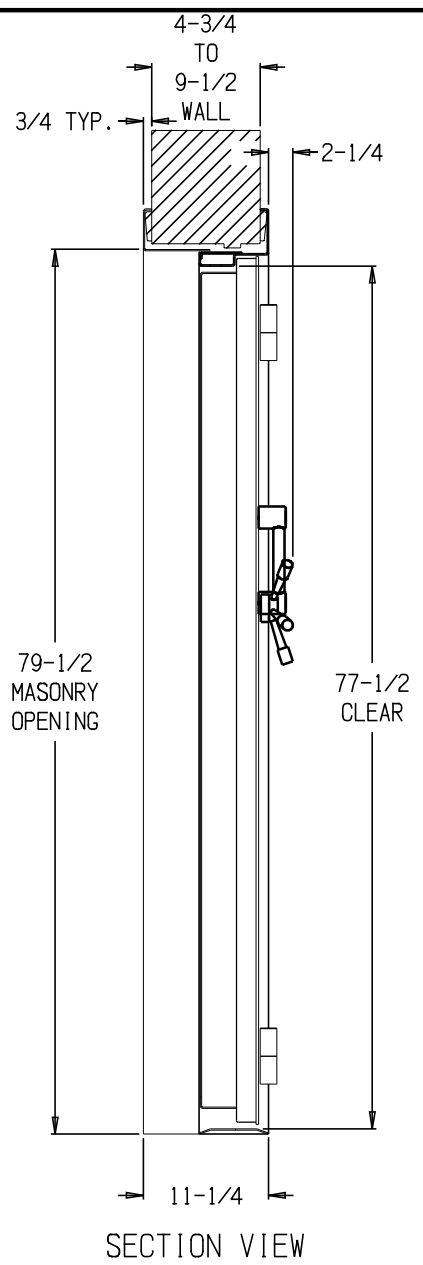


SK2020-050 1 A

REVISIONS			
REV	DESCRIPTION	DATE	BY
A	CHANGE DOOR THICKNESS AND WEIGHT	03 MAR 20	I.S.



CUSTOMER SIGNATURE	
CUSTOMER NAME	
DATE	
COMPANY NAME	
PROPRIETARY INFORMATION UNAUTHORIZED RELEASE WITHOUT EXPRESS WRITTEN PERMISSION OF AMERICAN SECURITY PRODUCTS CO EXPRESSLY PROHIBITED	ML #
DRAWN I. Solis	30 JAN 20

AMSEC
AMERICAN SECURITY

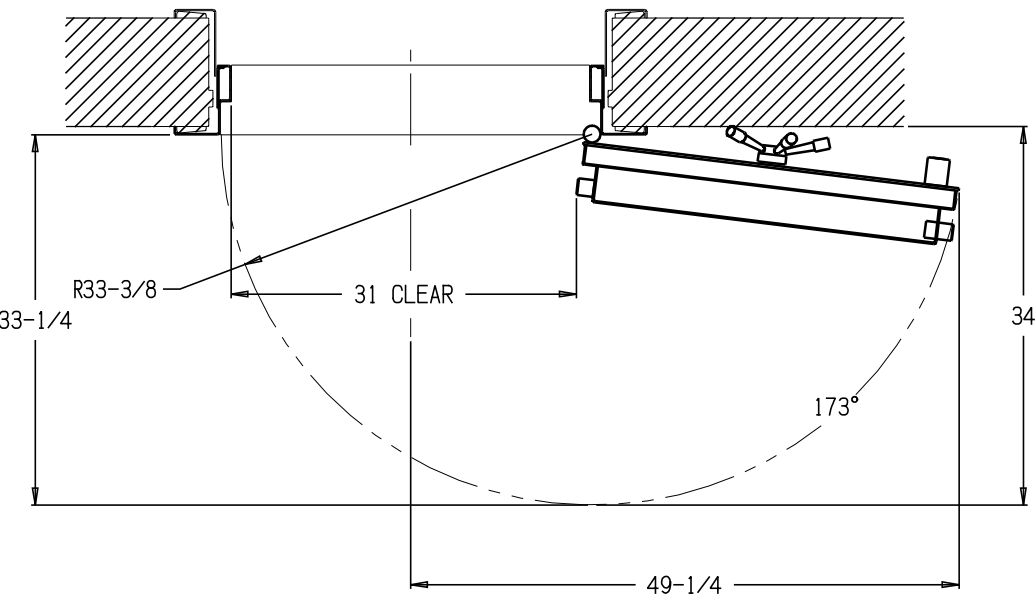
VD8036BFQ Vault Door

B Q # SK2020-050 A

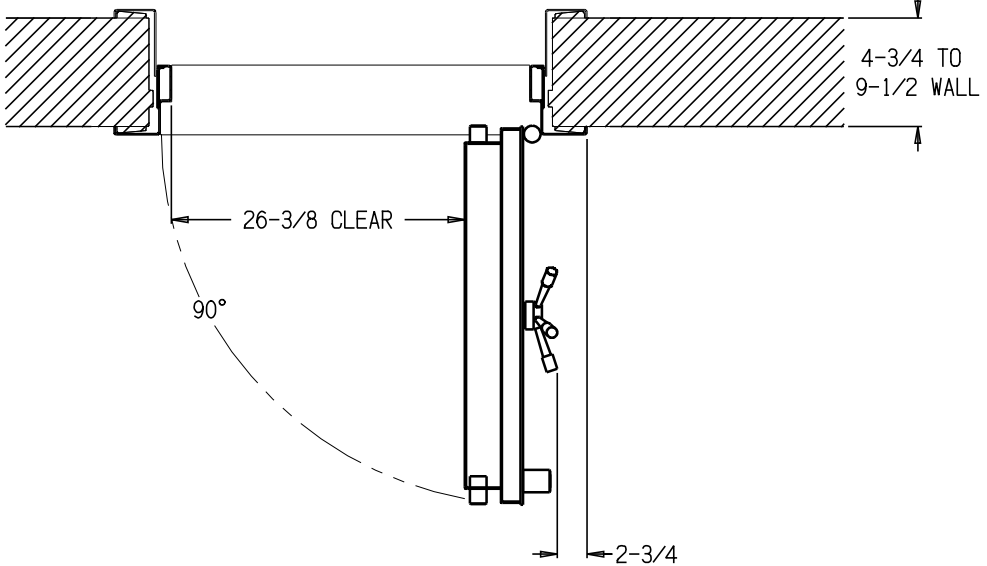
SCALE 1/12 DO NOT SCALE DWG SHEET 1 OF 3

SK2020-050 2 A

REVISIONS			
REV	DESCRIPTION	DATE	BY
A	CHANGE DOOR THICKNESS AND WEIGHT	03 MAR 20	I.S.




PLAN VIEW SECTION
173° DOOR



PLAN VIEW SECTION
90° DOOR




CUSTOMER SIGNATURE			
CUSTOMER NAME			
DATE			
COMPANY NAME		VD8036BFQ Vault Door	
PROPRIETARY INFORMATION UNAUTHORIZED RELEASE WITHOUT EXPRESS WRITTEN PERMISSION OF AMERICAN SECURITY PRODUCTS CO EXPRESSLY PROHIBITED	ML #	B Q #	SK2020-050 A
DRAWN I. Solis	30 JAN 20	SCALE 1/12	DO NOT SCALE DWG SHEET 2 OF 3

REVISIONS			
REV	DESCRIPTION	DATE	BY
A	CHANGE DOOR THICKNESS AND WEIGHT	03 MAR 20	I.S.

SPECIFICATIONS

1. Door, Clear Opening: 77-1/2 H x 26-3/8 W at 90°
 Door Swing, 77-1/2 H x 31 W at Max. Door Swing. 2" Thick Door Constructed with a 1/4" Thick Steel Outer Plate, and a Steel Inner Plate Filled with DryLight Fire Insulating Material. Equipped with a UL Listed Three-Wheel Key-Change Combination Lock with Spy-Proof Key-Locking Dial, Pull Handle, 5-Spoke Handle, Relocking Devices, an Inside Release Mechanism and Five (5) 1-1/2" Dia. Chrome-Plated Locking Bolts. Lock Protected by a Drill-Resistant Hardplate.
2. Wall Opening: 79-1/2 H x 35-1/2 W.
3. Wall Thickness Variation: 4-3/4" to 9-1/2".
4. Approx Weights: Door: 409 lbs.
 Frame, Main: 122 lbs.
 Frame, Rear: 72 lbs. Total Weight: 603



CUSTOMER SIGNATURE				
CUSTOMER NAME				
DATE				
COMPANY NAME		VD8036BFQ Vault Door		
<small>PROPRIETARY INFORMATION UNAUTHORIZED RELEASE WITHOUT EXPRESS WRITTEN PERMISSION OF AMERICAN SECURITY PRODUCTS CO EXPRESSLY PROHIBITED</small>	ML #	B Q #	SK2020-050	A
DRAWN I. Solis 30 JAN 20		SCALE 1/12	DO NOT SCALE DWG	SHEET 3 OF 3