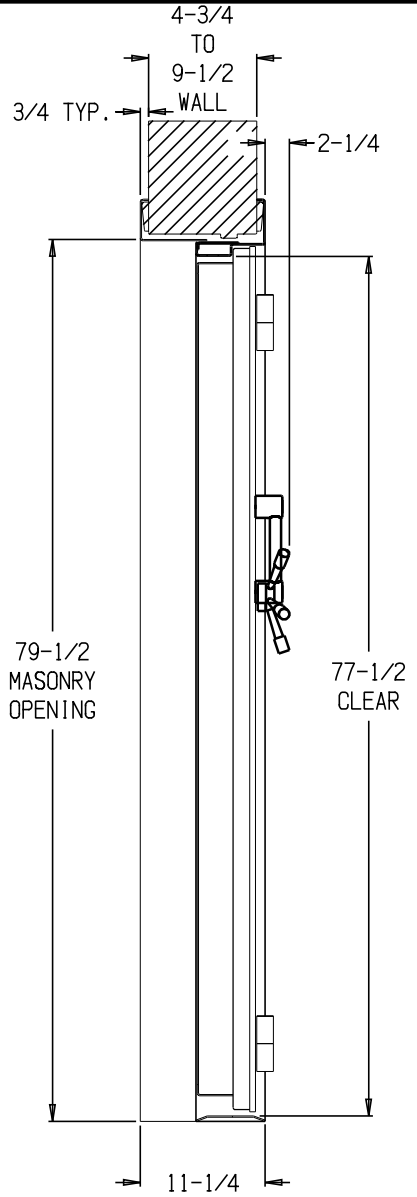
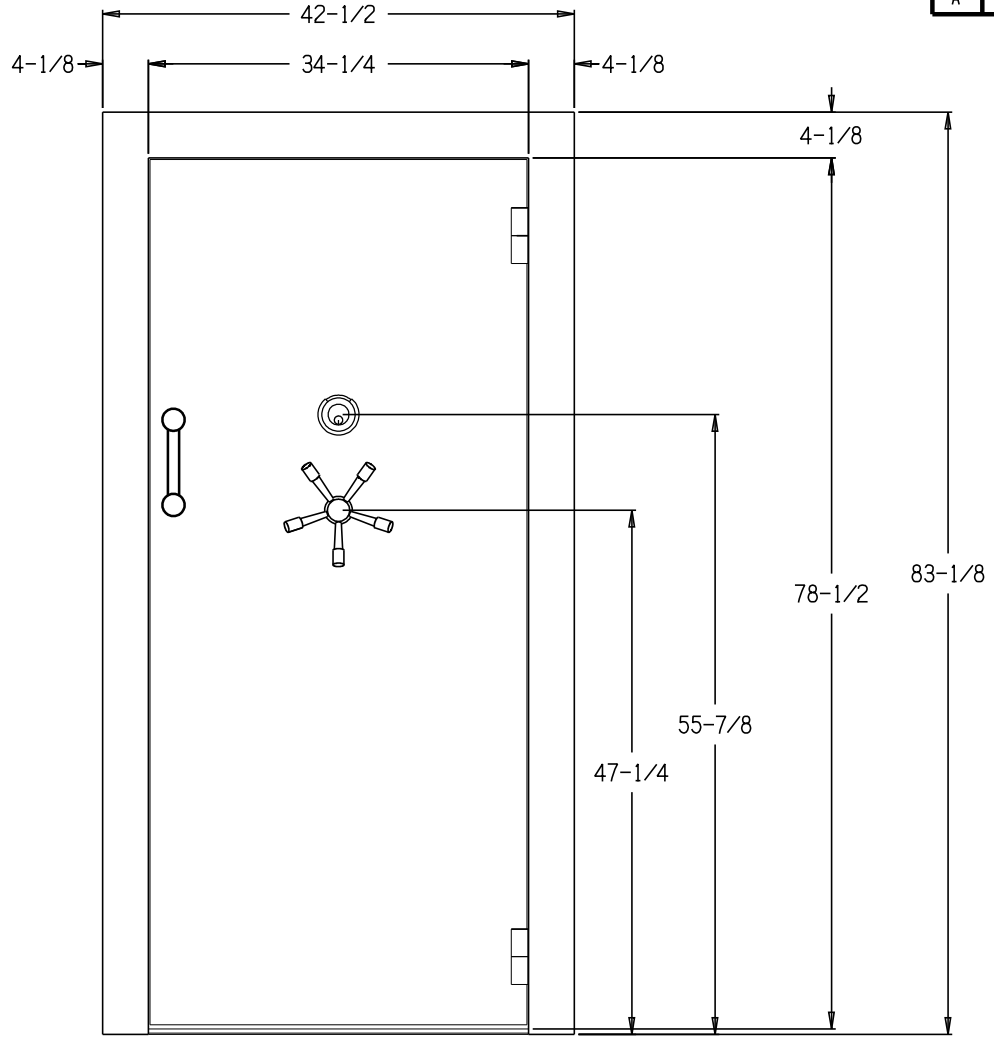


SK2011-508 1 A

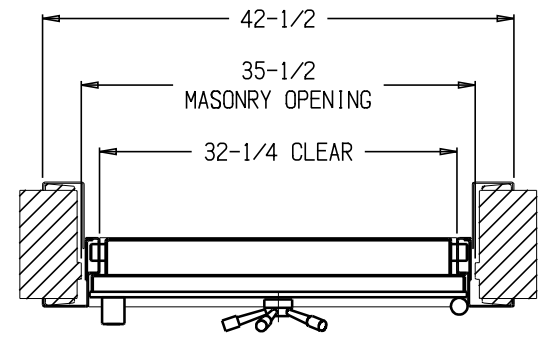
REVISIONS			
REV	DESCRIPTION	DATE	BY
A	ADDED CONSTRUCTION DETAILS	25 OCT 12	RFT



SECTION VIEW



FRONT VIEW



PLAN VIEW SECTION
DOOR CLOSED



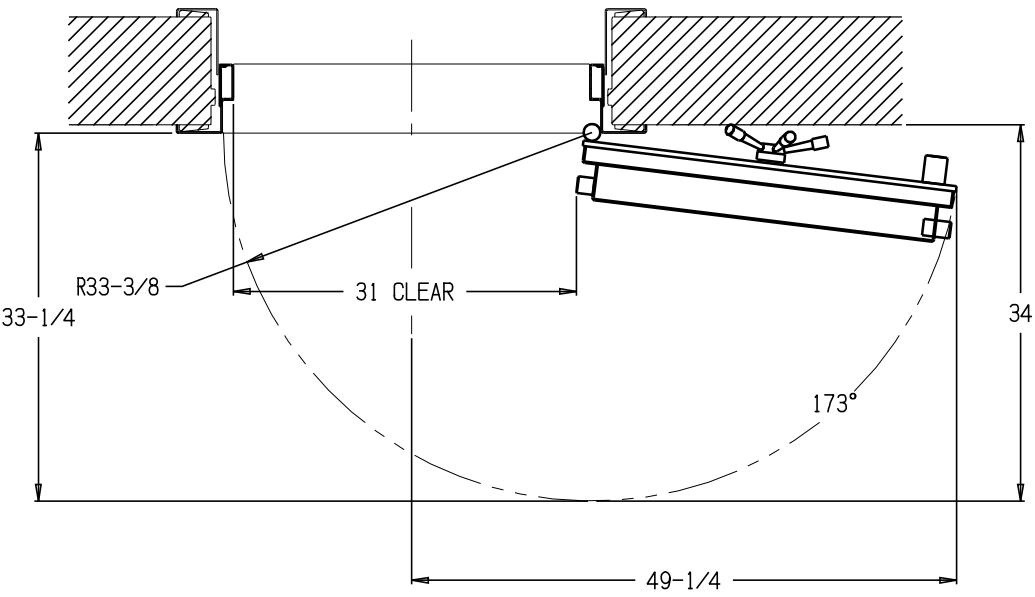
CUSTOMER SIGNATURE	
CUSTOMER NAME	
DATE	
COMPANY NAME	
PROPRIETARY INFORMATION UNAUTHORIZED RELEASE WITHOUT EXPRESS WRITTEN PERMISSION OF AMERICAN SECURITY PRODUCTS CO EXPRESSLY PROHIBITED	ML #
DRAWN R. Tucker	27 SEP 11



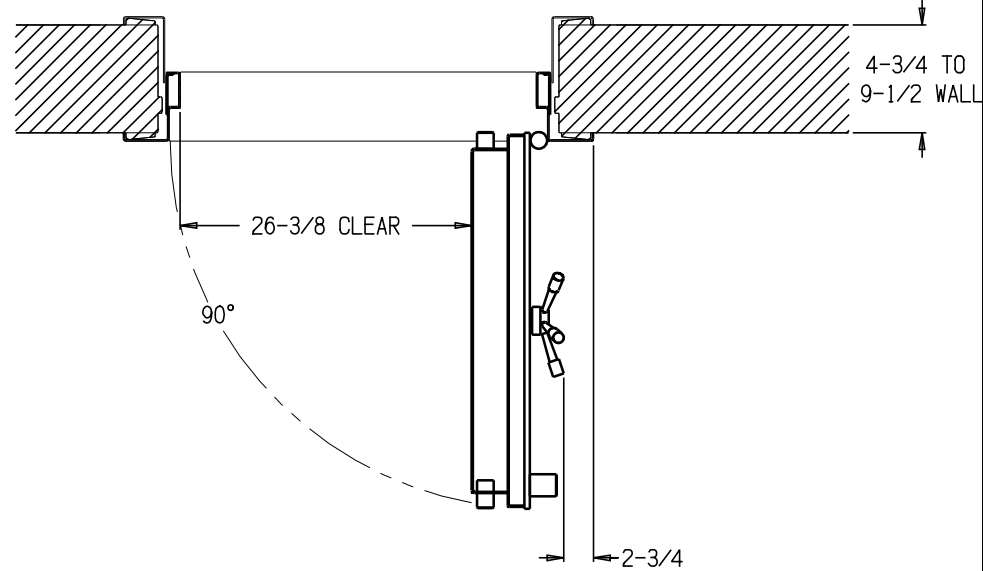
VD8036BF Vault Door	
B Q #	SK2011-508 A
SCALE 1/12	DO NOT SCALE DWG
SHEET 1 OF 3	

SK2011-508 2 A

REVISIONS			
REV	DESCRIPTION	DATE	BY
A	ADDED CONSTRUCTION DETAILS	25 OCT 12	RFT




PLAN VIEW SECTION
173° DOOR



PLAN VIEW SECTION
90° DOOR



CUSTOMER SIGNATURE				
CUSTOMER NAME				
DATE				
COMPANY NAME		VDB036BF Vault Door		
<small>PROPRIETARY INFORMATION UNAUTHORIZED RELEASE WITHOUT EXPRESS WRITTEN PERMISSION OF AMERICAN SECURITY PRODUCTS CO EXPRESSLY PROHIBITED</small>	ML #	B □ #	SK2011-508	A
DRAWN R. Tucker 27 SEP 11		SCALE 1/12	DO NOT SCALE DWG	SHEET 2 OF 3

REVISIONS			
REV	DESCRIPTION	DATE	BY
A	ADDED CONSTRUCTION DETAILS	25 OCT 12	RFT

SPECIFICATIONS

1. Door, Clear Opening: 77-1/2 H x 26-3/8 W at 90°
 Door Swing, 77-1/2 H x 31 W at Max. Door
 Swing. 2" Thick Door Constructed with a 1/2"
 Thick Steel Outer Plate, and a Steel Inner Plate
 Filled with Fire Insulating Material. Equipped
 with a UL Listed Three-Wheel Key-Change Combination
 Lock with Spy-Proof Key-Locking Dial, Pull Handle,
 5-Spoke Handle, Relocking Devices, an Inside
 Release Mechanism and Five (5) 1-1/2" Dia.
 Chrome-Plated Locking Bolts. Lock Protected by a
 Drill-Resistant Hardplate.
2. Wall Opening: 79-1/2 H x 35-1/2 W.
3. Wall Thickness Variation: 4-3/4" to 9-1/2".
4. Approx Weights: Door: 625 lbs.
 Frame, Main: 122 lbs.
 Frame, Rear: 72 lbs. Total Weight: 819



CUSTOMER SIGNATURE				
CUSTOMER NAME				
DATE				
COMPANY NAME		VD8036BF Vault Door		
<small>PROPRIETARY INFORMATION UNAUTHORIZED RELEASE WITHOUT EXPRESS WRITTEN PERMISSION OF AMERICAN SECURITY PRODUCTS CO EXPRESSLY PROHIBITED</small>	ML #	B Q #	SK2011-508	A
	DRAWN R. Tucker	27 SEP 11	SCALE 1/12	DO NOT SCALE DWG