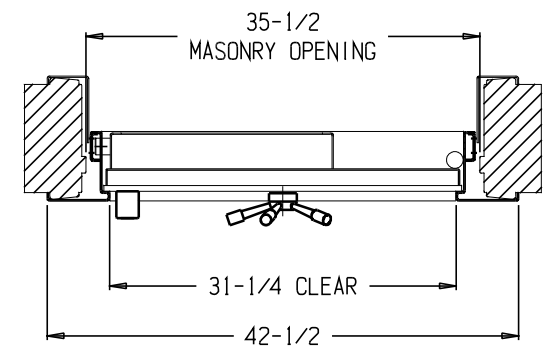
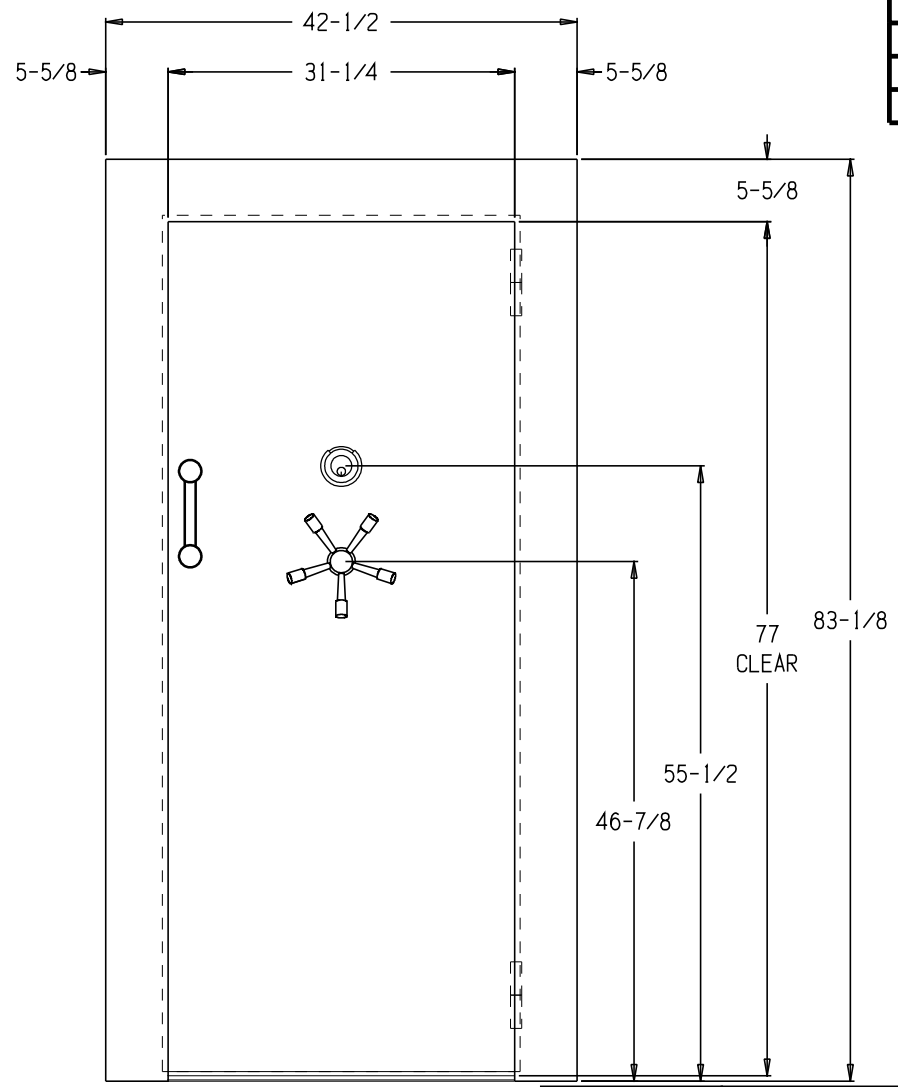
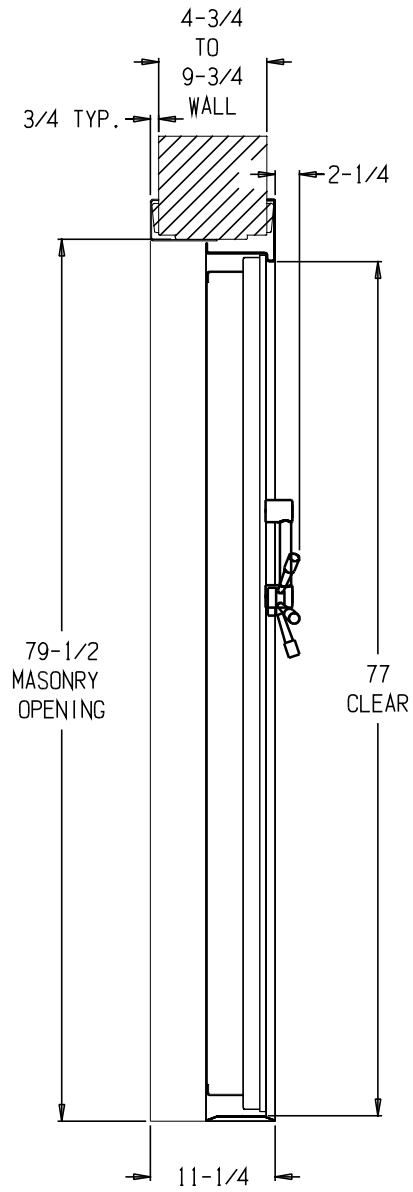
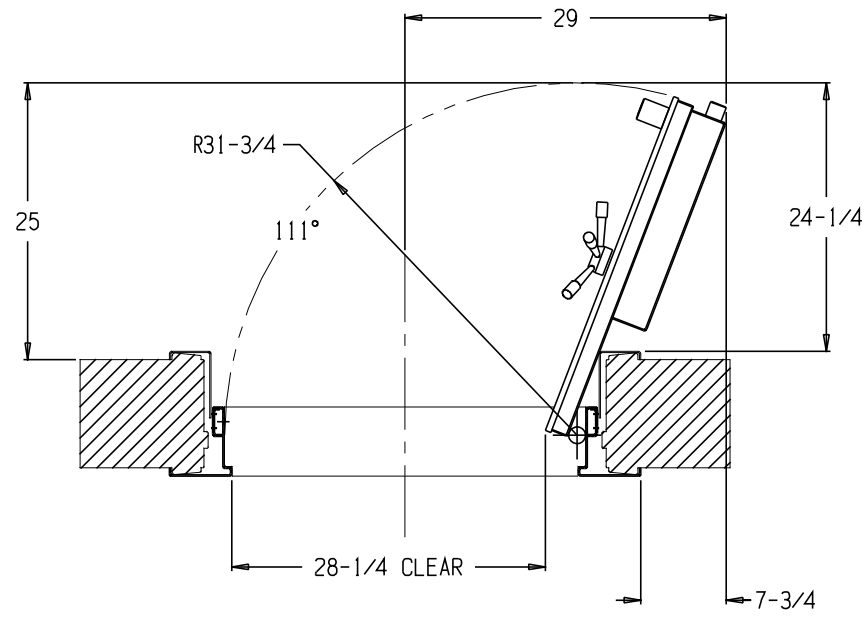


REVISIONS			
REV	DESCRIPTION	DATE	BY
A	ADDED ADDITIONAL CLEAR WIDTH DIMENSION	12 DEC 11	R.F.T.
B	UPDATED HINGES	20 AUG 12	R.F.T.
C	ADDED CONSTRUCTION DETAILS	18 OCT 12	R.F.T.

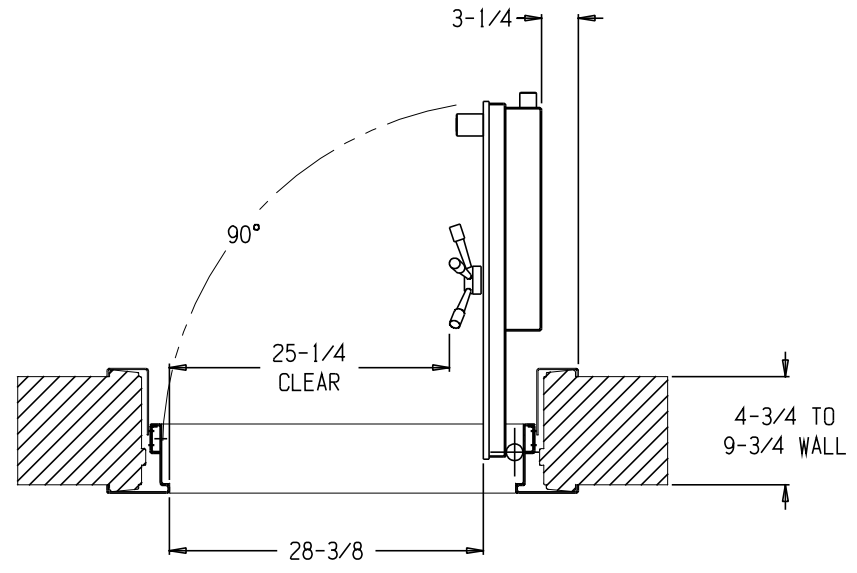


CUSTOMER SIGNATURE		<b>AMSEC</b> AMERICAN SECURITY PRODUCTS COMPANY
CUSTOMER NAME		
DATE		
COMPANY NAME		VD8036BFIS Vault Door
PROPRIETARY INFORMATION UNAUTHORIZED RELEASE WITHOUT EXPRESS WRITTEN PERMISSION OF AMERICAN SECURITY PRODUCTS CO EXPRESSLY PROHIBITED	ML #	B Q #
		SK2011-510
DRAWN R. Tucker	27 SEP 11	SCALE 1/12 DO NOT SCALE DWG SHEET 1 OF 3

REVISIONS			
REV	DESCRIPTION	DATE	BY
A	ADDED ADDITIONAL CLEAR WIDTH DIMENSION	12 DEC 11	R.F.T.
B	UPDATED HINGES	20 AUG 12	R.F.T.
C	ADDED CONSTRUCTION DETAILS	18 OCT 12	R.F.T.



PLAN VIEW SECTION  
111° DOOR



PLAN VIEW SECTION  
90° DOOR

CUSTOMER SIGNATURE		<b>AMSEC</b> AMERICAN SECURITY PRODUCTS COMPANY	
CUSTOMER NAME			
DATE		VD8036BFIS Vault Door	
COMPANY NAME			
PROPRIETARY INFORMATION UNAUTHORIZED RELEASE WITHOUT EXPRESS WRITTEN PERMISSION OF AMERICAN SECURITY PRODUCTS CO EXPRESSLY PROHIBITED	ML #	B Q #	SK2011-510 C
DRAWN R. Tucker	27 SEP 11	SCALE 1/12	DO NOT SCALE DWG SHEET 2 OF 3

REVISIONS			
REV	DESCRIPTION	DATE	BY
A	ADDED ADDITIONAL CLEAR WIDTH DIMENSION	12 DEC 11	R.F.T.
B	UPDATED HINGES	20 AUG 12	R.F.T.
C	ADDED CONSTRUCTION DETAILS	18 OCT 12	R.F.T.

SPECIFICATIONS

- Door, Clear Opening: 77 H x 28-3/8 W at 90° Door Swing (25-1/4 W at Handle). 2" Thick Door Constructed with a 1/2" Thick Steel Outer Plate, and a Steel Inner Plate Filled with Fire Insulating Material. Equipped with a UL Listed Three-Wheel Key-Change Combination Lock with Spy-Proof Key-Locking Dial, Pull Handle, 5-Spoke Handle, Relocking Devices, an Inside Release Mechanism, and Five (5) 1-1/2" Dia. Chrome-Plated Locking Bolts. Lock Protected by a Drill-Resistant Hardplate.
- Wall Opening: 79-1/2 H x 35-1/2 W.
- Wall Thickness Variation: 4-3/4 to 9-3/4.
- Approx Weights: Door: 612 lbs.  
Frame, Main: 111 lbs.  
Frame, Rear: 69 lbs. Total Weight: 792

CUSTOMER SIGNATURE		<b>AMSEC</b> AMERICAN SECURITY PRODUCTS COMPANY		
CUSTOMER NAME				
DATE		VD8036BFIS Vault Door		
COMPANY NAME				
<small>PROPRIETARY INFORMATION  UNAUTHORIZED RELEASE WITHOUT  EXPRESS WRITTEN PERMISSION OF  AMERICAN SECURITY PRODUCTS CO  EXPRESSLY PROHIBITED</small>	ML #	B Q #	SK2011-510	C
	DRAWN R. Tucker	27 SEP 11	SCALE 1/12	DO NOT SCALE DWG