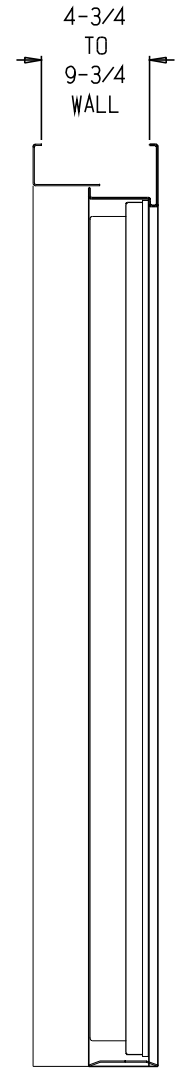
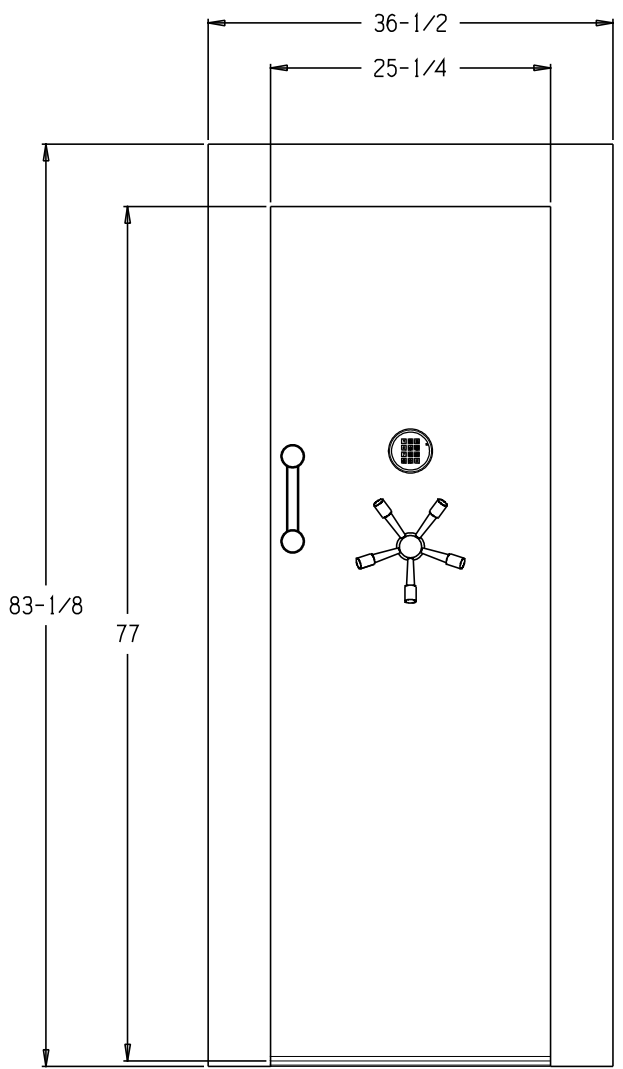


SK2011-257 | 1 | B

REVISIONS			
REV	DESCRIPTION	DATE	BY
A	ADDED ADDITIONAL CLEAR WIDTH DIMENSION	12 DEC 11	R.F.T.
B	UPDATED HINGES	17 AUG 12	R.F.T.



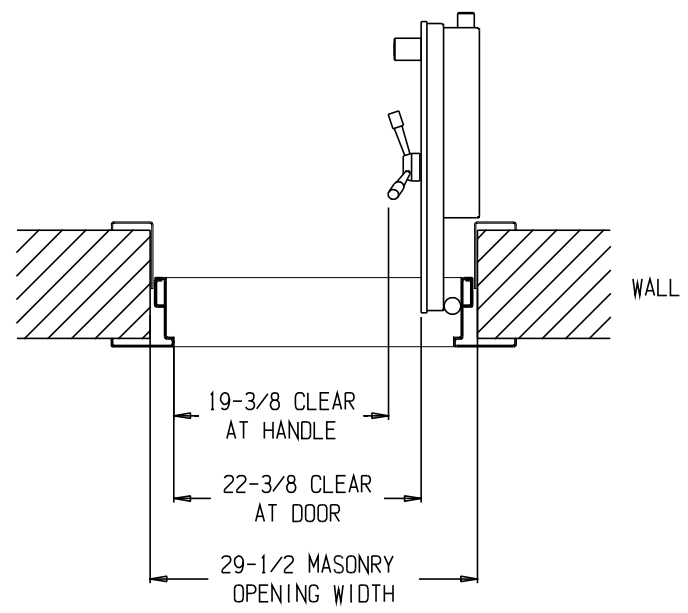
SECTION VIEW



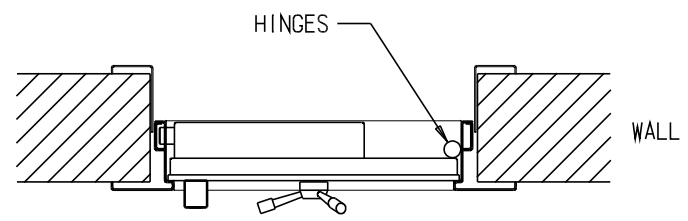
FRONT VIEW

CUSTOMER SIGNATURE		<b>AMSEC</b> AMERICAN SECURITY PRODUCTS COMPANY		
CUSTOMER NAME				
DATE				
COMPANY NAME		VD8030BFIS Vault Door with ESL10XL		
PROPRIETARY INFORMATION UNAUTHORIZED RELEASE WITHOUT EXPRESS WRITTEN PERMISSION OF AMERICAN SECURITY PRODUCTS CO EXPRESSLY PROHIBITED	ML #	B Q #	SK2011-257	B
DRAWN R. Tucker	28 APR 11	SCALE 1/12	DO NOT SCALE DWG	SHEET 1 OF 2

REVISIONS			
REV	DESCRIPTION	DATE	BY
A	ADDED ADDITIONAL CLEAR WIDTH DIMENSION	12 DEC 11	R.F.T.
B	UPDATED HINGES	17 AUG 12	R.F.T.



PLAN SECTION VIEW  
DOOR OPEN



PLAN SECTION VIEW  
DOOR CLOSED

SPECIFICATIONS

1. Door, Clear Opening: 77 H x 22-3/8 W at 90° Door Swing (19-3/8 W at Handle). 2" Thick Door Constructed with a 1/2" Thick Steel Outer Plate, and a Steel Inner Plate Filled with Fire Insulating Material. Equipped with a UL Listed AMSEC ESL10XL Electronic Keypad Combination Lock, Pull Handle, 5-Spoke Handle, Relocking Devices, an Inside Release Mechanism, and Five (5) 1-1/2" Dia. Chrome-Plated Locking Bolts. Lock Protected by a Drill-Resistant Hardplate.
2. Wall Opening: 79-1/2 H x 29-1/2 W.
3. Wall Thickness Variation: 4-3/4 to 9-3/4.
4. Approx Weights: Door: 499 lbs.  
Frame, Main: 106 lbs.  
Frame, Rear: 67 lbs. Total Weight: 672

CUSTOMER SIGNATURE		<b>AMSEC</b> AMERICAN SECURITY PRODUCTS COMPANY	
CUSTOMER NAME		VD8030BFIS Vault Door with ESL10XL	
DATE			
COMPANY NAME			
PROPRIETARY INFORMATION UNAUTHORIZED RELEASE WITHOUT EXPRESS WRITTEN PERMISSION OF AMERICAN SECURITY PRODUCTS CO EXPRESSLY PROHIBITED	ML #	B Q #	SK2011-257 B
DRAWN R. Tucker	28 APR 11	SCALE 1/12	DO NOT SCALE DWG SHEET 2 OF 2