

Sun/Rain Shield

For use with applicable dome cameras and junction boxes



- Aluminum and SGCC Steel Construction
- Designed for Use with a Dome Camera or with a Junction Box

Technical Specifications

Material	Aluminum and SGCC Steel
Dimensions (W x H x D)	129.30 mm x 127.1 mm x 147.1 mm (5.09 in. x 5.0 in. x 5.79 in.)
Weight	0.25 kg (0.55 lb)
Color	White
Operating Temperature	-40 °C to 60 °C (-40 °F to 140 °F)
Humidity	0% to 90% RH
Applicable Models	Dome Cameras: <ul style="list-style-type: none"> • AxxBLxx (HDCVI Cameras) • NxxBLxx (Network Cameras) Junction Boxes <ul style="list-style-type: none"> • PFA136 • PFA137

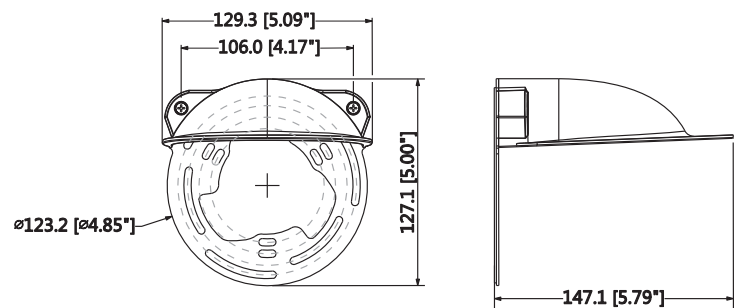
Packaging

Dimensions	154.0 mm x 145.0 mm x 79 mm (6.06 in. x 5.71 in. x 3.11 in.)
Weight	0.30 kg (0.66 lb)

Ordering Information

Type	Part Number	Description
Sun/Rain Shield	PFA200W	Aluminum/SGCC Shield
Hardware Included		1 x Mounting Plate 2 x M4x10 Screws

Dimensions (mm/in.)



Application

