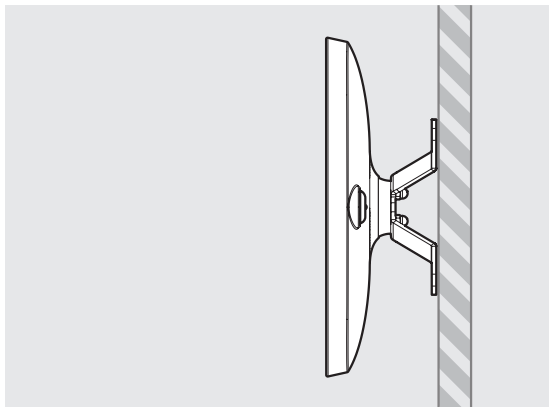


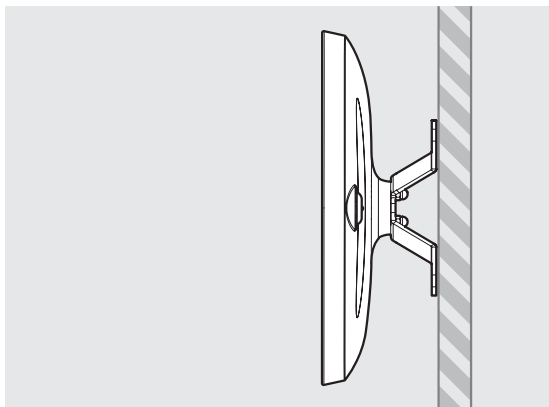
Mini Case supported devices:

- iPad Mini 1
- iPad Mini 2
- iPad Mini 3
- iPad Mini 4



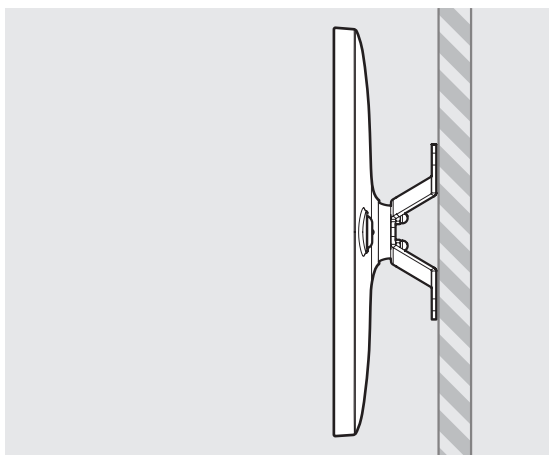
Midi Case supported devices:

- iPad 6th Gen
- iPad 5th Gen
- iPad 4th Gen
- iPad 3rd Gen
- iPad Pro 9.7
- iPad Air 1
- iPad Air 2
- Samsung Tab S2 9.7
- Samsung Tab S3 9.7
- Samsung Tab A 9.7



Maxi Case supported devices:

- iPad Pro 10.5
- iPad Pro 11.0
- Samsung Tab A6 10.1
- Samsung Tab A 10.1
- Samsung Tab A 10.5
- Samsung Tab 4 10.1
- Microsoft Surface Go



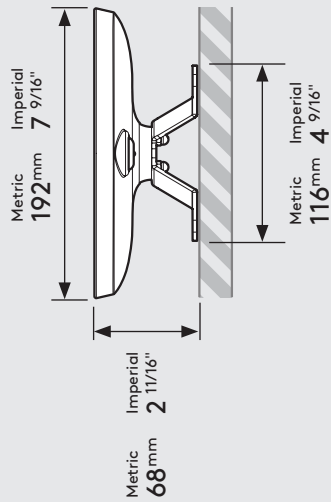
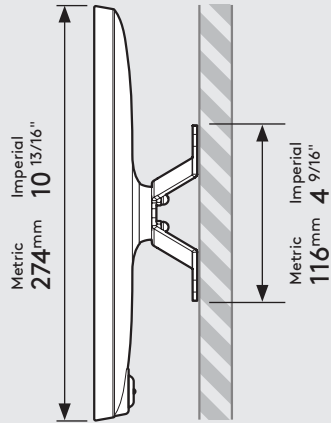
Mega Case supported devices:

- iPad Pro 12.9" 1st Gen
- iPad Pro 12.9" 2nd Gen
- iPad Pro 12.9" 3rd Gen
- Microsoft Surface Pro 4
- Microsoft Surface Pro 5

PRODUCT DATA SHEET - BOUNCEPAD VESA

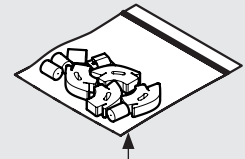
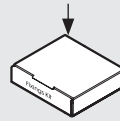
bouncepad[®]

Case:	Arm:	Mounting:	Packaged weight:	Colour:
Mini	Vesa	Not Applicable	1.63kg	White Black



Parts in the Box

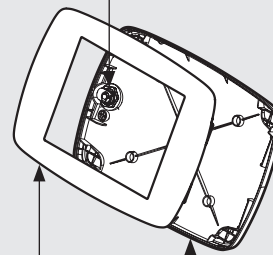
Fixings Kit



Tablet Set-up Kit

Case Lock

Brass, Stainless Steel



Faceplate

Powder coated
Stainless Steel

Case

PC/ABS Plastic

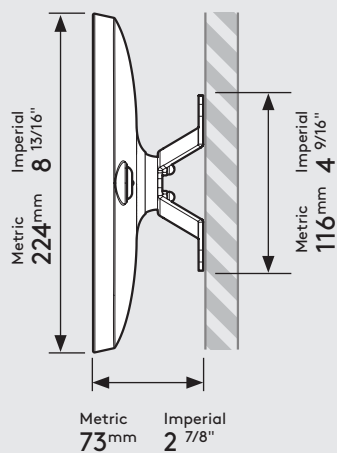
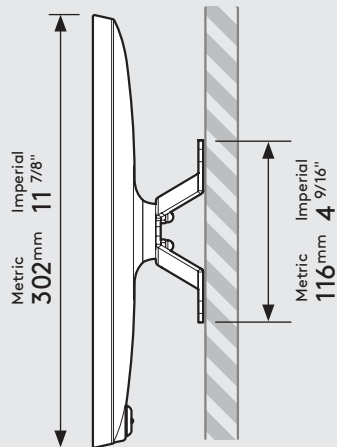
Vesa Mount

Powder coated Steel,
Aluminium

PRODUCT DATA SHEET - BOUNCEPAD VESA

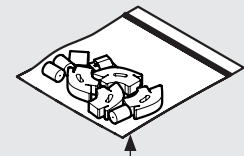
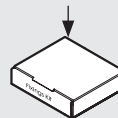
bouncepad[®]

Case:	Arm:	Mounting:	Packaged weight:	Colour:
Midi	Vesa	Not Applicable	1.81kg	White Black



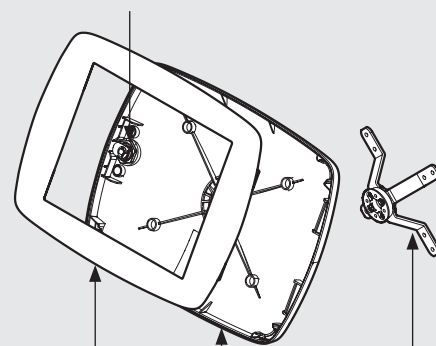
Parts in the Box

Fixings Kit



Tablet Set-up Kit

Case Lock
Brass, Stainless Steel



Faceplate
Powder coated
Stainless Steel

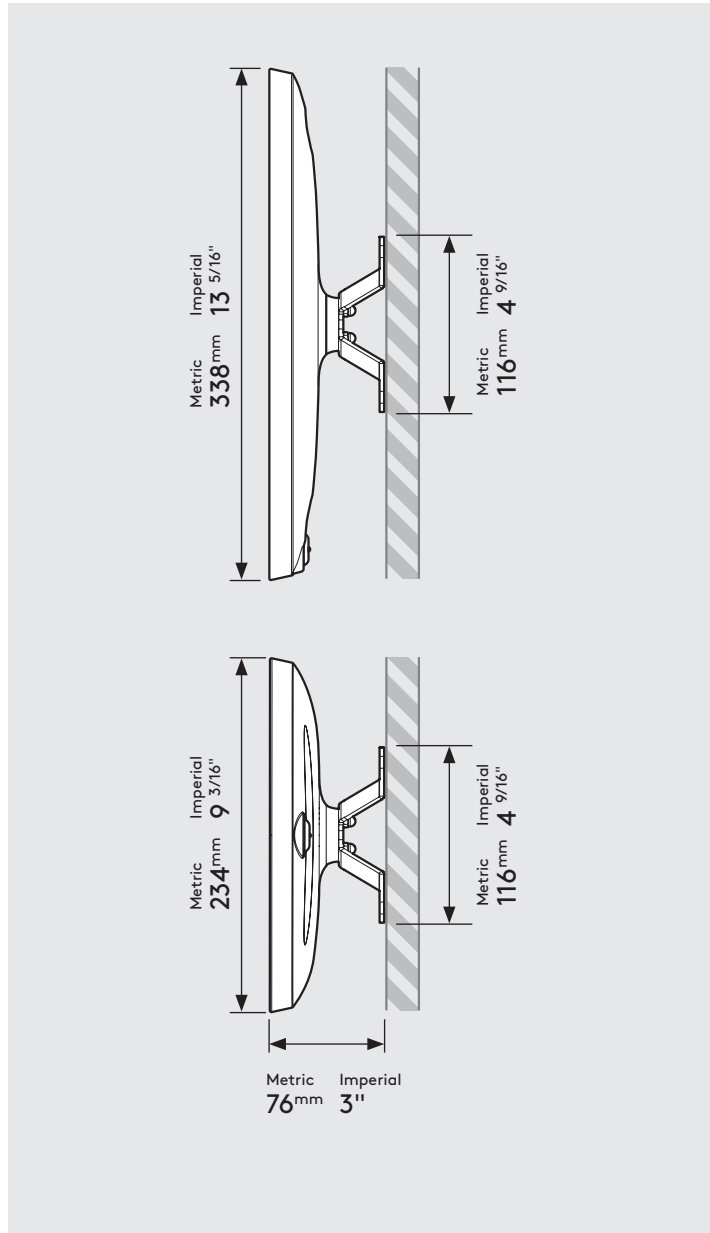
Case
PC/ABS Plastic

Vesa Mount
Powder coated Steel,
Aluminium

PRODUCT DATA SHEET - BOUNCEPAD VESA

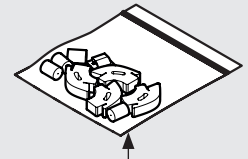
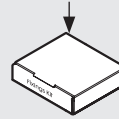
bouncepad[®]

Case:	Arm:	Mounting:	Packaged weight:	Colour:
Maxi	Vesa	Not Applicable	2.04kg	White Black



Parts in the Box

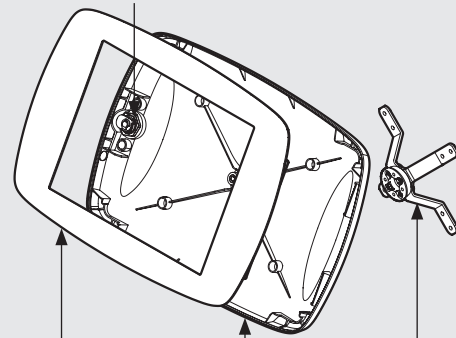
Fixings Kit



Tablet Set-up Kit

Case Lock

Brass, Stainless Steel



Faceplate
Powder coated
Stainless Steel

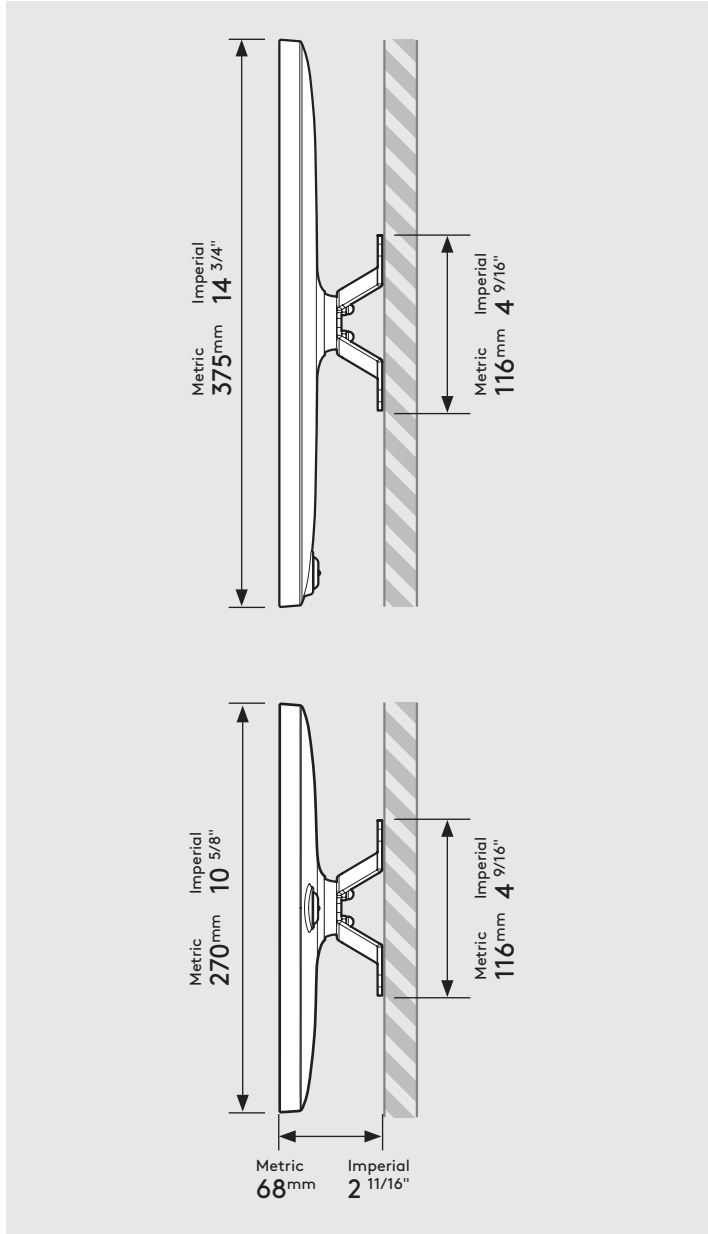
Case
PC/ABS Plastic

Vesa Mount
Powder coated Steel,
Aluminium

PRODUCT DATA SHEET - BOUNCEPAD VESA

bouncepad[®]

Case:	Arm:	Mounting:	Packaged weight:	Colour:
Mega	Vesa	Not Applicable	2.43kg	White Black



Parts in the Box

