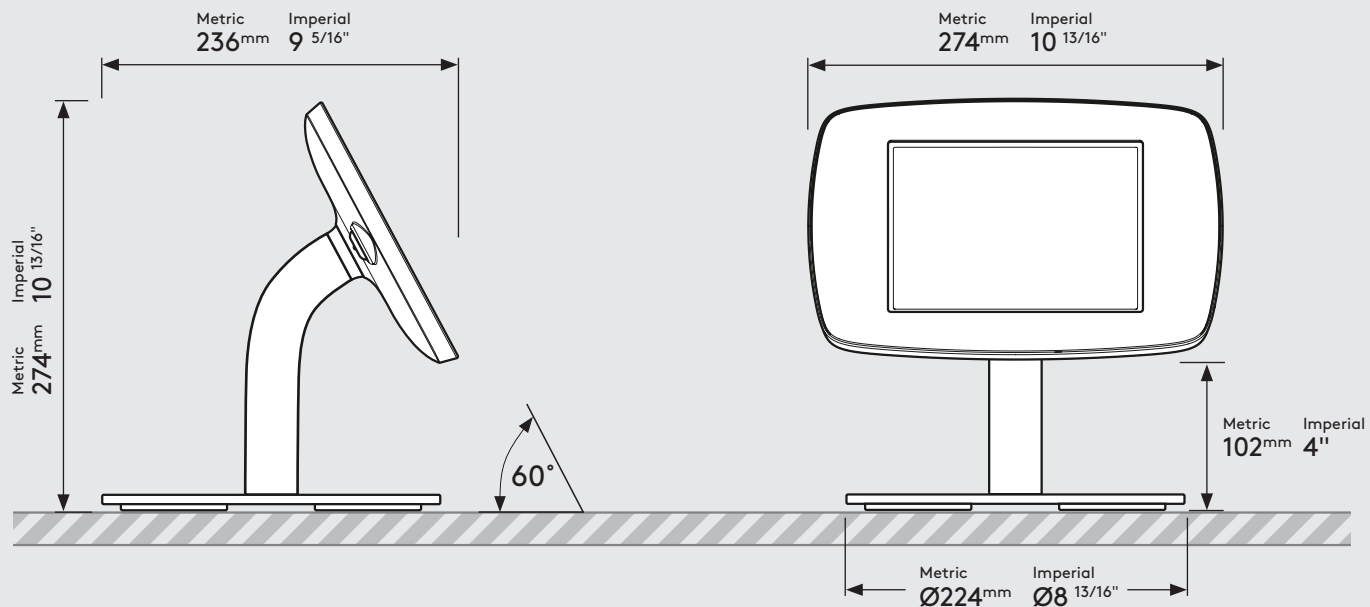


# PRODUCT DATA SHEET - COUNTER 60 (MINI CASE)

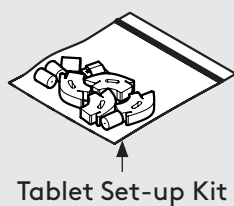
**bouncepad**<sup>®</sup>

**Case:** Mini    **Arm:** Static60    **Mounting:** Freestanding Base    **Packaged weight:** 3.6kg    **Colour:** White  
Black

## Dimensions



## Parts in the Box



Case Lock  
Brass, Stainless Steel

Faceplate  
Powder coated  
Stainless Steel

Case  
PC/ABS Plastic

Static60 Mounting Arm  
Powder coated Steel, Aluminium

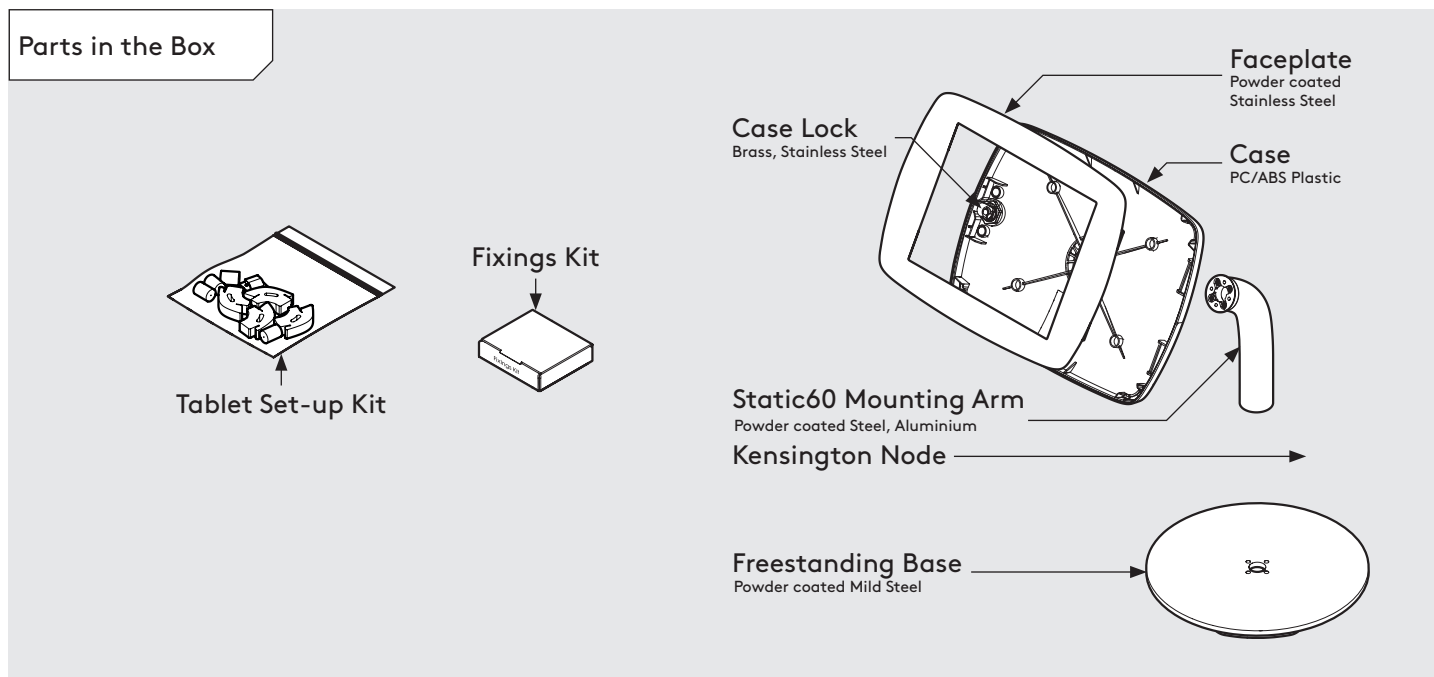
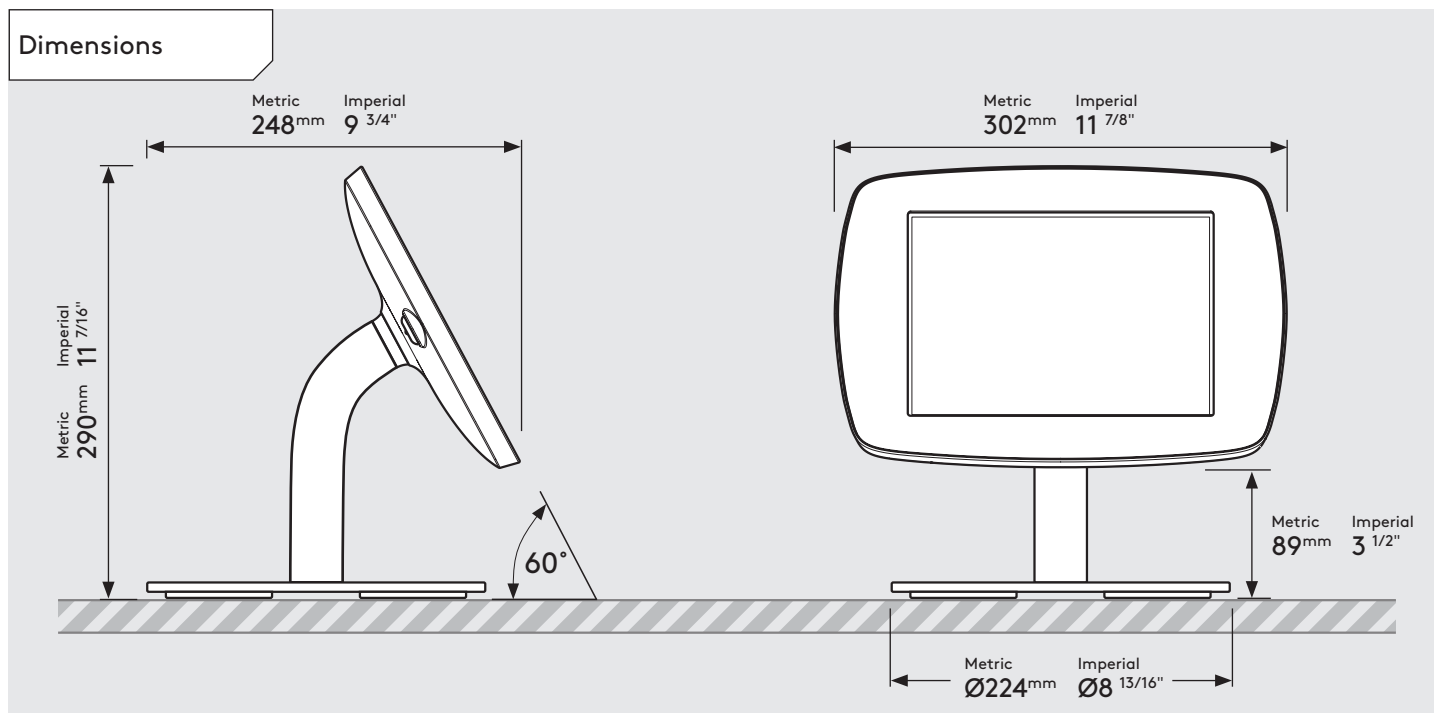
Kensington Node

Freestanding Base  
Powder coated Mild Steel

# PRODUCT DATA SHEET - COUNTER 60 (MIDI CASE)

**bouncepad**<sup>®</sup>

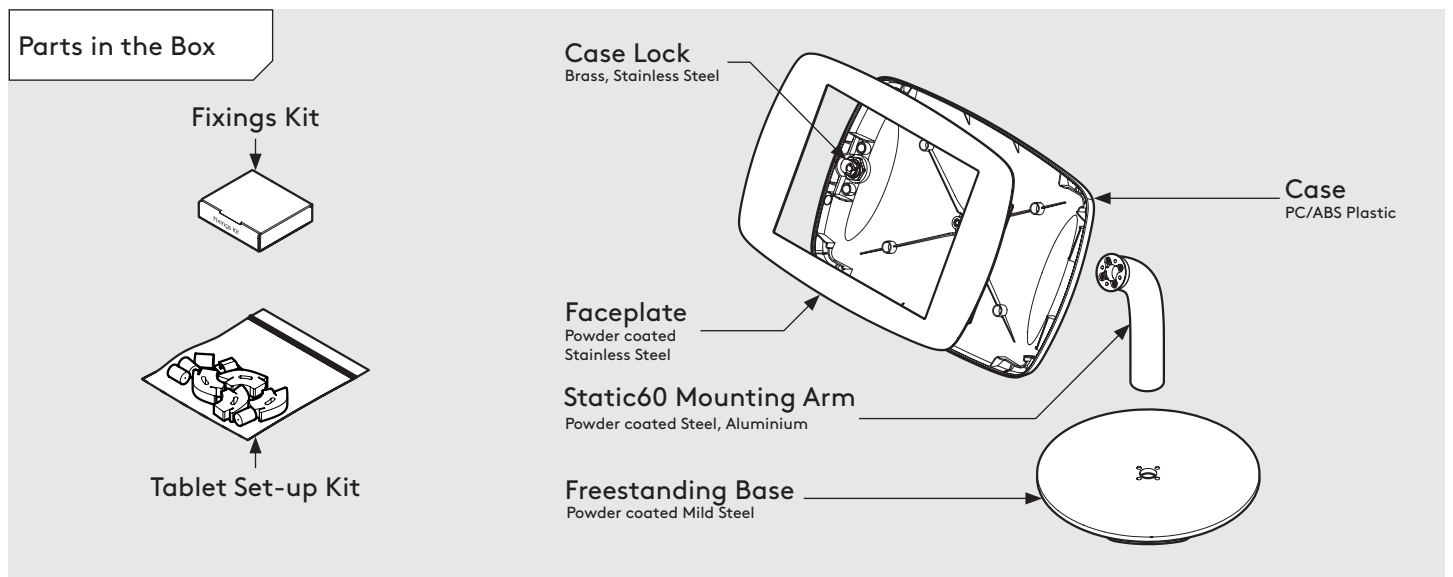
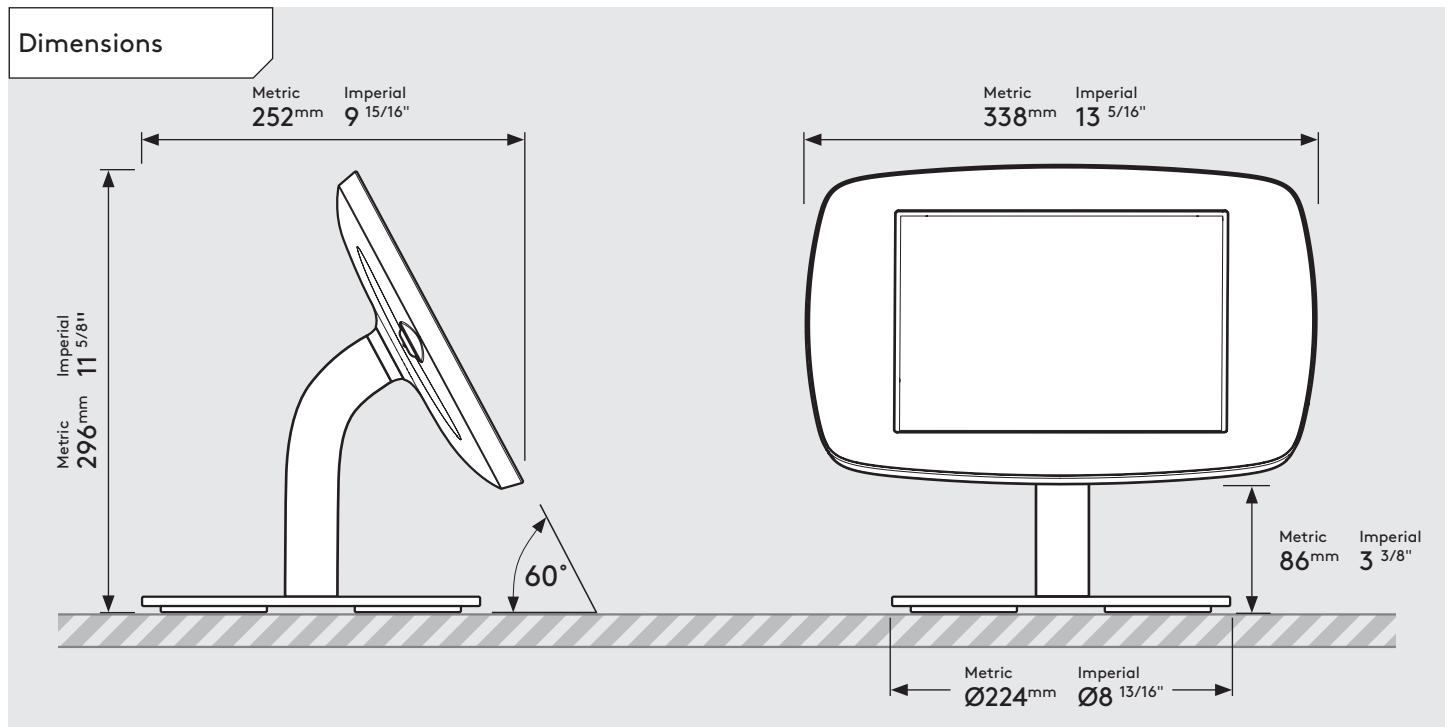
**Case:** Midi    **Arm:** Static60    **Mounting:** Freestanding Base    **Packaged weight:** 3.8kg    **Colour:** White  
Black



# PRODUCT DATA SHEET - COUNTER 60 (MAXI CASE)

**bouncepad**<sup>®</sup>

**Case:** Maxi    **Arm:** Static 60    **Mounting:** Freestanding Base    **Packaged weight:** 4.0kg    **Colour:** White  
Black



# PRODUCT DATA SHEET - COUNTER 60 (MEGA CASE)

**bouncepad**<sup>®</sup>

**Case:** Mega    **Arm:** Static60    **Mounting:** Freestanding Base    **Packaged weight:** 4.4kg    **Colour:** White  
Black

