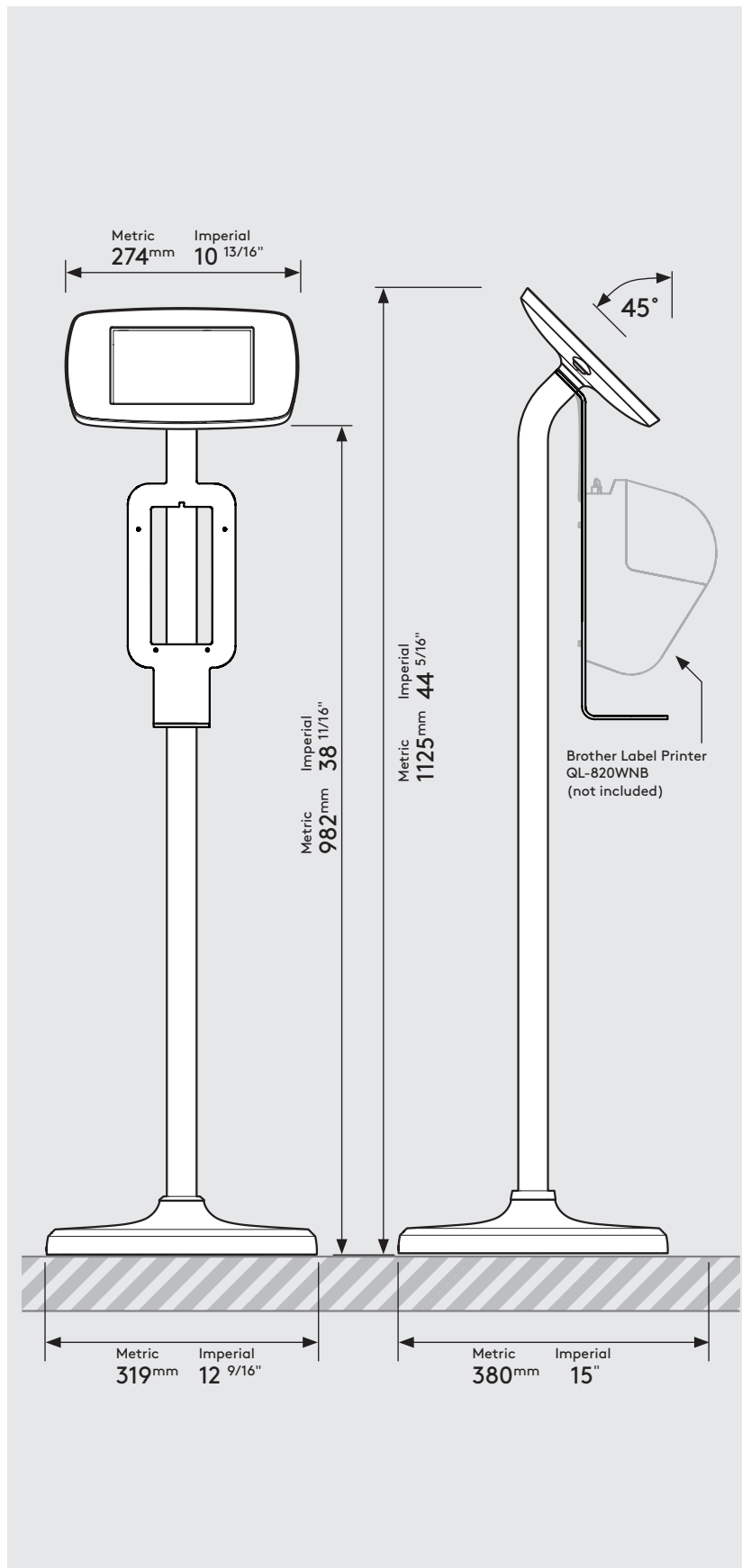


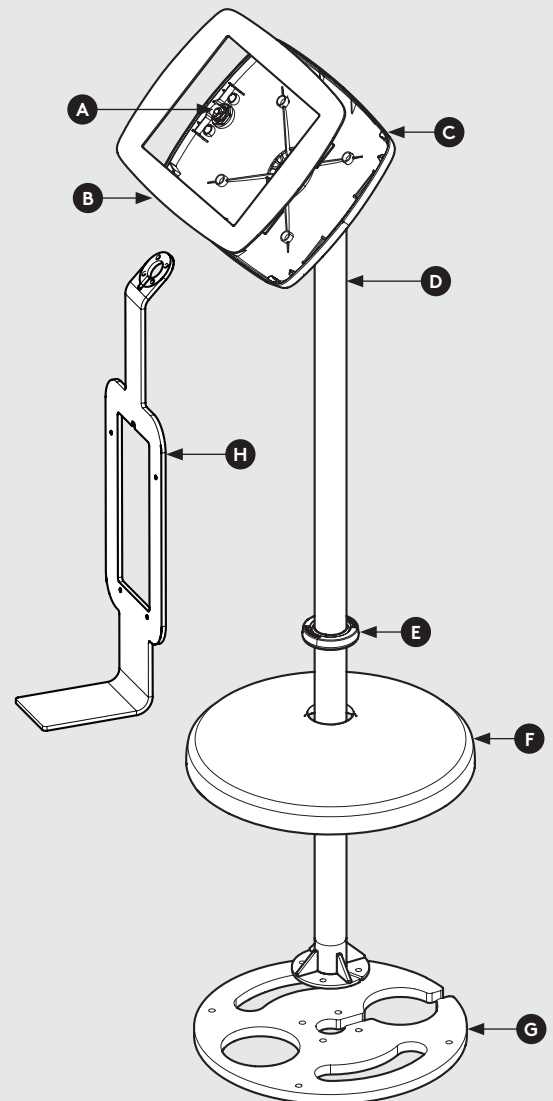
PRODUCT DATA SHEET - FLOORSTANDING WITH PRINTER MOUNT (MINI CASE)

bouncepad®

Case: Mini
Arm: Floorstanding
Mounting: Not Applicable
Packaged weight: 14kg
Colour: White, Black

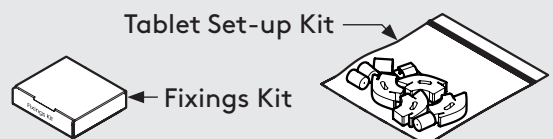


Parts in the Box



- A** Case Lock
Brass, Stainless Steel
- B** Faceplate
Powder coated Stainless Steel
- C** Case
PC/ABS Plastic
- D** Pole
Powder coated Mild Steel, Aluminium
- E** Collar
Rubber
- F** Cover
Powder coated Mild Steel
- G** Base
Powder coated Mild Steel
- H** Bracket
Powder coated Mild Steel

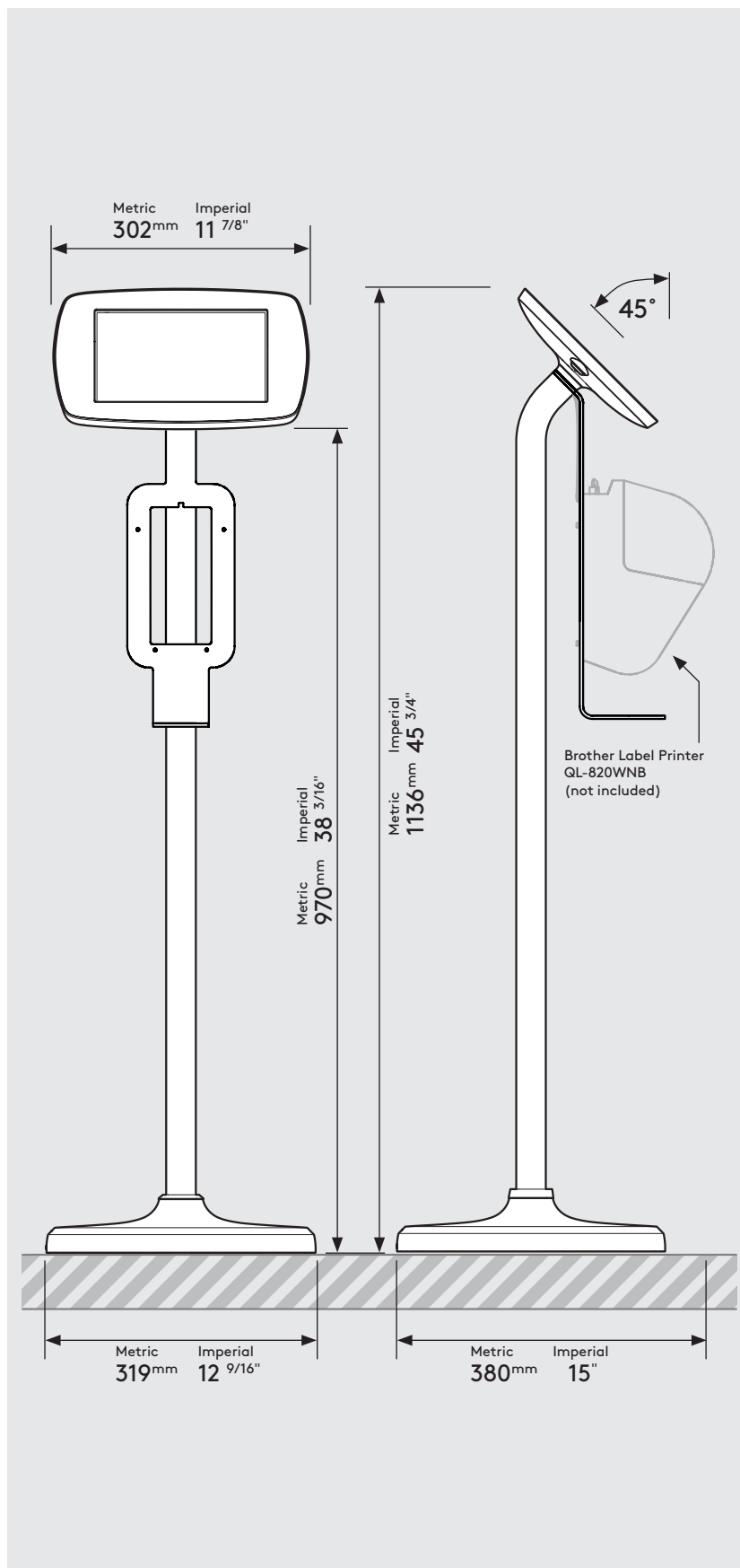
Tablet Set-up Kit



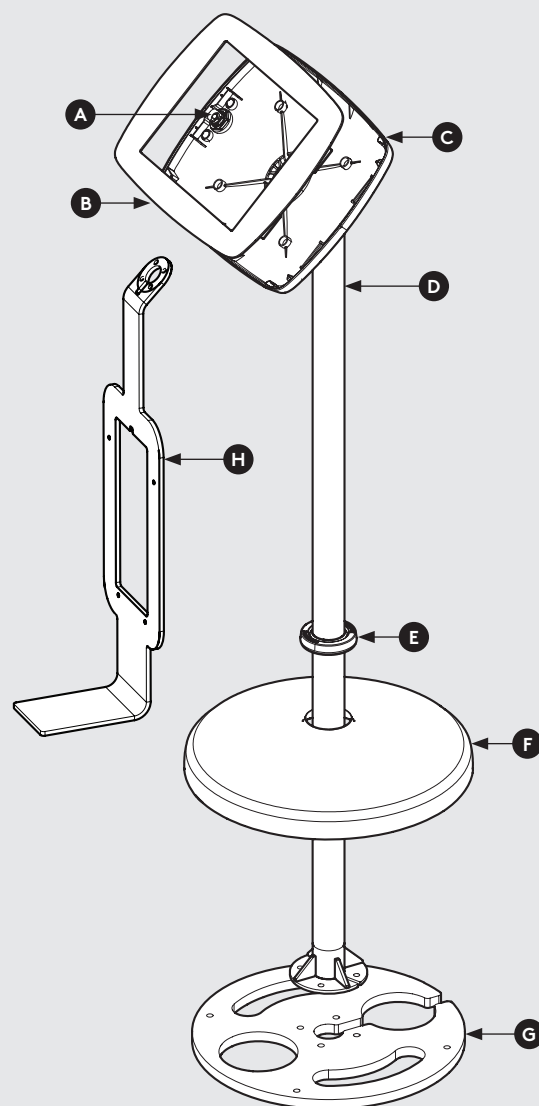
PRODUCT DATA SHEET - FLOORSTANDING WITH PRINTER MOUNT (MIDI CASE)

bouncepad

Case:	Arm:	Mounting:	Packaged weight:	Colour:
Midi	Floorstanding	Not Applicable	14.5kg	White Black



Parts in the Box



- | | |
|--|--|
| A Case Lock
Brass, Stainless Steel | F Cover
Powder coated Mild Steel |
| B Faceplate
Powder coated Stainless Steel | G Base
Powder coated Mild Steel |
| C Case
PC/ABS Plastic | H Bracket
Powder coated Mild Steel |
| D Pole
Powder coated Mild Steel, Aluminium | |
| E Collar
Rubber | |

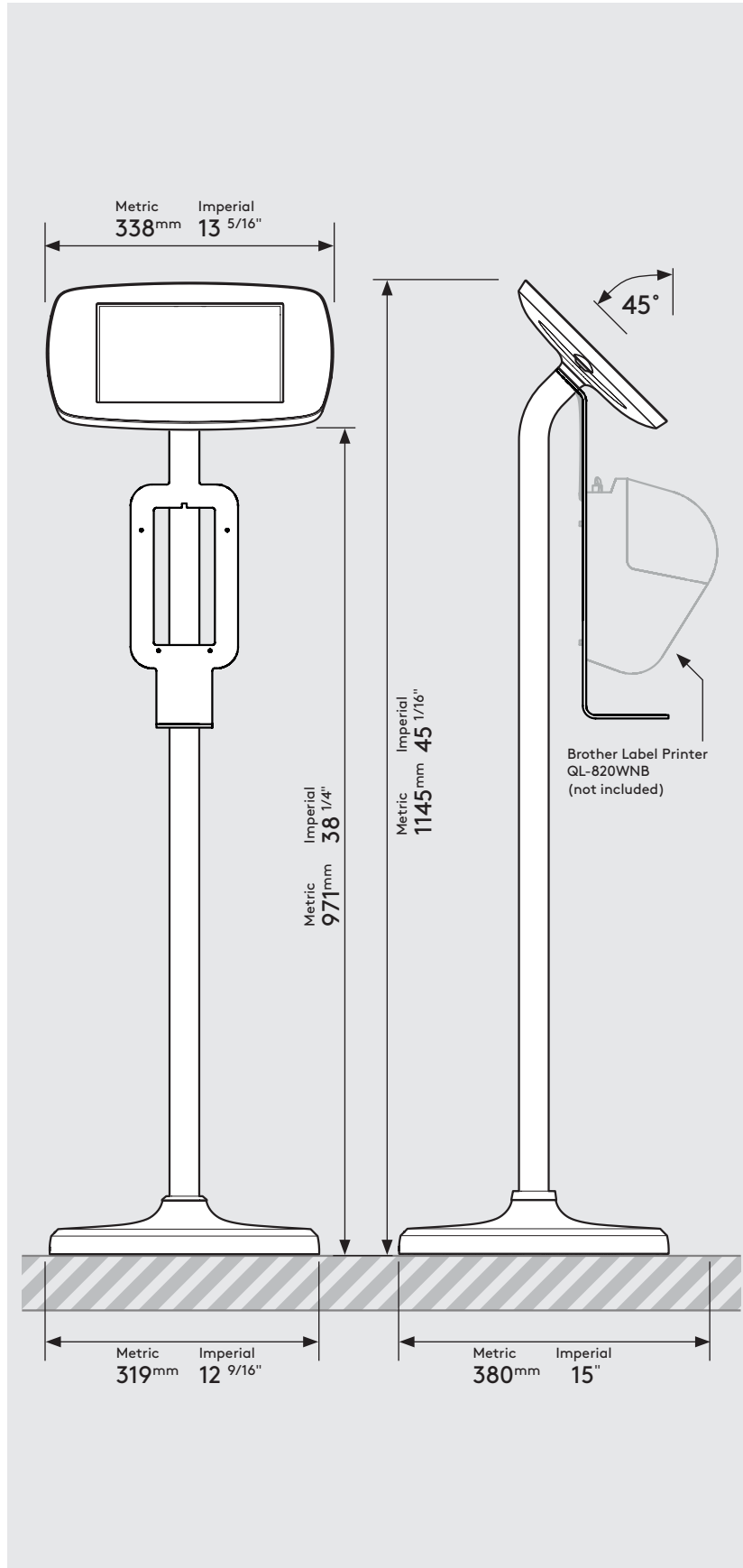
Tablet Set-up Kit



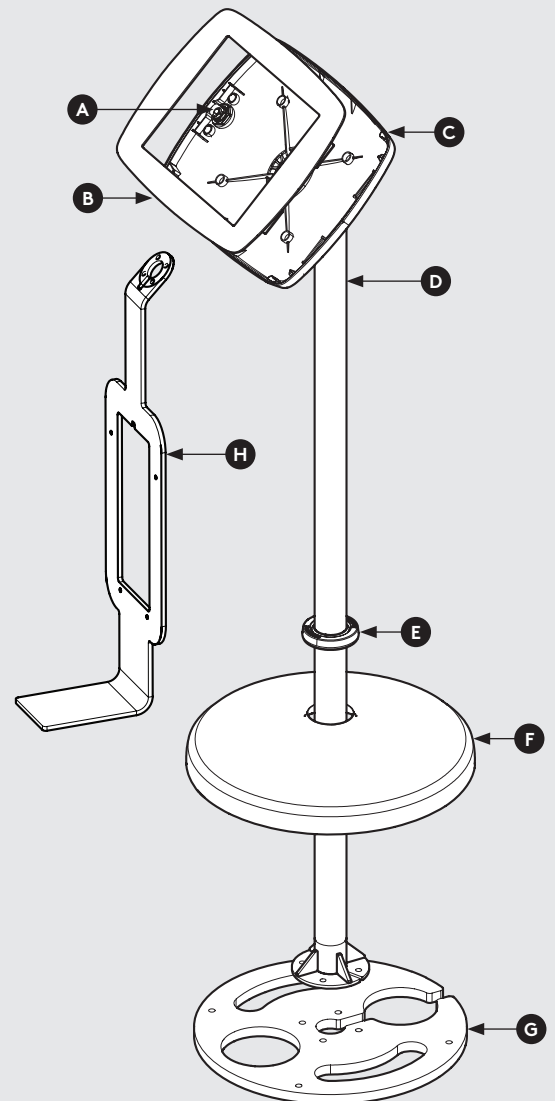
PRODUCT DATA SHEET - FLOORSTANDING WITH PRINTER MOUNT (MAXI CASE)

bouncepad®

Case:	Arm:	Mounting:	Packaged weight:	Colour:
Maxi	Floorstanding	Not Applicable	14.5kg	White Black

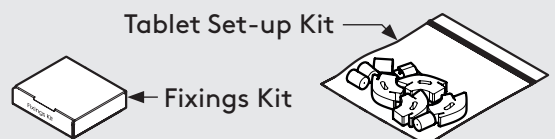


Parts in the Box



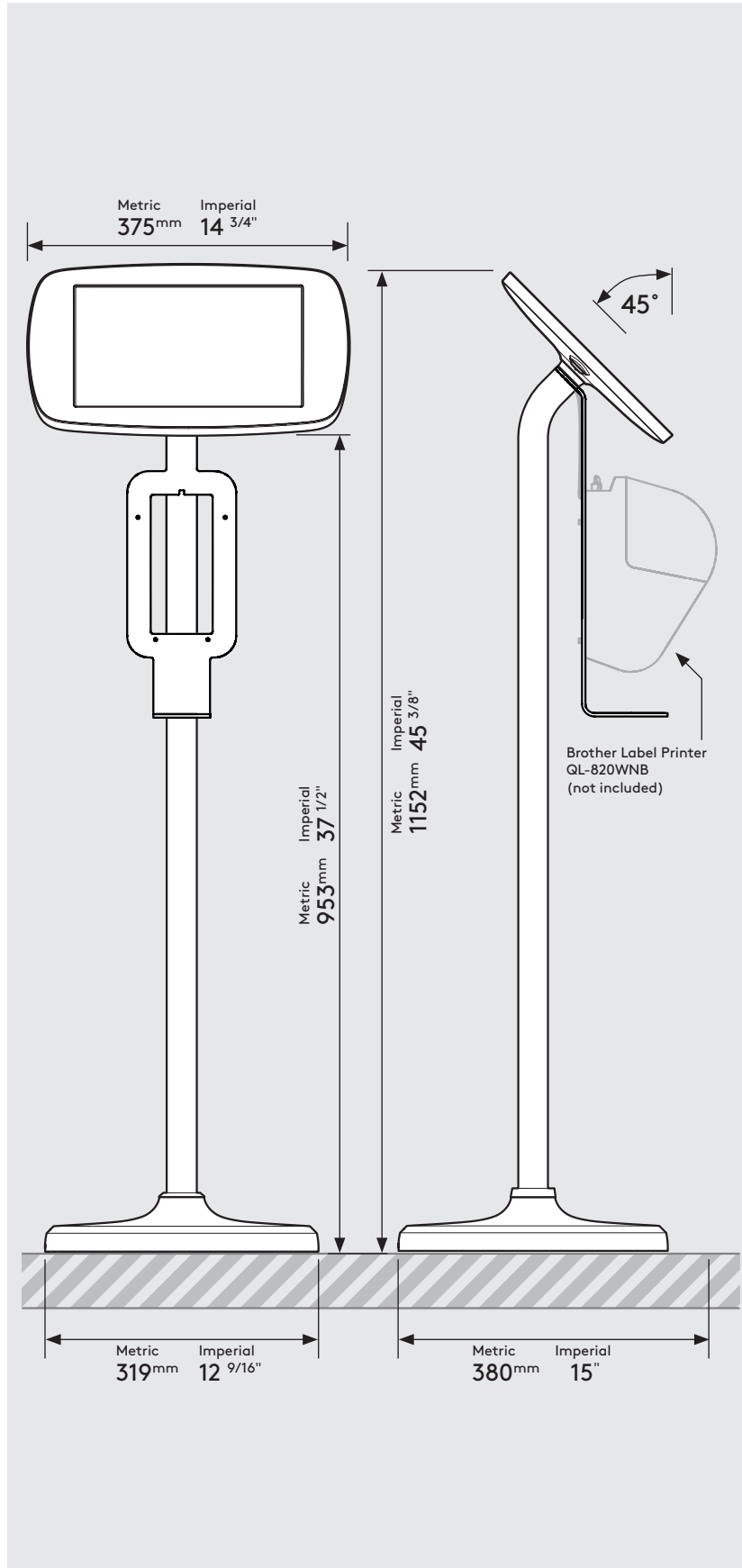
- | | |
|--|--|
| A Case Lock
Brass, Stainless Steel | F Cover
Powder coated Mild Steel |
| B Faceplate
Powder coated Stainless Steel | G Base
Powder coated Mild Steel |
| C Case
PC/ABS Plastic | H Bracket
Powder coated Mild Steel |
| D Pole
Powder coated Mild Steel, Aluminium | |
| E Collar
Rubber | |

Tablet Set-up Kit

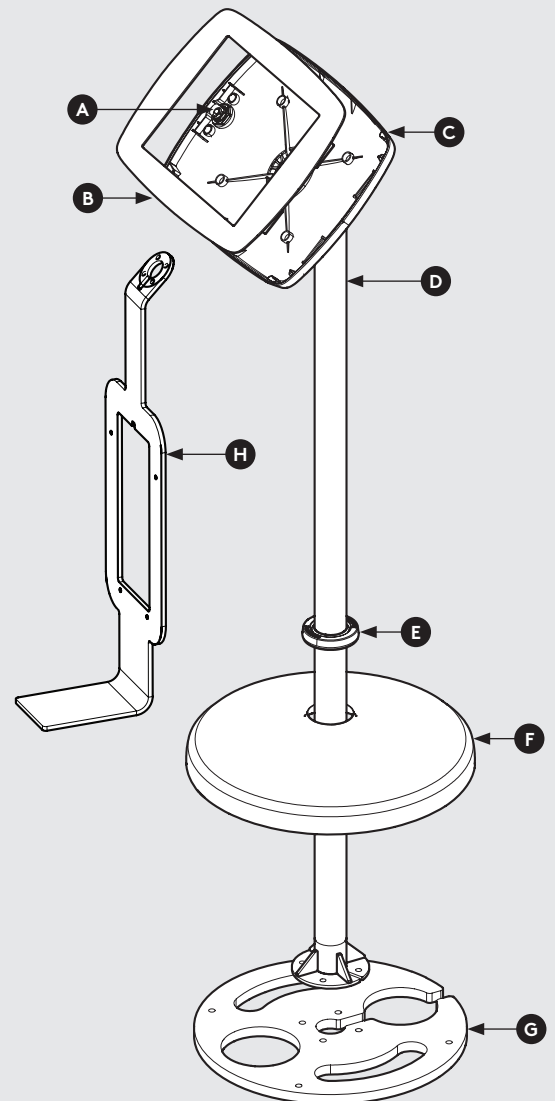


PRODUCT DATA SHEET - FLOORSTANDING WITH PRINTER MOUNT (MEGA CASE) **bouncepad**

Case:	Arm:	Mounting:	Packaged weight:	Colour:
Mega	Floorstanding	Not Applicable	15kg	White Black



Parts in the Box



- | | |
|--|--|
| A Case Lock
Brass, Stainless Steel | F Cover
Powder coated Mild Steel |
| B Faceplate
Powder coated Stainless Steel | G Base
Powder coated Mild Steel |
| C Case
PC/ABS Plastic | H Bracket
Powder coated Mild Steel |
| D Pole
Powder coated Mild Steel, Aluminium | |
| E Collar
Rubber | |

Tablet Set-up Kit

