

## Stainless Steel Bag Filter Vessel

East Coast Filter, Inc.'s Stainless Bag Filter Vessels are available in both 304 and 316 Stainless Steel and can be used in applications that utilize various corrosive chemicals, brackish water, or high temperatures due to their inability to rust.

The Vessels can be used as a standard Bag Vessel by incorporating a Felt or Mesh Bag Filter into the Basket or as a Strainer. Each Vessel is fully customizable to meet any specific requirement. Contact your East Coast Filter, Inc. Representative to find the best Solution for your application.

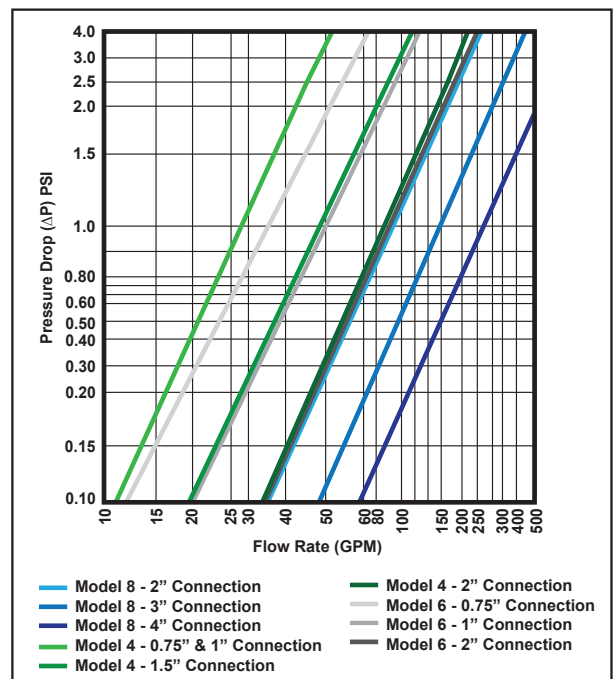
### Features

- Swing Eye Bolt Closure
- 304 and 316 Stainless Steel Construction
- Low Pressure Drops
- Adjustable Stainless Steel Legs
- Easy to Clean
- 150 Class ANSI Flange or NPT Connections
- High Chemical Compatibility
- Durable

### Options

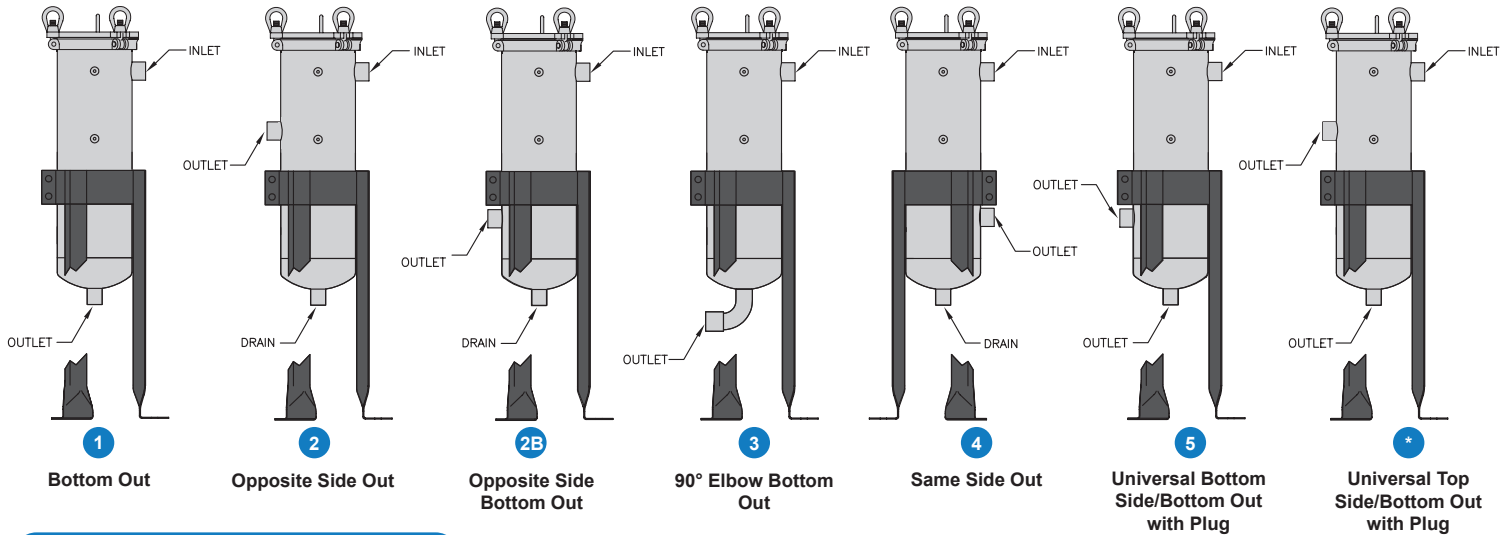
- Sanitary Connections
- Extended Length Legs
- Liquid Displacers for Easy Servicing
- 316 Stainless Steel Basket
- Solid Walled Basket to hold Carbon or Resin
- Duplexed Vessels

Model	Trade Size	Nominal Basket Depth	Nominal Basket Diameter	Surface Area	Volume
8	1	15"	6.7"	2.3 Ft <sup>2</sup>	500 In <sup>3</sup>
8	2	30"	6.7"	4.4 Ft <sup>2</sup>	1000 In <sup>3</sup>
4	3	6"	3.9"	0.5 Ft <sup>2</sup>	65 In <sup>3</sup>
4	4	12"	3.9"	1 Ft <sup>2</sup>	130 In <sup>3</sup>
6	7	12"	5"	1.3 Ft <sup>2</sup>	235 In <sup>3</sup>
6	8	18"	5"	2 Ft <sup>2</sup>	350 In <sup>3</sup>
6	9	30"	5"	3.4 Ft <sup>2</sup>	630 In <sup>3</sup>



## Stainless Steel Bag Filter Vessel

### Vessel Outlet Configuration



### Basket Specifications

	Viscosity (CPS)								
	1 (H <sub>2</sub> O)	50	100	200	400	600	800	1000	2000
All Unlined Baskets	0.65	0.85	1	1.1	1.2	1.4	1.5	1.6	1.8
40 Mesh Lined	0.73	0.95	1.2	1.4	1.5	1.8	1.9	2	2.3
60 Mesh Lined	0.77	1	1.3	1.6	1.7	2.1	2.2	2.3	2.8
80 Mesh Lined	0.93	1.2	1.5	1.9	2.1	2.4	2.6	2.8	3.5
100 Mesh Lined	1	1.3	1.6	2.2	2.4	2.7	3	3.3	4.4
200 Mesh Lined	1.3	1.7	2.1	3	3.4	3.8	4.4	5	6.8

Available Basket Mesh Sizes	Available Perforated Sizes
20	1/4"
30	3/16"
40	3/32"
50	1/16"
60	
70	
80	
100	
150	
200	

### Ordering Information

Model	Connection Size	Outlet Style	Pressure Rating	Housing Construction	Basket Seal	Basket Type	Options
8-15 = Trade Size #1	3/4P = 3/4" FNPT	1 = Bottom Out	150 = 150 PSI*	4S = 304 Stainless Steel	BS = Buna-N	PB = 9/64" Perf	DP = DP Ports
8-30 = Trade Size #2	1P = 1" FNPT	2 = Opposite Side	300 = 300 PSI +	6S = 316 Stainless Steel	ES = EPDM	BM = Mesh Lined**	D = Displacer
4-6 = Trade Size #3	1.5P = 1-1/2" FNPT	2B = Opposite Side Bottom			SS = Silicone	P = Perforated**	SSLEGS = 304 Stainless Steel Legs
4-12 = Trade Size #4	2P = 2" FNPT	3 = 90° Elbow			ST = Solid Teflon		6SSLegs = 316 Stainless Steel Legs
6-12 = Trade Size #7	3P = 3" FNPT	4 = Same Side Bottom			TS = Teflon Encapsulated Viton		
6-18 = Trade Size #8	1F = 1" Flange	5 = Universal (Opp. Bottom Side/Bottom)			VS = Viton		
6-30 = Trade Size #9	1.5F = 1-1/2" Flange	* = Universal (Opp. Top Side/Bottom)					
	2F = 2" Flange						
	3F = 3" Flange*						

\* Not Available in 4-6 or 4-12 Models

+ Not Available in 8-15, 8-30, 6-12, 6-18 or 6-30 Models

\*\* Include the Mesh or Perf Size from Chart in Part Number

Example: 8-30-2P-\*150-4S-BS-PB-DP-SSLEGS