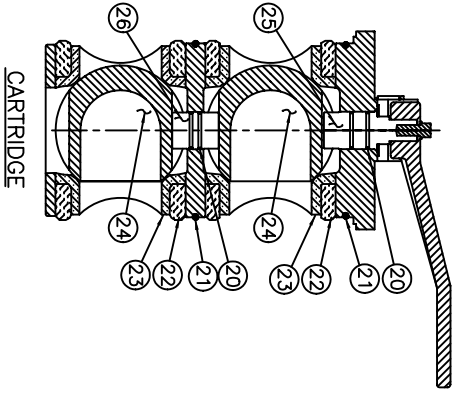
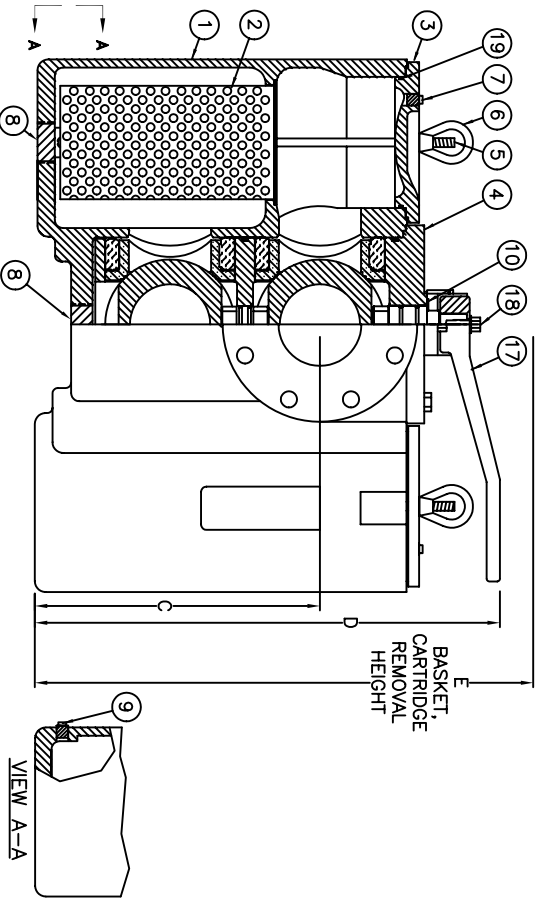
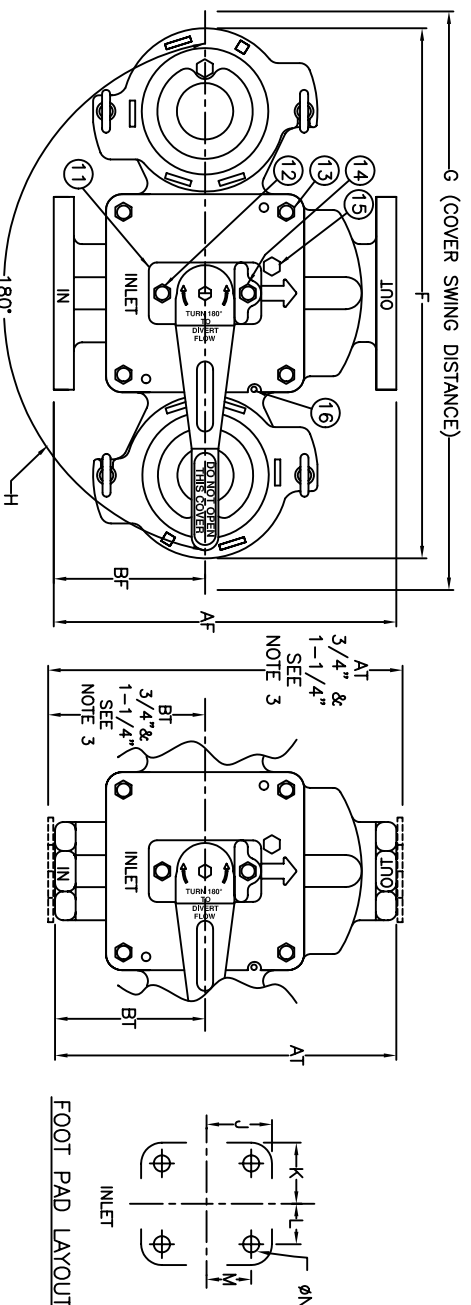


PIPE SIZE (NOMINAL) IN. MM.	DIMENSIONS																STRAINER WEIGHT LBS. KGS.	STRAINER PART NO.
	AF±0.13 IN. MM.	BF MM.	AI±0.13 IN. MM.	BT MM.	C MM.	D MM.	E MM.	F MM.	G MM.	H MM.	J MM.	K MM.	L MM.	M MM.	N MM.			
3/4 (20)			6.13 / 156	2.84 / 72	5.00 / 127	10.50 / 267	13.38 / 340	10.50 / 268	16.50 / 419	7.88 / 200	3.25 / 83	2.13 / 54	1.63 / 41	2.75 / 70	3/8 (10)	45 / 21	ST053007BT11TS	
1 (25)			5.50 / 140	2.53 / 64	5.00 / 127	10.50 / 267	13.38 / 340	10.50 / 268	16.50 / 419	7.88 / 200	3.25 / 83	2.13 / 54	1.63 / 41	2.75 / 70	3/8 (10)	43 / 20	ST053010BT11TS	
1-1/4 (32)			8.75 / 222	3.75 / 95	6.81 / 173	12.75 / 324	17.00 / 432	13.25 / 330	19.88 / 505	7.88 / 200	3.25 / 83	2.13 / 54	1.63 / 41	2.75 / 70	3/8 (10)	49 / 22	ST053010BT11TS	
1-1/2 (40)			9.38 / 238	4.31 / 109	6.81 / 173	12.75 / 324	17.00 / 432	13.25 / 330	19.88 / 505	7.88 / 200	3.25 / 83	2.13 / 54	1.63 / 41	2.75 / 70	3/8 (10)	94 / 43	ST053015BT11TS	
2 (50)			10.63 / 270	4.63 / 117	8.38 / 213	15.50 / 394	21.75 / 552	17.38 / 441	26.25 / 667	10.63 / 270	4.69 / 119	2.50 / 64	1.81 / 46	4.00 / 102	5/8 (16)	185 / 84	ST053020BT11TS	
2-1/2 (65)			10.75 / 273	4.69 / 119	8.38 / 213	15.50 / 394	21.75 / 552	17.38 / 441	26.25 / 667	10.63 / 270	4.69 / 119	2.50 / 64	1.81 / 46	4.00 / 102	5/8 (16)	216 / 98	ST053025BT11TS	
3 (80)			13.50 / 343	5.93 / 151	8.88 / 226	18.00 / 457	26.50 / 673	22.75 / 578	35.00 / 889	12.00 / 305	4.69 / 119	2.50 / 64	1.81 / 46	4.00 / 102	5/8 (16)	336 / 153	ST053030BT11TS	
4 (100)			16.00 / 406	7.06 / 179	13.25 / 337	21.63 / 549	33.00 / 838	24.75 / 629	36.75 / 933	12.00 / 305	5.19 / 132	3.94 / 100	3.25 / 83	4.50 / 114	5/8 (16)	461 / 209	ST053040BT11TS	



ITEM	PART NAME	MATERIAL	QTY.
1	BODY	ALUMINUM BRONZE, B148	1
2	BASKET	STAINLESS STEEL, 316	2
	PERF. DIA.		
	MESH SIZE		
3	COVER	ALUMINUM BRONZE, B148	2
4	CARTRIDGE	ALUMINUM BRONZE, B148	1
5	STUD	CARBON STEEL	4
6	EVENUT	CARBON STEEL	4
7	PIPE PLUG	BRASS	2, 3, 2
8	WASHER	STAINLESS STEEL	1
9	STEM RETAINER	STAINLESS STEEL	1
10	CAP SCREW	CARBON STEEL	1, 4, 1
11	VENT VALVE	BRASS	1
12	PIN	CARBON STEEL	1
13	HANDLE	DUCTILE IRON/CARBON STEEL	1
14	CAP SCREW	CARBON STEEL	1
15	O-RING	BRUNA-N	2, 4, 2
16	SEAL	BRUNA-N	4
17	SEAT	TEFLON	4
18	BALL	STAINLESS STEEL	2
19	STEM	STAINLESS STEEL	1, 1

NOTES: (▲ - SPARES)

1. INLET/OUTLET CONNECTIONS PER ANSI STANDARDS.
2. MAX. WORKING PRESSURE: 200 PSI @ 150° F (13.8 BAR @ 65.5° C)
3. BUSHINGS USED FOR 3/4" & 1-1/4" CONNECTIONS.

CERTIFIED FOR: --

P.O. NO.: -- QUOTE NO.: --
 REG. NO.: -- TAG NO.: --

EATON

900 FAIRMOUNT AVENUE, ELIZABETH, NEW JERSEY 07207

EATON FILTRATION, LLC

NAME MODEL 53 "BTX" - DUPLEX STRAINER
 ANSI CLASS 150 FF FLANGE & NPT
 SIZES 3/4" THROUGH 4" BRONZE

SIZE	DATE	CERT.	WB	DATE	REV
VA	12/16/99			12/16/99	K
DWG NO.	SD053082				

ELECTRONIC FILE NAME: SD053082.DWG
 REF. ECR D507 DATE 11/1/05

UNAUTHORIZED USE, MANUFACTURE OR REPRODUCTION IN WHOLE OR IN PART IS PROHIBITED. DRAWING, DESIGN AND OTHER DISCLOSURES PROPERTY OF EATON FILTRATION, LLC

VIEW A-A