

SB Series Simplex Basket Strainer 6" - 8"

Features

- PVC and CPVC Construction
- Ergonomic Hand-Removable Cover
- In-Line or Loop Connections
- External Cover Threads
- Integral Flat Mounting Base
- Hand Removable Vent on Cover
- Hand Removable Drain on Body
- Liquid Displacing Cover
- PVC or CPVC Perforated Baskets Standard

Options

- Stainless Steel, Monel, Hastelloy and Titanium Strainer Baskets
- Pressure Differential Gauge and Switch
- Baskets Available with Perforated or Mesh Liners

Materials

- PVC Cell Class 12454 per ASTM D1784
- CPVC Cell Class 23447 per ASTM D1784
- FPM and EPDM O-Ring Seals

Basket Options

Perforation Sizes	Mesh Sizes	Basket Material
1/32"	20	SSTL, Hastelloy, Monel, & Titanium
1/16"	40	SSTL, Hastelloy, Monel, & Titanium
1/8"	60	SSTL, Hastelloy, Monel, & Titanium
5/32"	80	SSTL, Hastelloy, Monel, & Titanium
3/16"	100	SSTL, Hastelloy, Monel, & Titanium
1/4"	200	SSTL, Hastelloy, Monel, & Titanium
3/8"	325	SSTL, Hastelloy, Monel, & Titanium
1/8"	NA	PVC, CPVC, & PP
3/16"	NA	PVC, CPVC, & PP



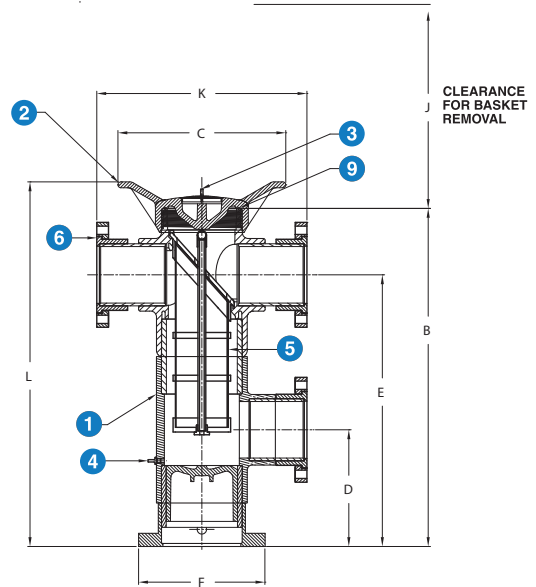
Applications

- Water & Wastewater Treatment
- Chemical Processing
- Food & Beverage
- Swimming Pools & Water Parks
- Aquaculture
- Aquarium & Zoo Service
- Pharmaceutical
- Pulp & Paper
- Landfill Service
- Marine & Corrosive Environments
- Metal Finishing & Plating

SB Series Simplex Basket Strainer 6" - 8"

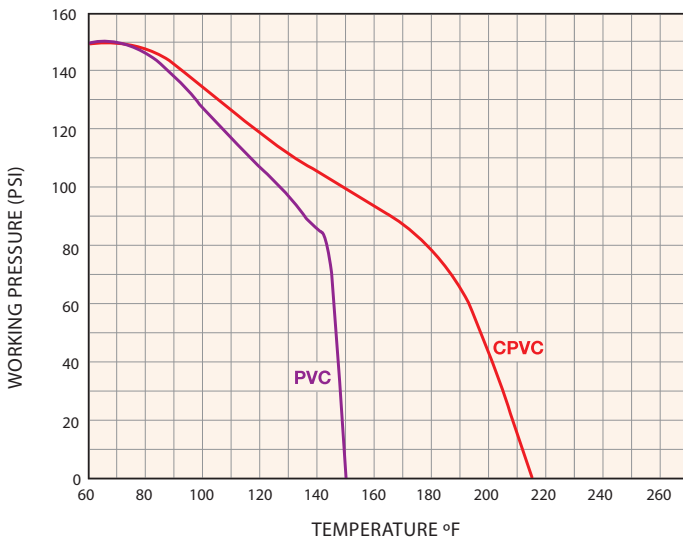
Dimensions

1. Body
2. Cover
3. Vent Plug and O-Ring
4. Drain Plug and O-Ring
5. Basket
6. Flange (Optional)
7. End Connector
8. Nut
9. Cover O-Ring
10. End Connector O-Ring



Size	A	B	C	D	E	F	J	K	L	Weight		Volume
										Soc/Thd	Flanged	
6	NA	34.28"	18.00"	10.66"	27.19"	11.75"	21.80"	22.42"	39.90"	NA	60.00 Lbs.	6.80 Gal.
8	NA	34.28"	18.00"	10.66"	27.19"	11.75"	28.75"	25.19"	39.90"	NA	80.00 Lbs.	9.00 Gal.

Operating Pressure & Temperature



CV Values

Size	CV Values
6"	1,000 GPM
8"	750 GPM

The above CV Values were determined using a 5/32" Perforated Plastic Basket in 6" and 8" Strainers.

