

SB Series Simplex Basket Strainer 1/2" - 4"

Features

- PVC and CPVC Construction
- Ergonomic Hand-Removable Cover
- In-Line or Loop Connections
- External Cover Threads
- Integral Flat Mounting Bases
- NSF/ANSI 61 Listed

Options

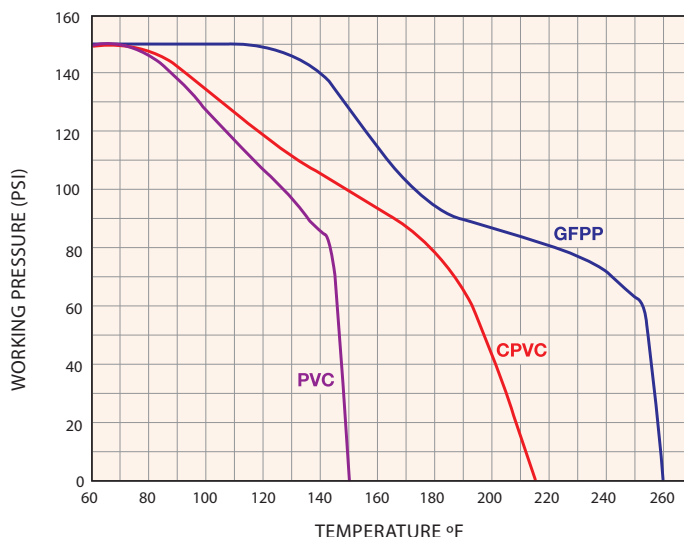
- Stainless Steel, Monel, Hastelloy and Titanium Strainer Baskets
- Pressure Differential Gauge and Switch
- Baskets Available with Perforated or Mesh Liners

Materials

- PVC Cell Class 12454 per ASTM D1784
- CPVC Cell Class 23447 per ASTM D1784
- FPM and EPDM O-Ring Seals



Operating Pressure & Temperature



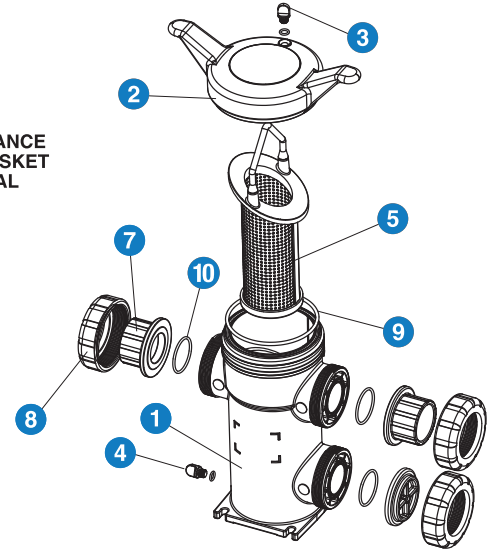
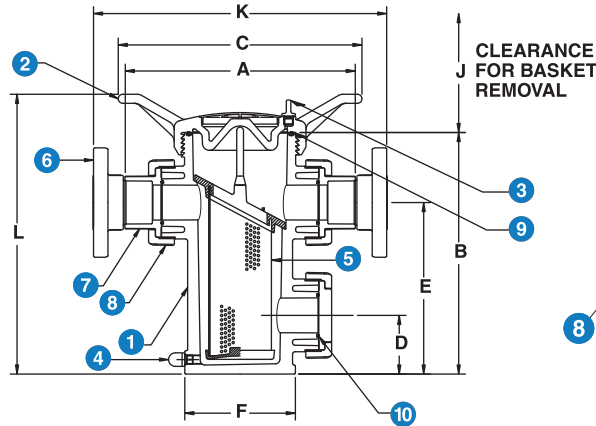
Applications

- Water & Wastewater Treatment
- Chemical Processing
- Food & Beverage
- Swimming Pools & Water Parks
- Aquaculture
- Aquarium & Zoo Service
- Pharmaceutical
- Pulp & Paper
- Landfill Service
- Marine & Corrosive Environments
- Metal Finishing & Plating

SB Series Simplex Basket Strainer

Dimensions

1. Body
2. Cover
3. Vent Plug and O-Ring
4. Drain Plug and O-Ring
5. Basket
6. Flange (Optional)
7. End Connector
8. Nut
9. Cover O-Ring
10. End Connector O-Ring



Size	A	B	C	D	E	F	J	K	L	Weight		Volume
										SOC/THD	Flanged	
1/2"	8.64"	9.63"	11"	2.25"	6.75"	4.31"	8"	10.77"	11.7"	8 Lbs.	9 Lbs.	.2 Gal
3/4"	8.64"	9.63"	11"	2.25"	6.75"	4.31"	8"	11.02"	11.7"	8 Lbs.	9 Lbs.	.2 Gal
1"	8.64"	9.63"	11"	2.25"	6.75"	4.31"	8"	11.64"	11.7"	8 Lbs.	9 Lbs.	.2 Gal
1-1/4"	12.75"	13.38"	13.5"	3.25"	9.50"	6.13"	12.86"	15.63"	15.5"	14 Lbs.	16.5 Lbs.	.7 Gal
1-1/2"	12.69"	13.38"	13.5"	3.25"	9.50"	6.13"	12.86"	15.89"	15.5"	14 Lbs.	16.5 Lbs.	.7 Gal
2"	12.75"	13.38"	13.5"	3.25"	9.50"	6.13"	12.86"	16.29"	15.5"	14 Lbs.	16.5 Lbs.	.7 Gal
2-1/2"	16.52"	19.83"	16"	4.83"	14.83"	7.25"	17.25"	21.02"	22.3"	28 Lbs.	33 Lbs.	2.80 Gal
3"	16.40"	19.83"	16"	4.83"	14.83"	7.25"	17.25"	20.36"	22.3"	28 Lbs.	33 Lbs.	2.80 Gal
4"	17.27"	19.83"	16"	4.83"	14.83"	7.25"	17.25"	22.13"	22.3"	28 Lbs.	33 Lbs.	2.80 Gal

Ordering Information

Size	Material	End Connection	Seals	Pressure Rating
1/2"	PVC	Socket	FPM	150 PSI @ 70°F Non-Shock
3/4"	CPVC	Threaded	EPDM	100 PSI @ 70°F Non-Shock
1"		Flanged		
1-1/4"				
1-1/2"				
2"				
2-1/2"				
3"				
4"				

