

DB Series Duplex Basket Strainer 6"- 8"

Features

- PVC and CPVC Construction
- Ergonomic Hand-Removable Cover
- In-Line or Loop Connections
- External Cover Threads
- Integral Flat Mounting Base
- Hand Removable Vent on Cover
- Hand Removable Drain on Body
- No System Shutdown for Basket Cleaning

Options

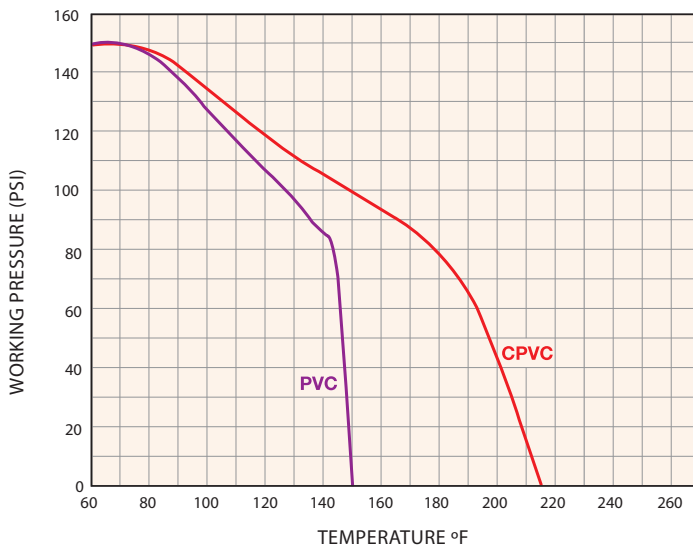
- Stainless Steel, Monel, Hastelloy and Titanium Strainer Baskets
- Pressure Differential Gauge and Switch
- Baskets Available with Perforated or Mesh Liners
- Pneumatic or Electric Valve Automation

Materials

- PVC Cell Class 12454 per ASTM D1784
- CPVC Cell Class 23447 per ASTM D1784
- FPM and EPDM O-Ring Seals



Operating Pressure & Temperature

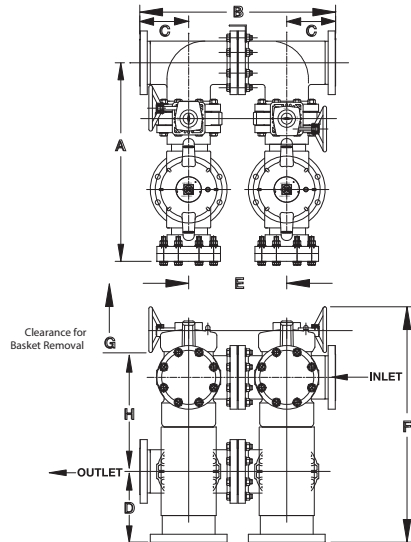


Applications

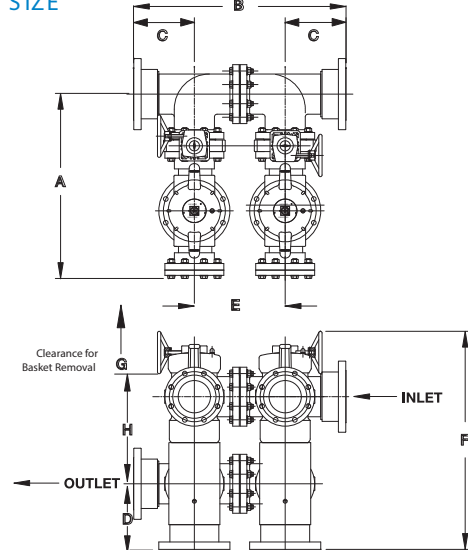
- Water & Wastewater Treatment
- Chemical Processing
- Food & Beverage
- Swimming Pools & Water Parks
- Aquaculture
- Aquarium & Zoo Service
- Pharmaceutical
- Pulp & Paper
- Landfill Service
- Marine & Corrosive Environments
- Metal Finishing & Plating

DB Series Duplex Basket Strainer 6"- 8"

6" SIZE



8" SIZE



Dimensions

Size	A	B	C	D	E	F	G	H	Weight
6"	34.91"	34.42"	8.59"	12.45"	17.24"	41.40"	21.80"	16.53"	180.00 Lbs.
8"	42.70"	53.15"	13.27"	12.45"	26.62"	42.52"	28.75"	16.53"	250.00 Lbs.

Ordering Information

Size	Material	End connection	Seals	Pressure Rating
6"	PVC	Flanged	FPM	150 PSI @70°F Non-Shock
8"	CPVC		EPDM	

