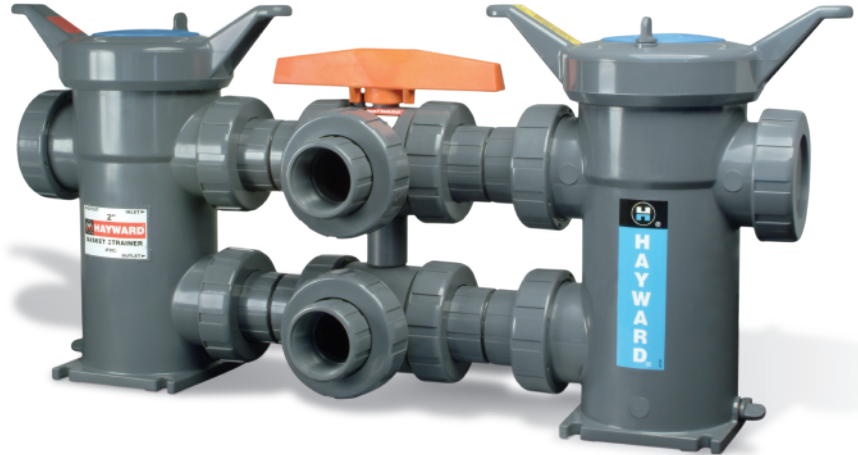


DB Series Duplex Basket Strainer 1/2" - 4"

Features

- PVC and CPVC Construction
- Ergonomic Hand-Removable Cover
- In-Line or Loop Connections
- External Cover Threads
- Integral Flat Mounting Base
- Hand Removable Vent on Cover
- Hand Removable Drain on Body
- No System Shutdown for Basket Cleaning



Options

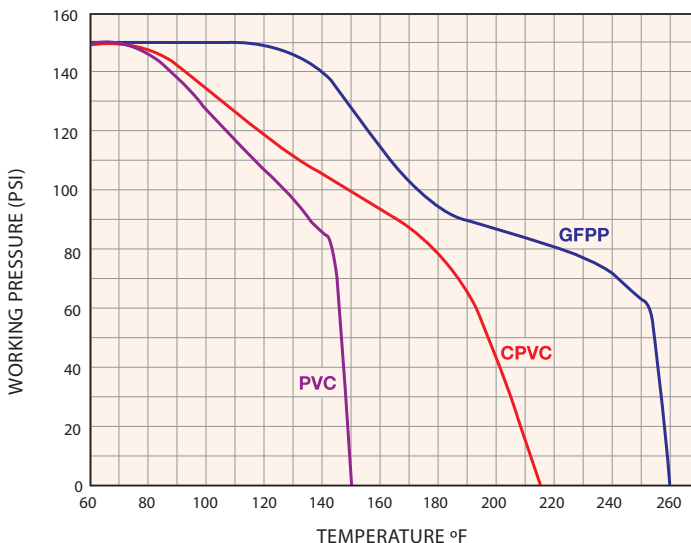
- Stainless Steel, Monel, Hastelloy and Titanium Strainer Baskets
- Pressure Differential Gauge and Switch
- Baskets Available with Perforated or Mesh Liners



Materials

- PVC Cell Class 12454 per ASTM D1784
- CPVC Cell Class 23447 per ASTM D1784
- FPM and EPDM O-Ring Seals

Operating Pressure & Temperature



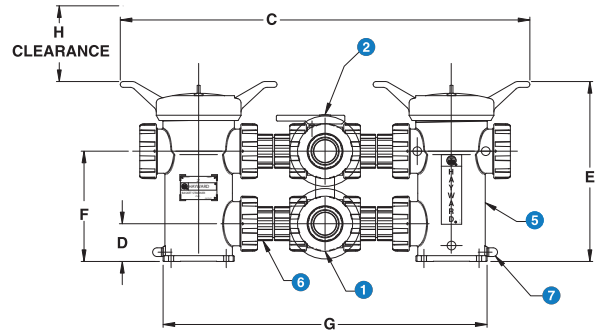
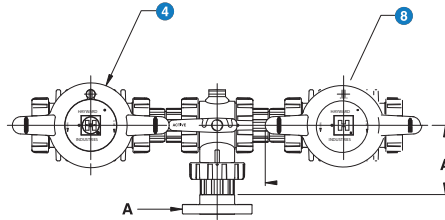
Applications

- Water & Wastewater Treatment
- Chemical Processing
- Food & Beverage
- Swimming Pools & Water Parks
- Aquaculture
- Aquarium & Zoo Service
- Pharmaceutical
- Pulp & Paper
- Landfill Service
- Marine & Corrosive Environments
- Metal Finishing & Plating

DB Series Duplex Basket Strainer 1/2" - 4"

Dimensions

1. Single Stem Lateral
2. Double Stem Lateral
3. Inlet Flange
4. Cover
5. Strainer Body
6. Spool
7. Drain Plug and O-Ring
8. Vent Plug and O-Ring



Size	A	B	C	D	E	F	G	H	J	Weight	
										SOC/THD	Flanged
1/2"	4.14"	5.21"	27.20"	2.25"	11.70"	6.75"	20.50"	5.00"	11.00"	20.00 Lbs.	21.00 Lbs.
3/4"	4.14"	5.33"	27.20"	2.25"	11.70"	6.75"	20.5"	5.00"	11.00"	20.00 Lbs.	21.00 Lbs.
1"	4.14"	5.64"	27.20"	2.25"	11.70"	6.75"	20.50"	5.00"	11.00"	20.00 Lbs.	21.00 Lbs.
1-1/4"	6.00"	7.44"	35.30"	3.25"	15.50"	9.50"	28.00"	10.80"	13.50"	39.50 Lbs.	42.00 Lbs.
1-1/2"	6.00"	7.60"	35.30"	3.25"	15.50"	9.50"	28.00"	10.80"	13.50"	39.50 Lbs.	42.00 Lbs.
2"	6.00"	7.77"	35.30"	3.25"	15.50"	9.50"	28.00"	10.80"	13.50"	39.50 Lbs.	42.00 Lbs.
2-1/2"	7.60"	9.85"	44.40"	4.83"	22.30"	14.83"	35.60"	14.80"	16.00"	83.00 Lbs.	88.00 Lbs.
3"	7.60"	9.85"	44.40"	4.83"	22.30"	14.83"	35.60"	14.80"	16.00"	83.00 Lbs.	88.50 Lbs.
4"	9.33"	11.76"	47.50"	4.83"	22.30"	14.83"	38.70"	14.80"	16.00"	100.00 Lbs.	105.00 Lbs.

Ordering Information

Size	Material	End Connection	Seals	Pressure Rating
1/2"	PVC	Socket	FPM	150 PSI @ 70°F Non-Shock
3/4"	CPVC	Threaded	EPDM	100 PSI @ 70°F Non-Shock
1"		Flanged		
1-1/4"				
1-1/2"				
2"				
2-1/2"				
3"				
4"				

