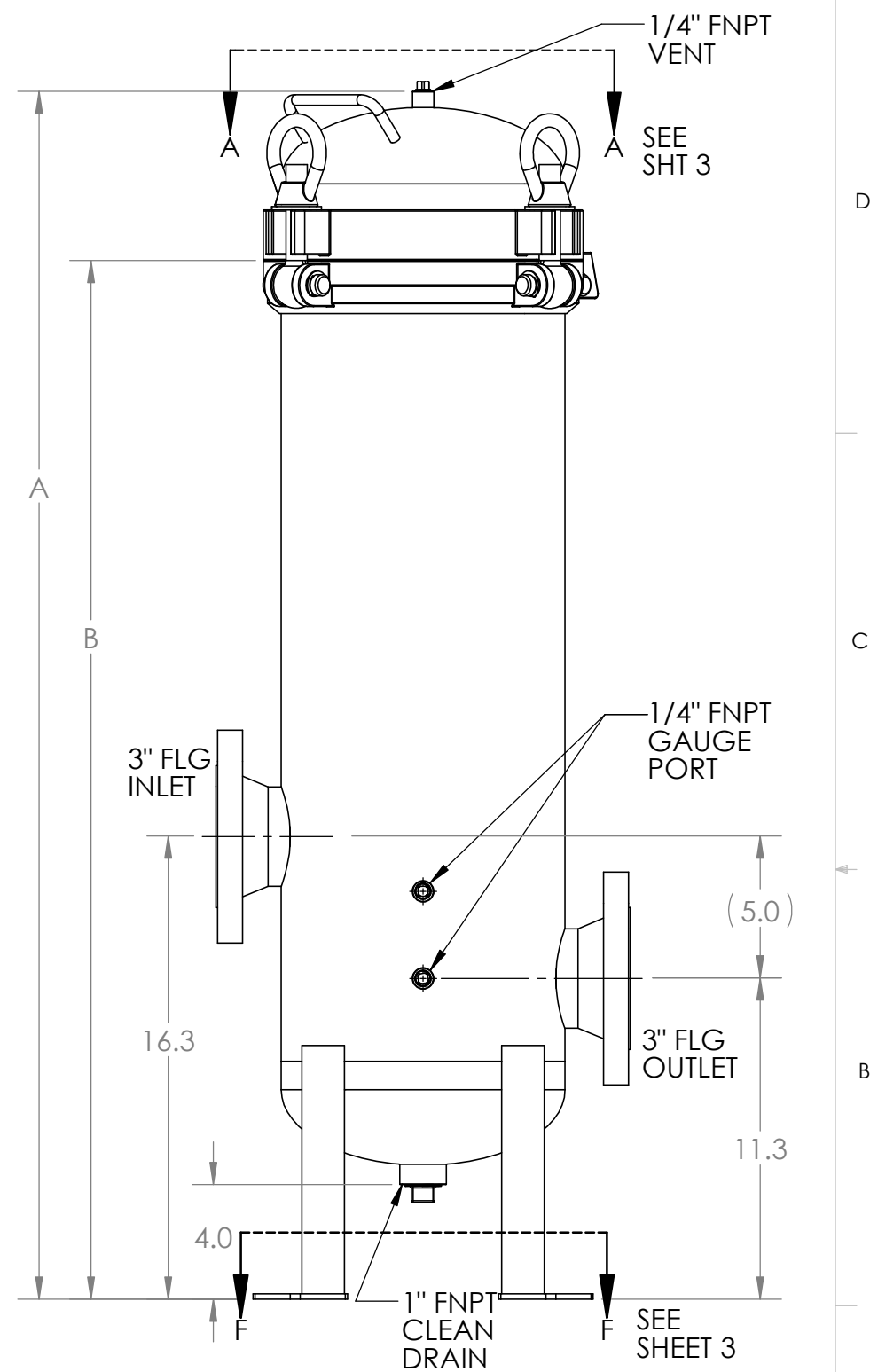
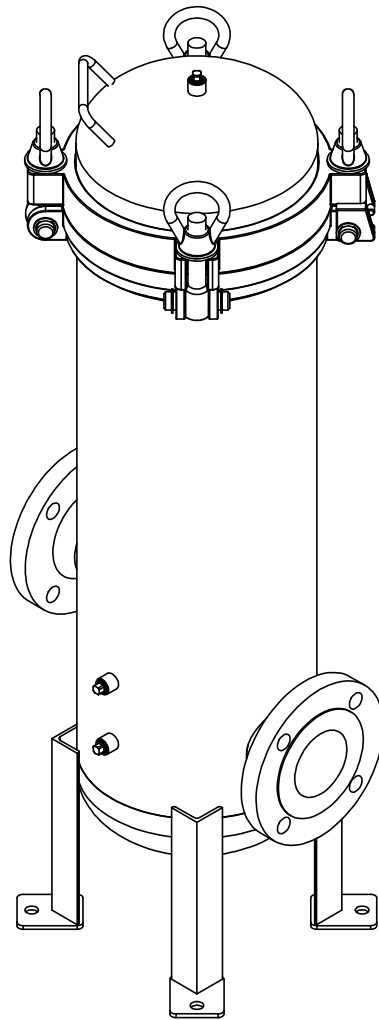


TABULATION		
PART NO.	DESCRIPTION	GLOBAL FILTER MODEL NO.
21096-01	FLTR HSG ASSY, GTCH7 SER, 20", 3F, 304 SS, GB, CODE	GTCH723F2415GBU
21096-02	FLTR HSG ASSY, GTCH7 SER, 20", 3F, 304 SS, GB	GTCH723F2415GB
21096-03	FLTR HSG ASSY, GTCH7 SER, 30", 3F, 304 SS, GB, CODE	GTCH733F2415GBU
21096-04	FLTR HSG ASSY, GTCH7 SER, 30", 3F, 304 SS, GB	GTCH733F2415GB
21096-05	FLTR HSG ASSY, GTCH7 SER, 40", 3F, 304 SS, GB, CODE	GTCH743F2415GBU
21096-06	FLTR HSG ASSY, GTCH7 SER, 40", 3F, 304 SS, GB	GTCH743F2415GB
21096-07	FLTR HSG ASSY, GTCH7 SER, 20", 3F, 316 SS, GB, CODE	GTCH723F2615GBU
21096-08	FLTR HSG ASSY, GTCH7 SER, 20", 3F, 316 SS, GB	GTCH723F2615GB
21096-09	FLTR HSG ASSY, GTCH7 SER, 30", 3F, 316 SS, GB, CODE	GTCH733F2615GBU
21096-10	FLTR HSG ASSY, GTCH7 SER, 30", 3F, 316 SS, GB	GTCH733F2615GB
21096-11	FLTR HSG ASSY, GTCH7 SER, 40", 3F, 316 SS, GB, CODE	GTCH743F2615GBU
21096-12	FLTR HSG ASSY, GTCH7 SER, 40", 3F, 316 SS, GB	GTCH743F2615GB
21096-13	FLTR HSG ASSY, GTCH7 SER, 20", 3F, 304 SS, EP, CODE	GTCH723F2415EPU
21096-14	FLTR HSG ASSY, GTCH7 SER, 20", 3F, 304 SS, EP	GTCH723F2415EP
21096-15	FLTR HSG ASSY, GTCH7 SER, 30", 3F, 304 SS, EP, CODE	GTCH733F2415EPU
21096-16	FLTR HSG ASSY, GTCH7 SER, 30", 3F, 304 SS, EP	GTCH733F2415EP
21096-17	FLTR HSG ASSY, GTCH7 SER, 40", 3F, 304 SS, EP, CODE	GTCH743F2415EPU
21096-18	FLTR HSG ASSY, GTCH7 SER, 40", 3F, 304 SS, EP	GTCH743F2415EP
21096-19	FLTR HSG ASSY, GTCH7 SER, 20", 3F, 316 SS, EP, CODE	GTCH723F2615EPU
21096-20	FLTR HSG ASSY, GTCH7 SER, 20", 3F, 316 SS, EP	GTCH723F2615EP
21096-21	FLTR HSG ASSY, GTCH7 SER, 30", 3F, 316 SS, EP, CODE	GTCH733F2615EPU
21096-22	FLTR HSG ASSY, GTCH7 SER, 30", 3F, 316 SS, EP	GTCH733F2615EP
21096-23	FLTR HSG ASSY, GTCH7 SER, 40", 3F, 316 SS, EP, CODE	GTCH743F2615EPU
21096-24	FLTR HSG ASSY, GTCH7 SER, 40", 3F, 316 SS, EP	GTCH743F2615EP

SHIPPING WEIGHT AND SIZE MAY DIFFER FROM STATED VALUES DUE TO PALLETIZING AND QUANTITY CONSIDERATIONS		
VESSEL SIZE	BOXED WEIGHT (LBS)	BOX SIZE (INCHES)
GTCH72-		15 x 15 x 40
GTCH73-		15 x 15 x 50
GTCH74-		15 x 15 x 60

DIMENSIONS		
MODEL NO.	A (in)	B (in)
GTCH72-	41.9	36.2
GTCH73-	51.9	46.2
GTCH74-	61.9	56.2



- NOTES:
- UNLESS TOLERANCES ARE INDICATED, ALL DIMENSIONS ARE REFERENCE.
  - SEE SHEET 2 FOR BILL OF MATERIALS.
  - ALL MODELS COMPLY WITH REQUIREMENTS FOR DESIGN AND CONSTRUCTION IN ACCORDANCE WITH THE ASME BOILER & PRESSURE VESSEL CODE, SECTION VIII, DIVISION 1. MODELS BEARING THE "U" OR "UM" STAMP ARE REGISTERED WITH THE NATIONAL BOARD OF BOILER AND PRESSURE VESSEL INSPECTORS.

**PROPRIETARY AND CONFIDENTIAL**  
 THE INFORMATION CONTAINED IN THIS DRAWING IS THE SOLE PROPERTY OF GLOBAL FILTER LLC. ANY REPRODUCTION IN PART OR AS A WHOLE WITHOUT THE WRITTEN PERMISSION OF GLOBAL FILTER LLC IS PROHIBITED.

REFERENCE ENGINEERING DRAWING 21096

				<b>GLOBAL FILTER LLC</b> TITLE: <b>FLTR HSG ASSY, 3" FLG SISO GTCH7 SER, TAB</b>	
		MATERIAL SEE TABULATION TABLE			
		FINISH SEE TABULATION TABLE		SIZE <b>B</b> DWG. NO. <b>CS032</b> REV <b>B</b>	SCALE: 1:6 WEIGHT: 109 lbs. SHEET 1 OF 3
B	EC200624-01	DRAWN BY ME 2-26-15			
A	EC150219-02	ENG APPR. EG 3-2-15			
REV	EC NUMBER				
EC HISTORY					

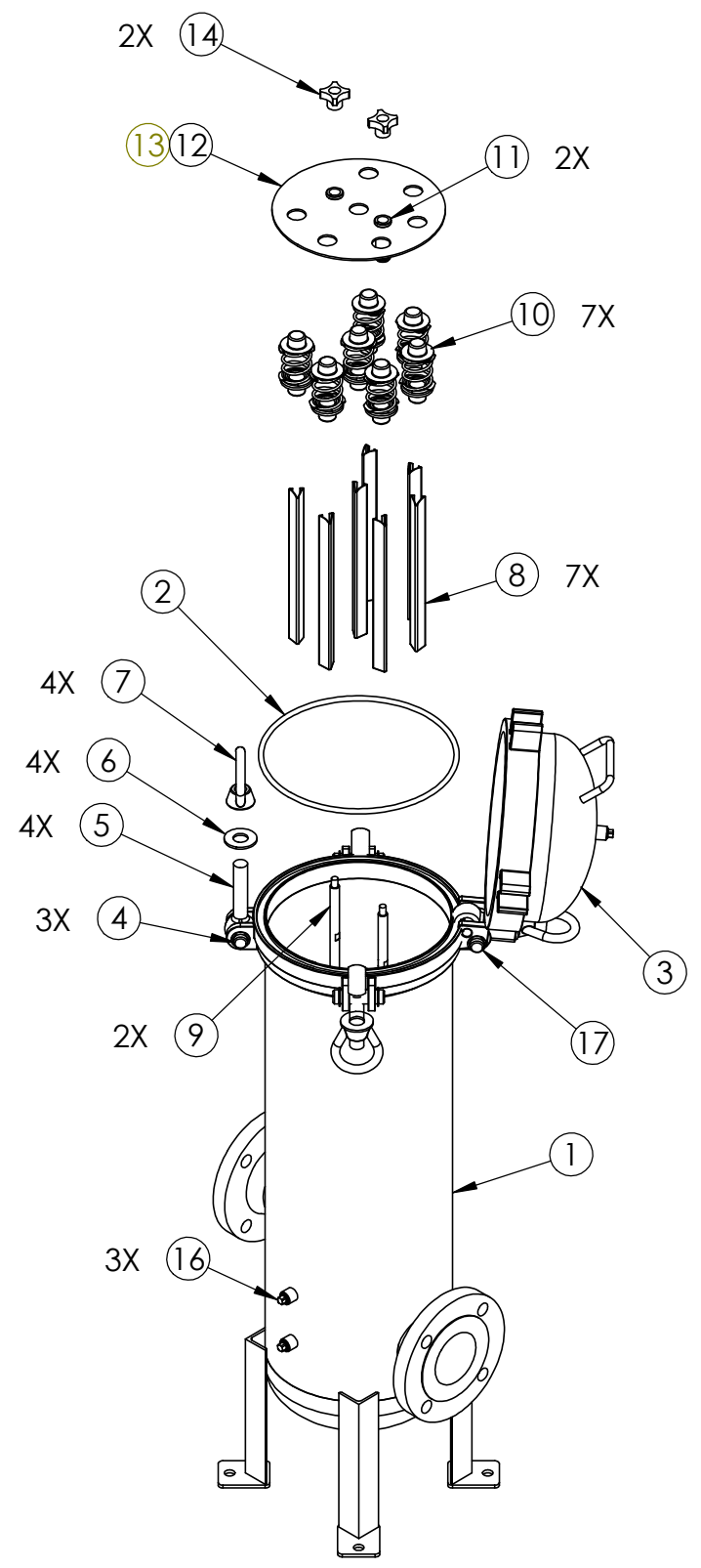
BILL OF MATERIALS

ITEM	DESCRIPTION	21096-xx																							
		-01 QTY	-02 QTY	-03 QTY	-04 QTY	-05 QTY	-06 QTY	-07 QTY	-08 QTY	-09 QTY	-10 QTY	-11 QTY	-12 QTY	-13 QTY	-14 QTY	-15 QTY	-16 QTY	-17 QTY	-18 QTY	-19 QTY	-20 QTY	-21 QTY	-22 QTY	-23 QTY	-24 QTY
1	FLTR HSG WLDMNT, 3" FLG SISO GTCH7 SER, 20" 304 SS	1	1											1	1										
	FLTR HSG WLDMNT, 3" FLG SISO GTCH7 SER, 30" 304 SS			1	1										1	1									
	FLTR HSG WLDMNT, 3" FLG SISO GTCH7 SER, 40" 304 SS					1	1											1	1						
	FLTR HSG WLDMNT, 3" FLG SISO GTCH7 SER, 20" 316 SS								1	1										1	1				
	FLTR HSG WLDMNT, 3" FLG SISO GTCH7 SER, 30" 316 SS										1	1										1	1		
	FLTR HSG WLDMNT, 3" FLG SISO GTCH7 SER, 40" 316 SS												1	1										1	1
2	O-RING, METRIC 258 ID X 7 CS, NITRILE	1	1	1	1	1	1	1	1	1	1	1	1	1	1	1	1	1	1	1	1	1	1	1	1
3	LID WELDMENT, GTCH7 SERIES, 304 SS	1	1	1	1	1	1							1	1	1	1	1							
	LID WELDMENT, GTCH7 SERIES, 316 SS								1	1	1	1	1							1	1	1	1	1	1
4	KIT, CLEVIS PEN w/ RETAINING RINGS, .75 x 2.0"	3	3	3	3	3	3	3	3	3	3	3	3	3	3	3	3	3	3	3	3	3	3	3	3
5	EYE BOLT, 3/4"-10	4	4	4	4	4	4	4	4	4	4	4	4	4	4	4	4	4	4	4	4	4	4	4	4
6	WASHER, 3/4" FLAT, SS	4	4	4	4	4	4	4	4	4	4	4	4	4	4	4	4	4	4	4	4	4	4	4	4
7	EYE NUT, 3/4"-10	4	4	4	4	4	4	4	4	4	4	4	4	4	4	4	4	4	4	4	4	4	4	4	4
8	V-POST, GTCHB SERIES, 20", 304 SS	7	7											7	7										
	V-POST, GTCHB SERIES, 30", 304 SS			7	7											7	7								
	V-POST, GTCHB SERIES, 40", 304 SS					7	7											7	7						
	V-POST, GTCHB SERIES, 20", 316 SS								7	7										7	7				
	V-POST, GTCHB SERIES, 30", 316 SS										7	7										7	7		
	V-POST, GTCHB SERIES, 40", 316 SS											7	7										7	7	
9	TIE ROD, GTCH SERIES, 20", 304 SS	2	2													2	2								
	TIE ROD, GTCH SERIES, 30", 304 SS			2	2												2	2							
	TIE ROD, GTCH SERIES, 40", 304 SS					2	2											2	2						
	TIE ROD, GTCH SERIES, 20", 316 SS								2	2										2	2				
	TIE ROD, GTCH SERIES, 30", 316 SS										2	2										2	2		
	TIE ROD, GTCH SERIES, 40", 316 SS												2	2									2	2	
10	SPRING ASSEMBLY, CARTRIDGE VESSELS, 304 SS	7	7	7	7	7	7							7	7	7	7	7	7						
	SPRING ASSEMBLY, CARTRIDGE VESSELS, 316 SS								7	7	7	7	7	7						7	7	7	7	7	7
11	HOLD DOWN PLT POST w/ EXT RET RINGS KIT, 304 SS	2	2	2	2	2	2							2	2	2	2	2	2						
	HOLD DOWN PLT POST w/ EXT RET RINGS KIT, 316 SS								2	2	2	2	2	2						2	2	2	2	2	2
12	HOLD DOWN PLT, CLOSED & DOE, GTCH7 SER, 304 SS	1	1	1	1	1	1							1	1	1	1	1	1						
	HOLD DOWN PLT, CLOSED & DOE, GTCH7 SER, 316 SS								1	1	1	1	1	1						1	1	1	1	1	1
13	HOLD DOWN FIN CTG, GTCH7 SER, 304 SS	1	1	1	1	1	1							1	1	1	1	1	1						
	HOLD DOWN FIN CTG, GTCH7 SER, 316 SS								1	1	1	1	1	1						1	1	1	1	1	1
14	TIE ROD NUT, GTCHB SERIES, 304 SS	2	2	2	2	2	2							2	2	2	2	2	2						
	TIE ROD NUT, GTCHB SERIES, 316 SS								2	2	2	2	2	2						2	2	2	2	2	2
15	PIPE PLUG, 1" HEX HEAD, 304 SS	2	2	2	2	2	2							2	2	2	2	2	2						
	PIPE PLUG, 1" HEX HEAD, 316 SS								2	2	2	2	2	2						2	2	2	2	2	2
16	PIPE PLUG, 1/4" HEX HEAD, 304 SS	3	3	3	3	3	3							3	3	3	3	3	3						
	PIPE PLUG, 1/4" HEX HEAD, 316 SS								3	3	3	3	3	3						3	3	3	3	3	3
17	KIT, CLEVIS PEN w/ RETAINING RINGS, .75 x 2.75"	1	1	1	1	1	1	1	1	1	1	1	1	1	1	1	1	1	1	1	1	1	1	1	1

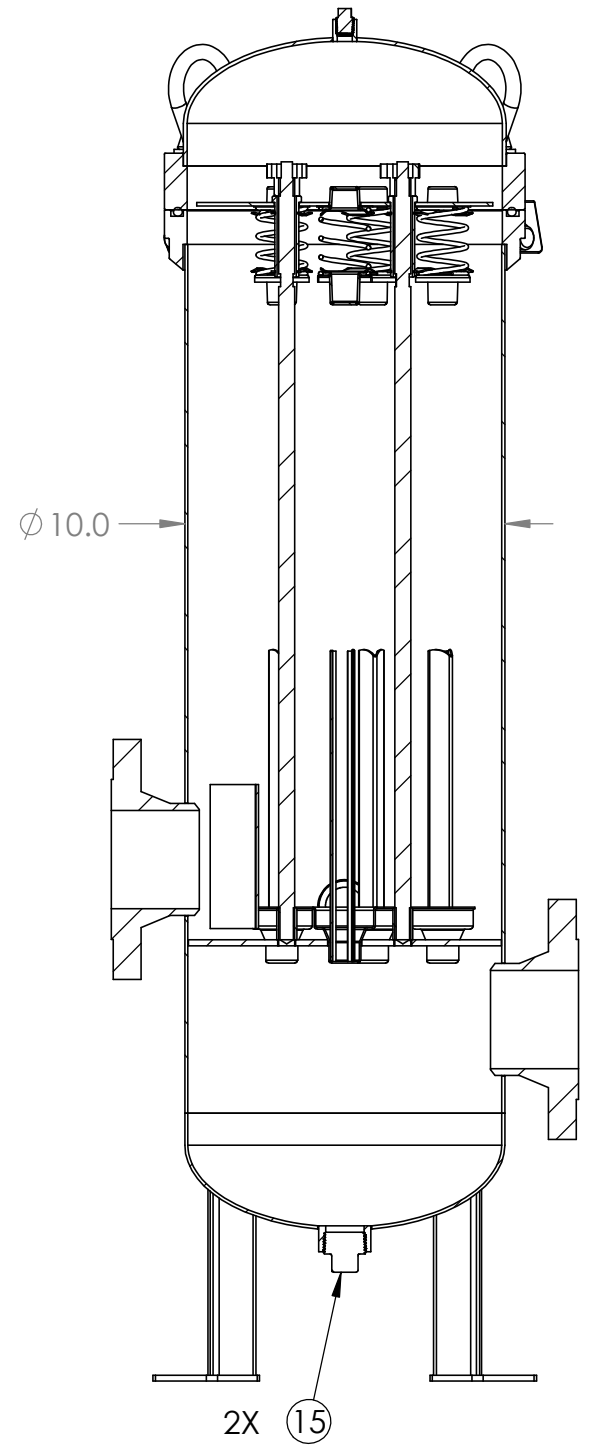
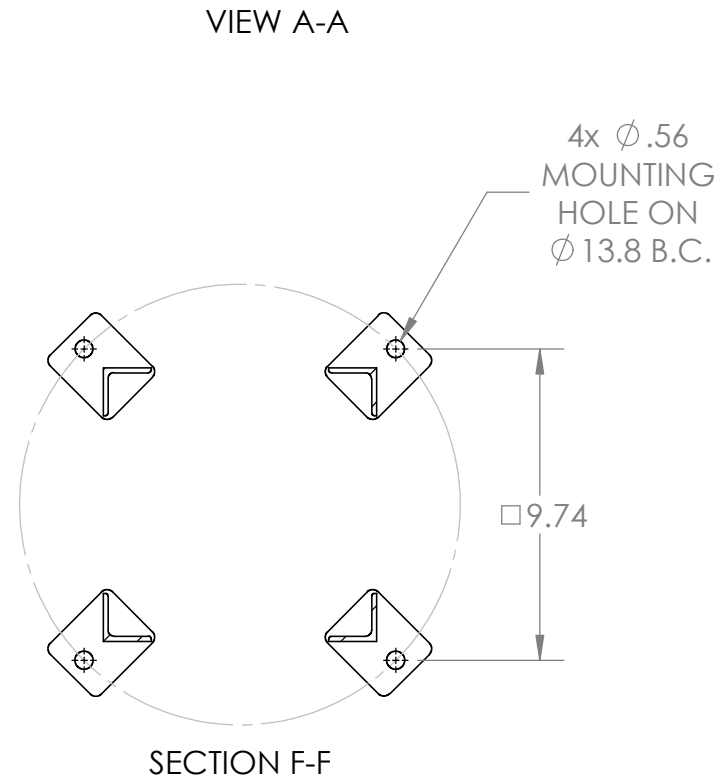
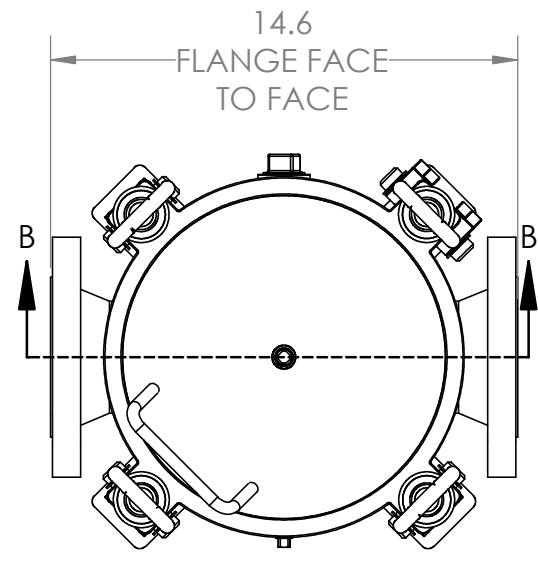
SIZE <b>B</b>	DWG. NO. <b>CS032</b>	REV <b>B</b>
SCALE: 1:1	WEIGHT:	SHEET 2 OF 3

8 7 6 5 4 3 2 1

D  
C  
B  
A



SCALE 1 :10



SECTION B-B

D  
C  
B  
A

8 7 6 5 4 3 2 1

SIZE <b>B</b>	DWG. NO. <b>CS032</b>	REV <b>B</b>
SCALE: 1:6	WEIGHT:	SHEET 3 OF 3