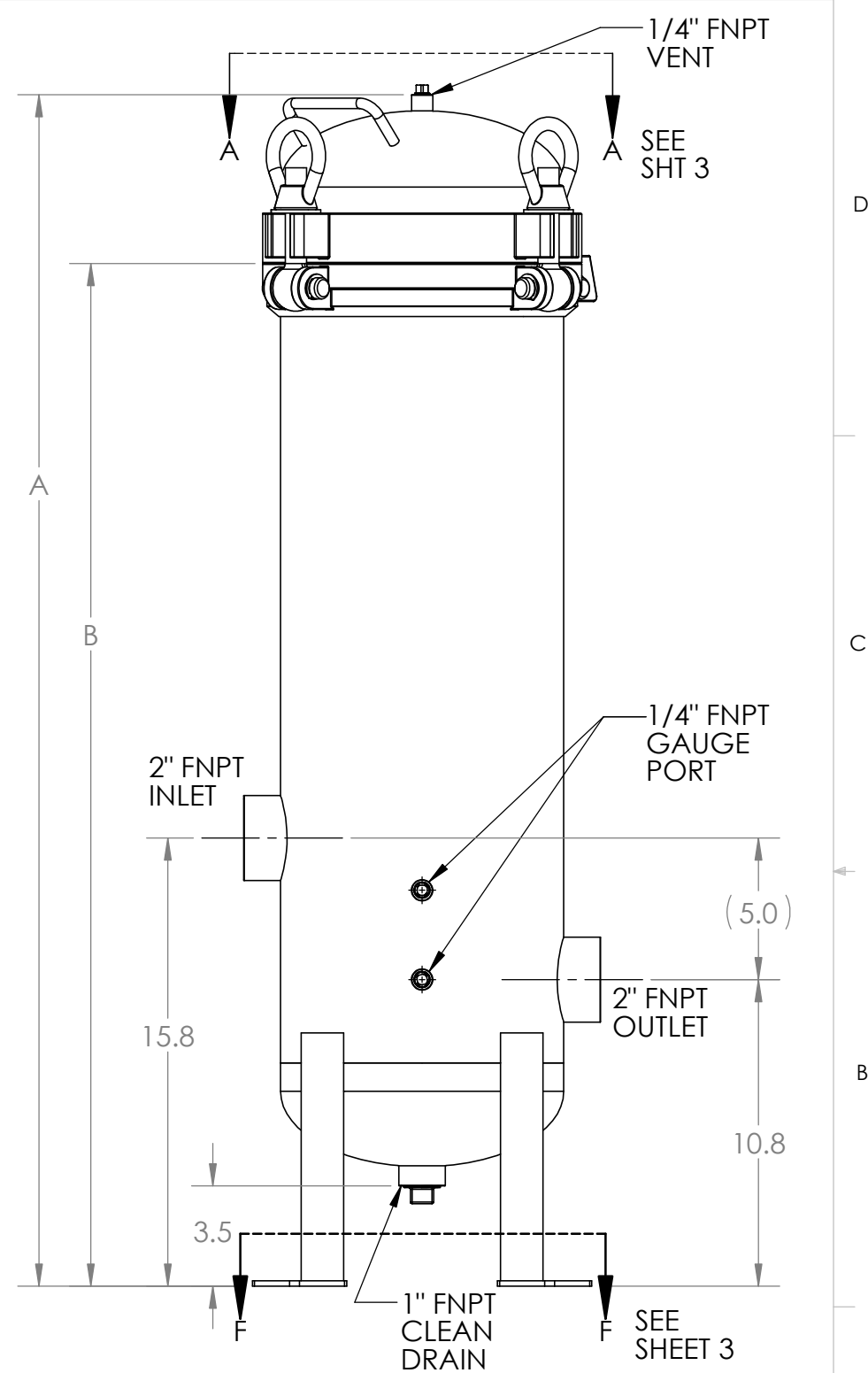
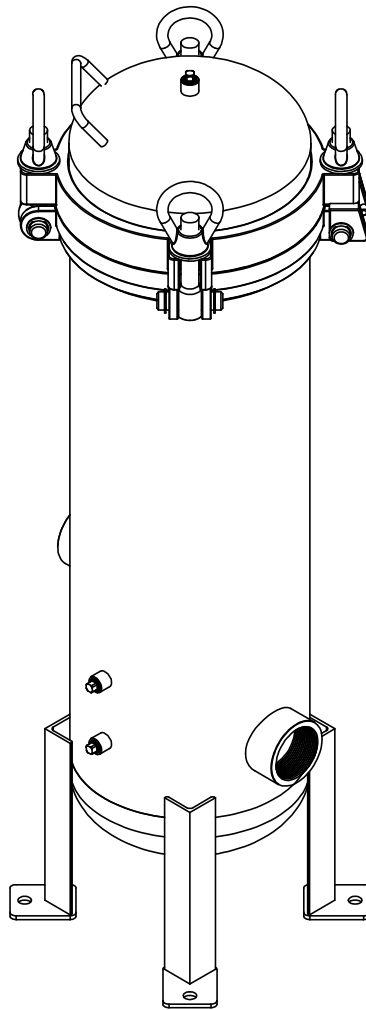


TABULATION		
PART NO.	DESCRIPTION	GLOBAL FILTER MODEL NO.
21164-01	FLTR HSG ASSY, GTCH7 SER, 20", 2N, 304 SS, GB, CODE	GTCH722N2415GBU
21164-02	FLTR HSG ASSY, GTCH7 SER, 20", 2N, 304 SS, GB	GTCH722N2415GB
21164-03	FLTR HSG ASSY, GTCH7 SER, 30", 2N, 304 SS, GB, CODE	GTCH732N2415GBU
21164-04	FLTR HSG ASSY, GTCH7 SER, 30", 2N, 304 SS, GB	GTCH732N2415GB
21164-05	FLTR HSG ASSY, GTCH7 SER, 40", 2N, 304 SS, GB, CODE	GTCH742N2415GBU
21164-06	FLTR HSG ASSY, GTCH7 SER, 40", 2N, 304 SS, GB	GTCH742N2415GB
21164-07	FLTR HSG ASSY, GTCH7 SER, 20", 2N, 316 SS, GB, CODE	GTCH722N2615GBU
21164-08	FLTR HSG ASSY, GTCH7 SER, 20", 2N, 316 SS, GB	GTCH722N2615GB
21164-09	FLTR HSG ASSY, GTCH7 SER, 30", 2N, 316 SS, GB, CODE	GTCH732N2615GBU
21164-10	FLTR HSG ASSY, GTCH7 SER, 30", 2N, 316 SS, GB	GTCH732N2615GB
21164-11	FLTR HSG ASSY, GTCH7 SER, 40", 2N, 316 SS, GB, CODE	GTCH742N2615GBU
21164-12	FLTR HSG ASSY, GTCH7 SER, 40", 2N, 316 SS, GB	GTCH742N2615GB
21164-13	FLTR HSG ASSY, GTCH7 SER, 20", 2N, 304 SS, EP, CODE	GTCH722N2415EPU
21164-14	FLTR HSG ASSY, GTCH7 SER, 20", 2N, 304 SS, EP	GTCH722N2415EP
21164-15	FLTR HSG ASSY, GTCH7 SER, 30", 2N, 304 SS, EP, CODE	GTCH732N2415EPU
21164-16	FLTR HSG ASSY, GTCH7 SER, 30", 2N, 304 SS, EP	GTCH732N2415EP
21164-17	FLTR HSG ASSY, GTCH7 SER, 40", 2N, 304 SS, EP, CODE	GTCH742N2415EPU
21164-18	FLTR HSG ASSY, GTCH7 SER, 40", 2N, 304 SS, EP	GTCH742N2415EP
21164-19	FLTR HSG ASSY, GTCH7 SER, 20", 2N, 316 SS, EP, CODE	GTCH722N2615EPU
21164-20	FLTR HSG ASSY, GTCH7 SER, 20", 2N, 316 SS, EP	GTCH722N2615EP
21164-21	FLTR HSG ASSY, GTCH7 SER, 30", 2N, 316 SS, EP, CODE	GTCH732N2615EPU
21164-22	FLTR HSG ASSY, GTCH7 SER, 30", 2N, 316 SS, EP	GTCH732N2615EP
21164-23	FLTR HSG ASSY, GTCH7 SER, 40", 2N, 316 SS, EP, CODE	GTCH742N2615EPU
21164-24	FLTR HSG ASSY, GTCH7 SER, 40", 2N, 316 SS, EP	GTCH742N2615EP

SHIPPING WEIGHT AND SIZE MAY DIFFER FROM STATED VALUES DUE TO PALLETIZING AND QUANTITY CONSIDERATIONS		
VESSEL SIZE	BOXED WEIGHT (LBS)	BOX SIZE (INCHES)
GTCH72-		14 x 14 x 40
GTCH73-		14 x 14 x 50
GTCH74-		14 x 14 x 60

DIMENSIONS		
MODEL NO.	A (in)	B (in)
GTCH72-	41.7	36.1
GTCH73-	51.7	46.1
GTCH74-	61.7	56.1



- NOTES:
- UNLESS TOLERANCES ARE INDICATED, ALL DIMENSIONS ARE REFERENCE.
 - SEE SHEET 2 FOR BILL OF MATERIALS.
 - ALL MODELS COMPLY WITH REQUIREMENTS FOR DESIGN AND CONSTRUCTION IN ACCORDANCE WITH THE ASME BOILER & PRESSURE VESSEL CODE, SECTION VIII, DIVISION 1. MODELS BEARING THE "U" OR "UM" STAMP ARE REGISTERED WITH THE NATIONAL BOARD OF BOILER AND PRESSURE VESSEL INSPECTORS.

PROPRIETARY AND CONFIDENTIAL
 THE INFORMATION CONTAINED IN THIS DRAWING IS THE SOLE PROPERTY OF GLOBAL FILTER LLC. ANY REPRODUCTION IN PART OR AS A WHOLE WITHOUT THE WRITTEN PERMISSION OF GLOBAL FILTER LLC IS PROHIBITED.

REFERENCE ENGINEERING DRAWING 21164

REV	EC NUMBER	MATERIAL	SEE TABULATION TABLE
B	EC200402-01	FINISH	SEE TABULATION TABLE
A	EC150219-02	DRAWN BY	ME
		ENG APPR.	EG
EC HISTORY		NAME	DATE
			3-2-15
			3-9-15

GLOBAL FILTER LLC

TITLE:
FLTR HSG ASSY, 2" FNPT SISO GTCH7 SER, TAB

SIZE **B** DWG. NO. **CS100** REV **B**

SCALE: 1:6 WEIGHT: 61 lbs. SHEET 1 OF 3

BILL OF MATERIALS

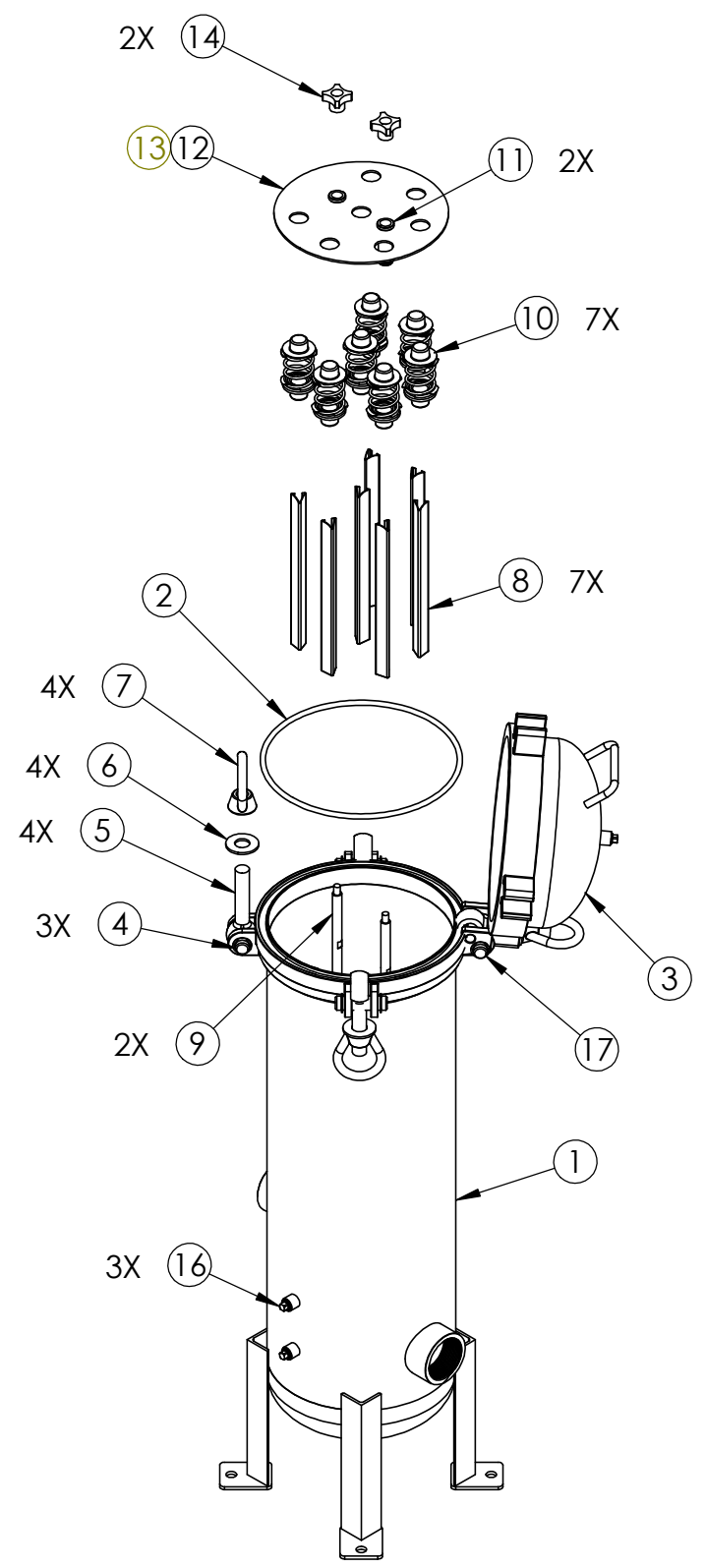
ITEM	DESCRIPTION	21164-xx																							
		-01 QTY	-02 QTY	-03 QTY	-04 QTY	-05 QTY	-06 QTY	-07 QTY	-08 QTY	-09 QTY	-10 QTY	-11 QTY	-12 QTY	-13 QTY	-14 QTY	-15 QTY	-16 QTY	-17 QTY	-18 QTY	-19 QTY	-20 QTY	-21 QTY	-22 QTY	-23 QTY	-24 QTY
1	FLTR HSG WLDMNT, 2" FNPT SISO GTCH7 SER, 20" 304 SS	1	1											1	1										
	FLTR HSG WLDMNT, 2" FNPT SISO GTCH7 SER, 30" 304 SS			1	1										1	1									
	FLTR HSG WLDMNT, 2" FNPT SISO GTCH7 SER, 40" 304 SS					1	1											1	1						
	FLTR HSG WLDMNT, 2" FNPT SISO GTCH7 SER, 20" 316 SS								1	1										1	1				
	FLTR HSG WLDMNT, 2" FNPT SISO GTCH7 SER, 30" 316 SS										1	1										1	1		
	FLTR HSG WLDMNT, 2" FNPT SISO GTCH7 SER, 40" 316 SS											1	1											1	1
2	O-RING, METRIC 258 ID X 7 CS, NITRILE	1	1	1	1	1	1	1	1	1	1	1	1	1	1	1	1	1	1	1	1	1	1	1	1
3	LID WELDMENT, GTCH7 SERIES, 304 SS	1	1	1	1	1	1							1	1	1	1	1							
	LID WELDMENT, GTCH7 SERIES, 316 SS							1	1	1	1	1	1							1	1	1	1	1	1
4	KIT, CLEVIS PEN w/ RETAINING RINGS, .75 x 2.0"	3	3	3	3	3	3	3	3	3	3	3	3	3	3	3	3	3	3	3	3	3	3	3	3
5	EYE BOLT, 3/4"-10	4	4	4	4	4	4	4	4	4	4	4	4	4	4	4	4	4	4	4	4	4	4	4	4
6	WASHER, 3/4" FLAT, SS	4	4	4	4	4	4	4	4	4	4	4	4	4	4	4	4	4	4	4	4	4	4	4	4
7	EYE NUT, 3/4"-10	4	4	4	4	4	4	4	4	4	4	4	4	4	4	4	4	4	4	4	4	4	4	4	4
8	V-POST, GTCHB SERIES, 20", 304 SS	7	7											7	7										
	V-POST, GTCHB SERIES, 30", 304 SS			7	7											7	7								
	V-POST, GTCHB SERIES, 40", 304 SS					7	7											7	7						
	V-POST, GTCHB SERIES, 20", 316 SS							7	7											7	7				
	V-POST, GTCHB SERIES, 30", 316 SS									7	7											7	7		
	V-POST, GTCHB SERIES, 40", 316 SS											7	7											7	7
9	TIE ROD, GTCH SERIES, 20", 304 SS	2	2													2	2								
	TIE ROD, GTCH SERIES, 30", 304 SS			2	2												2	2							
	TIE ROD, GTCH SERIES, 40", 304 SS					2	2											2	2						
	TIE ROD, GTCH SERIES, 20", 316 SS							2	2											2	2				
	TIE ROD, GTCH SERIES, 30", 316 SS									2	2											2	2		
	TIE ROD, GTCH SERIES, 40", 316 SS											2	2											2	2
10	SPRING ASSEMBLY, CARTRIDGE VESSELS, 304 SS	7	7	7	7	7	7							7	7	7	7	7	7						
	SPRING ASSEMBLY, CARTRIDGE VESSELS, 316 SS							7	7	7	7	7	7							7	7	7	7	7	7
11	HOLD DOWN PLT POST w/ EXT RET RINGS KIT, 304 SS	2	2	2	2	2	2							2	2	2	2	2	2						
	HOLD DOWN PLT POST w/ EXT RET RINGS KIT, 316 SS							2	2	2	2	2	2							2	2	2	2	2	2
12	HOLD DOWN PLT, CLOSED & DOE, GTCH7 SER, 304 SS	1	1	1	1	1	1							1	1	1	1	1	1						
	HOLD DOWN PLT, CLOSED & DOE, GTCH7 SER, 316 SS							1	1	1	1	1	1							1	1	1	1	1	1
13	HOLD DOWN FIN CTG, GTCH7 SER, 304 SS	1	1	1	1	1	1							1	1	1	1	1	1						
	HOLD DOWN FIN CTG, GTCH7 SER, 316 SS							1	1	1	1	1	1							1	1	1	1	1	1
14	TIE ROD NUT, GTCHB SERIES, 304 SS	2	2	2	2	2	2							2	2	2	2	2	2						
	TIE ROD NUT, GTCHB SERIES, 316 SS							2	2	2	2	2	2							2	2	2	2	2	2
15	PIPE PLUG, 1" HEX HEAD, 304 SS	2	2	2	2	2	2							2	2	2	2	2	2						
	PIPE PLUG, 1" HEX HEAD, 316 SS							2	2	2	2	2	2							2	2	2	2	2	2
16	PIPE PLUG, 1/4" HEX HEAD, 304 SS	3	3	3	3	3	3							3	3	3	3	3	3						
	PIPE PLUG, 1/4" HEX HEAD, 316 SS							3	3	3	3	3	3							3	3	3	3	3	3
17	KIT, CLEVIS PEN w/ RETAINING RINGS, .75 x 2.75"	1	1	1	1	1	1	1	1	1	1	1	1	1	1	1	1	1	1	1	1	1	1	1	1

SIZE B	DWG. NO. CS100	REV B
SCALE: 1:1	WEIGHT:	SHEET 2 OF 3

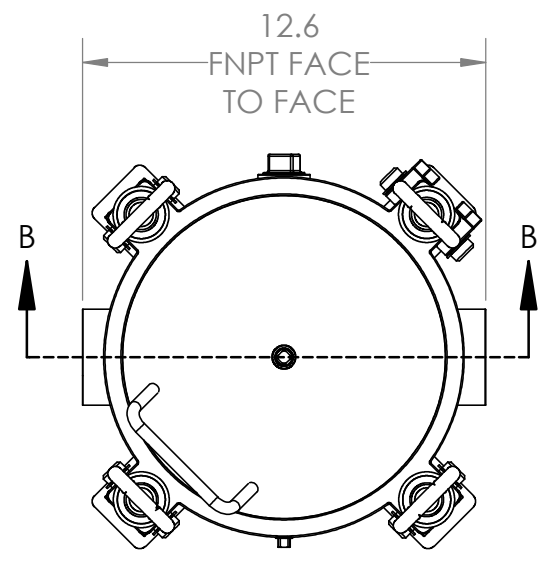
8 7 6 5 4 3 2 1

D
C
B
A

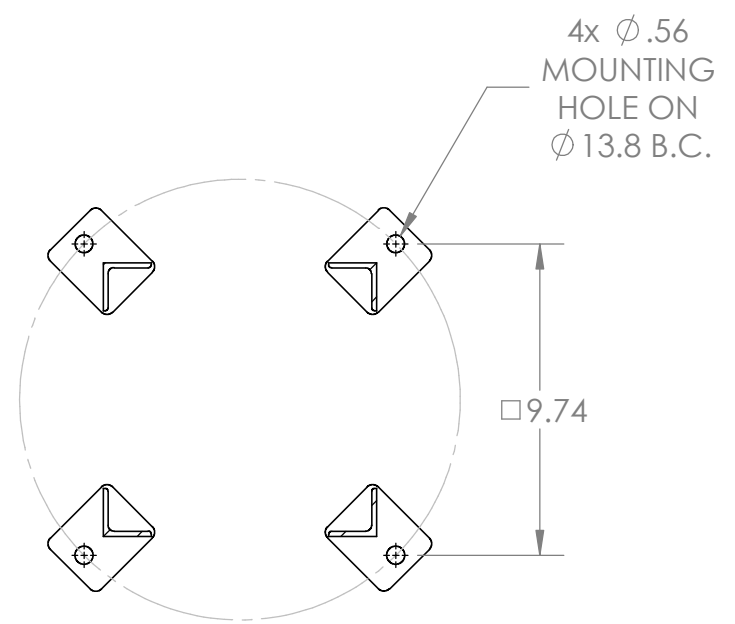
D
C
B
A



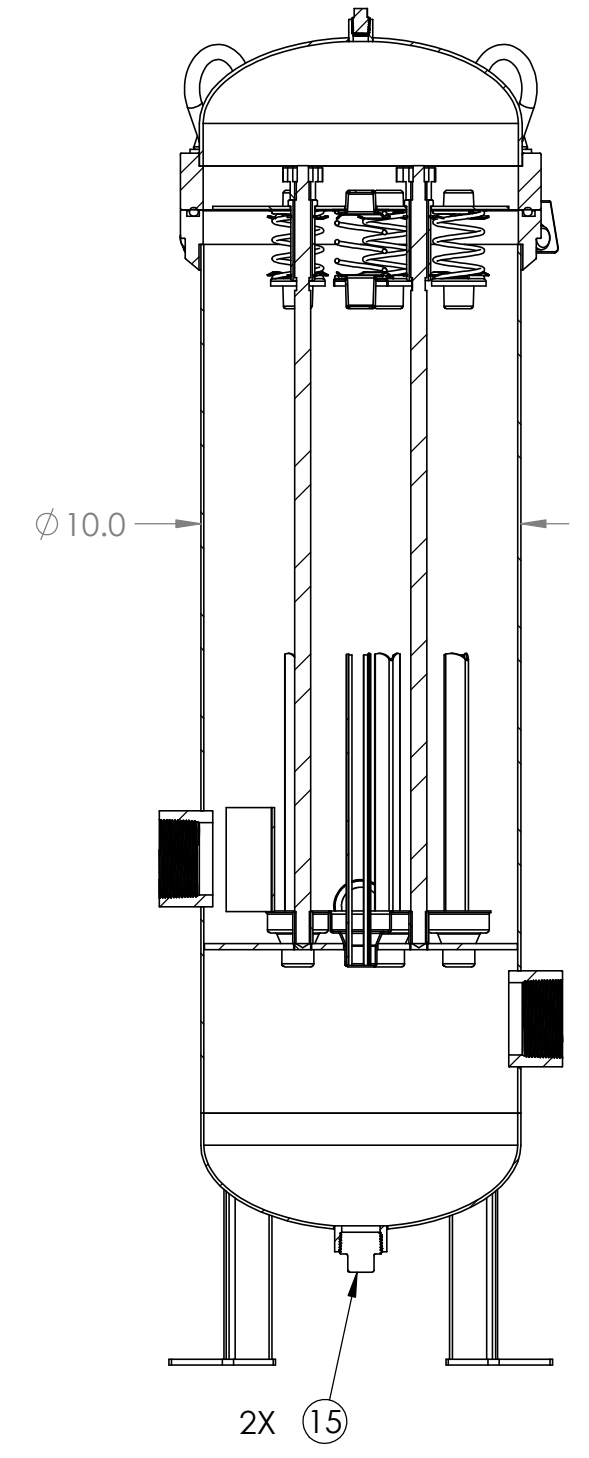
SCALE 1 :10



VIEW A-A



SECTION F-F



SECTION B-B

SIZE B	DWG. NO. CS100	REV B
SCALE: 1:6	WEIGHT:	SHEET 3 OF 3

8 7 6 5 4 3 2 1