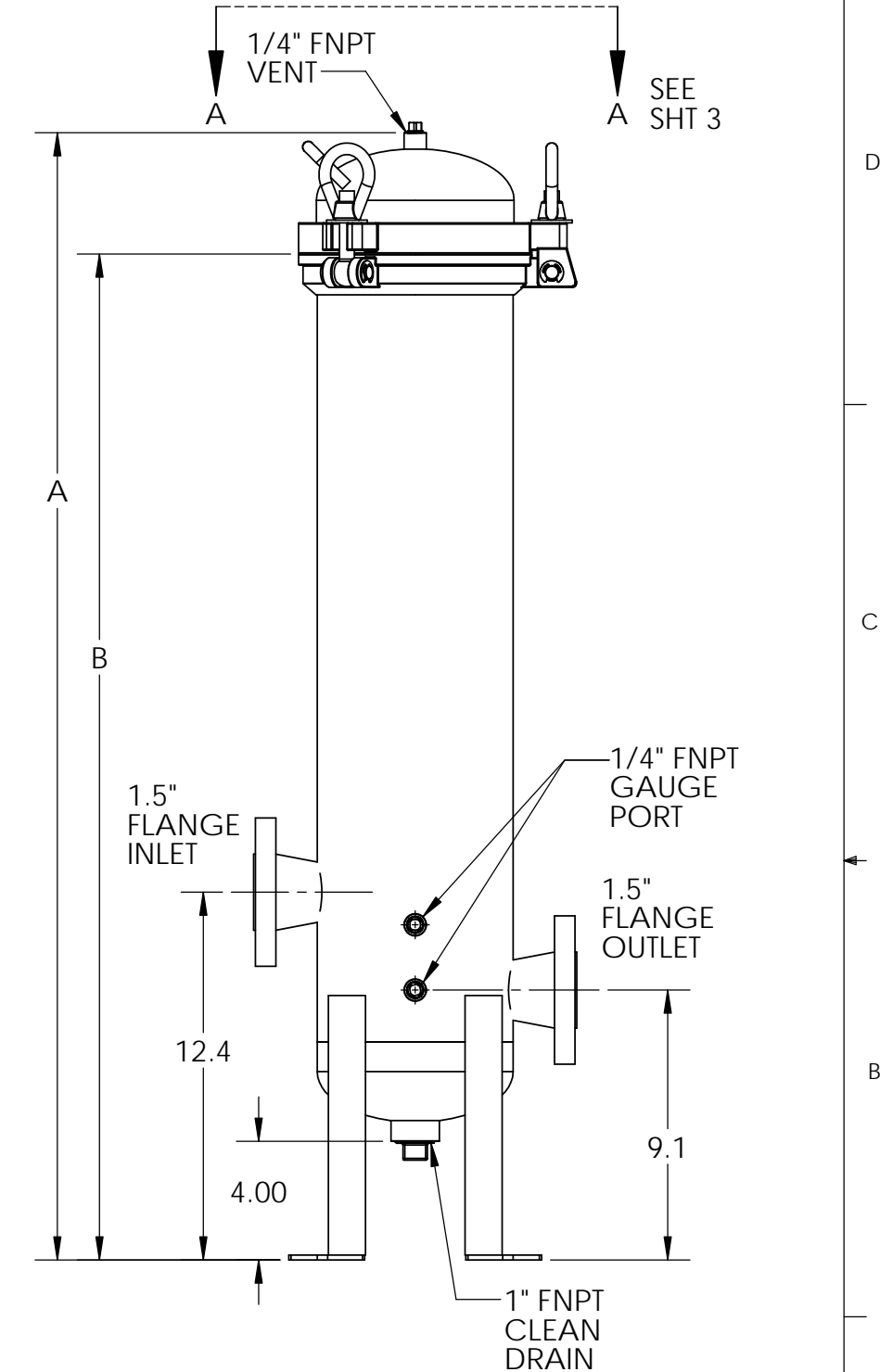
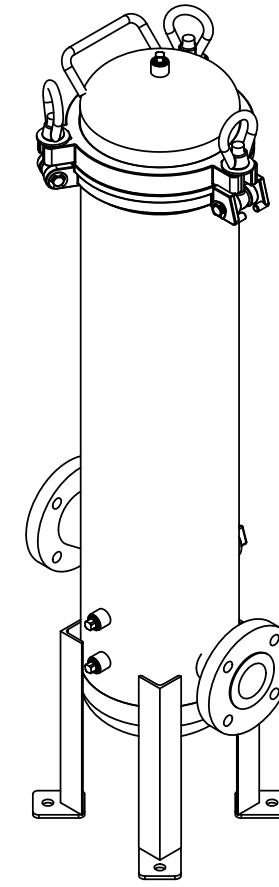


DESCRIPTION	GLOBAL FILTER MODEL NO.	GLOBAL FILTER ERP NO.
FLTR HSG ASSY, GTCH3 SER, 20", 1.5F, 304 SS, GB, CODE	GTCH321.5F2415GBU	
FLTR HSG ASSY, GTCH3 SER, 20", 1.5F, 304 SS, GB	GTCH321.5F2415GB	7-16484
FLTR HSG ASSY, GTCH3 SER, 30", 1.5F, 304 SS, GB, CODE	GTCH331.5F2415GBU	
FLTR HSG ASSY, GTCH3 SER, 30", 1.5F, 304 SS, GB	GTCH331.5F2415GB	
FLTR HSG ASSY, GTCH3 SER, 40", 1.5F, 304 SS, GB, CODE	GTCH341.5F2415GBU	
FLTR HSG ASSY, GTCH3 SER, 40", 1.5F, 304 SS, GB	GTCH341.5F2415GB	
FLTR HSG ASSY, GTCH3 SER, 20", 1.5F, 316 SS, GB, CODE	GTCH321.5F2615GBU	
FLTR HSG ASSY, GTCH3 SER, 20", 1.5F, 316 SS, GB	GTCH321.5F2615GB	
FLTR HSG ASSY, GTCH3 SER, 30", 1.5F, 316 SS, GB, CODE	GTCH331.5F2615GBU	
FLTR HSG ASSY, GTCH3 SER, 30", 1.5F, 316 SS, GB	GTCH331.5F2615GB	
FLTR HSG ASSY, GTCH3 SER, 40", 1.5F, 316 SS, GB, CODE	GTCH341.5F2615GBU	
FLTR HSG ASSY, GTCH3 SER, 40", 1.5F, 316 SS, GB	GTCH341.5F2615GB	
FLTR HSG ASSY, GTCH3 SER, 20", 1.5F, 304 SS, EP, CODE	GTCH321.5F2415EPU	
FLTR HSG ASSY, GTCH3 SER, 20", 1.5F, 304 SS, EP	GTCH321.5F2415EP	
FLTR HSG ASSY, GTCH3 SER, 30", 1.5F, 304 SS, EP, CODE	GTCH331.5F2415EPU	
FLTR HSG ASSY, GTCH3 SER, 30", 1.5F, 304 SS, EP	GTCH331.5F2415EP	
FLTR HSG ASSY, GTCH3 SER, 40", 1.5F, 304 SS, EP, CODE	GTCH341.5F2415EPU	
FLTR HSG ASSY, GTCH3 SER, 40", 1.5F, 304 SS, EP	GTCH341.5F2415EP	
FLTR HSG ASSY, GTCH3 SER, 20", 1.5F, 316 SS, EP, CODE	GTCH321.5F2615EPU	
FLTR HSG ASSY, GTCH3 SER, 20", 1.5F, 316 SS, EP	GTCH321.5F2615EP	7-16112
FLTR HSG ASSY, GTCH3 SER, 30", 1.5F, 316 SS, EP, CODE	GTCH331.5F2615EPU	7-16116
FLTR HSG ASSY, GTCH3 SER, 30", 1.5F, 316 SS, EP	GTCH331.5F2615EP	
FLTR HSG ASSY, GTCH3 SER, 40", 1.5F, 316 SS, EP, CODE	GTCH341.5F2615EPU	
FLTR HSG ASSY, GTCH3 SER, 40", 1.5F, 316 SS, EP	GTCH341.5F2615EP	



DIMENSIONS		
MODEL NO.	A (in)	B (in)
GTCH32-	38	33.9
GTCH33-	48	43.9
GTCH34-	58	53.9

SHIPPING WEIGHT AND SIZE MAY DIFFER FROM STATED VALUES DUE TO PALLETIZING AND QUANTITY CONSIDERATIONS		
VESSEL SIZE	BOXED WEIGHT (LBS)	BOX SIZE (INCHES)
GTCH32-		14 x 14 x 40
GTCH33-	64	14 x 14 x 50
GTCH34-		14 x 14 x 60

- NOTES:
- SEE SHEET 2 FOR BILL OF MATERIALS.
 - UNLESS TOLERANCES ARE INDICATED, ALL DIMENSIONS ARE REFERENCE.
 - ALL MODELS COMPLY WITH REQUIREMENTS FOR DESIGN AND CONSTRUCTION IN ACCORDANCE WITH THE ASME BOILER & PRESSURE VESSEL CODE, SECTION VIII, DIVISION 1. MODELS BEARING THE "U" OR "UM" STAMP ARE REGISTERED WITH THE NATIONAL BOARD OF BOILER AND PRESSURE VESSEL INSPECTORS.

PROPRIETARY AND CONFIDENTIAL
 THE INFORMATION CONTAINED IN THIS DRAWING IS THE SOLE PROPERTY OF GLOBAL FILTER LLC. ANY REPRODUCTION IN PART OR AS A WHOLE WITHOUT THE WRITTEN PERMISSION OF GLOBAL FILTER LLC IS PROHIBITED.

REFERENCE ENGINEERING DRAWING 21083

				GLOBAL FILTER LLC	
		MATERIAL SEE TABULATION TABLE		SIZE B	DWG. NO. CS095
		FINISH SEE TABULATION TABLE			
B	EC161020-01	NAME	DATE	SCALE: 1:6	
A	EC150219-02	ME	10-25-16	WEIGHT:	
REV	EC NUMBER	EG	10-25-16	SHEET 1 OF 3	
EC HISTORY		ENG APPR.			

8 7 6 5 4 3 2 1

D

D

C

C

B

B

A

A

8 7 6 5 4 3 2 1

BILL OF MATERIALS

ITEM	DESCRIPTION	CS095-xx																							
		-01 QTY	-02 QTY	-03 QTY	-04 QTY	-05 QTY	-06 QTY	-07 QTY	-08 QTY	-09 QTY	-10 QTY	-11 QTY	-12 QTY	-13 QTY	-14 QTY	-15 QTY	-16 QTY	-17 QTY	-18 QTY	-19 QTY	-20 QTY	-21 QTY	-22 QTY	-23 QTY	-24 QTY
1	FLTR HSG WLDMNT, 1.5" FLG SISO GTCH3 SER, 20" 304 SS	1	1										1	1											
	FLTR HSG WLDMNT, 1.5" FLG SISO GTCH3 SER, 30" 304 SS			1	1										1	1									
	FLTR HSG WLDMNT, 1.5" FLG SISO GTCH3 SER, 40" 304 SS					1	1										1	1							
	FLTR HSG WLDMNT, 1.5" FLG SISO GTCH3 SER, 20" 316 SS							1	1											1	1				
	FLTR HSG WLDMNT, 1.5" FLG SISO GTCH3 SER, 30" 316 SS									1	1											1	1		
	FLTR HSG WLDMNT, 1.5" FLG SISO GTCH3 SER, 40" 316 SS											1	1											1	1
2	O-RING, METRIC 172 ID X 7 CS, NITRILE	1	1	1	1	1	1	1	1	1	1	1	1	1	1	1	1	1	1	1	1	1	1	1	
3	LID WELDMENT, GTCH3 SERIES, 304 SS	1	1	1	1	1	1							1	1	1	1	1	1						
	LID WELDMENT, GTCH3 SERIES, 316 SS							1	1	1	1	1	1							1	1	1	1	1	
4	KIT, CLEVIS PEN w/ RETAINING RINGS	3	3	3	3	3	3	3	3	3	3	3	3	3	3	3	3	3	3	3	3	3	3	3	
5	EYE BOLT, 1/2"	3	3	3	3	3	3	3	3	3	3	3	3	3	3	3	3	3	3	3	3	3	3	3	
6	WASHER, FLAT, SS	3	3	3	3	3	3	3	3	3	3	3	3	3	3	3	3	3	3	3	3	3	3	3	
7	EYE NUT, 1/2"-13	3	3	3	3	3	3	3	3	3	3	3	3	3	3	3	3	3	3	3	3	3	3	3	
8	V-POST, GTCHB SERIES, 20", 304 SS	3	3											3	3										
	V-POST, GTCHB SERIES, 30", 304 SS			3	3											3	3								
	V-POST, GTCHB SERIES, 40", 304 SS					3	3											3	3						
	V-POST, GTCHB SERIES, 20", 316 SS							3	3											3	3				
	V-POST, GTCHB SERIES, 30", 316 SS									3	3											3	3		
	V-POST, GTCHB SERIES, 40", 316 SS											3	3											3	3
9	TIE ROD, GTCH SERIES, 20", 304 SS	1	1											1	1										
	TIE ROD, GTCH SERIES, 30", 304 SS			1	1											1	1								
	TIE ROD, GTCH SERIES, 40", 304 SS					1	1											1	1						
	TIE ROD, GTCH SERIES, 20", 316 SS							1	1											1	1				
	TIE ROD, GTCH SERIES, 30", 316 SS									1	1											1	1		
	TIE ROD, GTCH SERIES, 40", 316 SS											1	1											1	1
10	SPRING ASSEMBLY, CARTRIDGE VESSELS, 304 SS	3	3	3	3	3	3							3	3	3	3	3	3						
	SPRING ASSEMBLY, CARTRIDGE VESSELS, 316 SS							3	3	3	3	3	3							3	3	3	3	3	
11	HOLD DOWN PLT POST w/ EXT RET RINGS KIT, 304 SS	1	1	1	1	1	1							1	1	1	1	1	1						
	HOLD DOWN PLT POST w/ EXT RET RINGS KIT, 316 SS							1	1	1	1	1	1							1	1	1	1	1	
12	HOLD DOWN PLT, CLOSED & DOE, GTCH3 SER, 304 SS	1	1	1	1	1	1							1	1	1	1	1	1						
	HOLD DOWN PLT, CLOSED & DOE, GTCH3 SER, 316 SS							1	1	1	1	1	1							1	1	1	1	1	
13	HOLD DOWN FIN CTG, GTCH3 SER, 304 SS	1	1	1	1	1	1							1	1	1	1	1	1						
	HOLD DOWN FIN CTG, GTCH3 SER, 316 SS							1	1	1	1	1	1							1	1	1	1	1	
14	TIE ROD NUT, GTCHB SERIES, 304 SS	1	1	1	1	1	1							1	1	1	1	1	1						
	TIE ROD NUT, GTCHB SERIES, 316 SS							1	1	1	1	1	1							1	1	1	1	1	
15	PIPE PLUG, 1" FNPT HEX HEAD, 304 SS	1	1	1	1	1	1							1	1	1	1	1	1						
	PIPE PLUG, 1" FNPT HEX HEAD, 316 SS							1	1	1	1	1	1							1	1	1	1	1	
16	PIPE PLUG, 1/4" FNPT HEX HEAD, 304 SS	3	3	3	3	3	3							3	3	3	3	3	3						
	PIPE PLUG, 1/4" FNPT HEX HEAD, 316 SS							3	3	3	3	3	3							3	3	3	3	3	

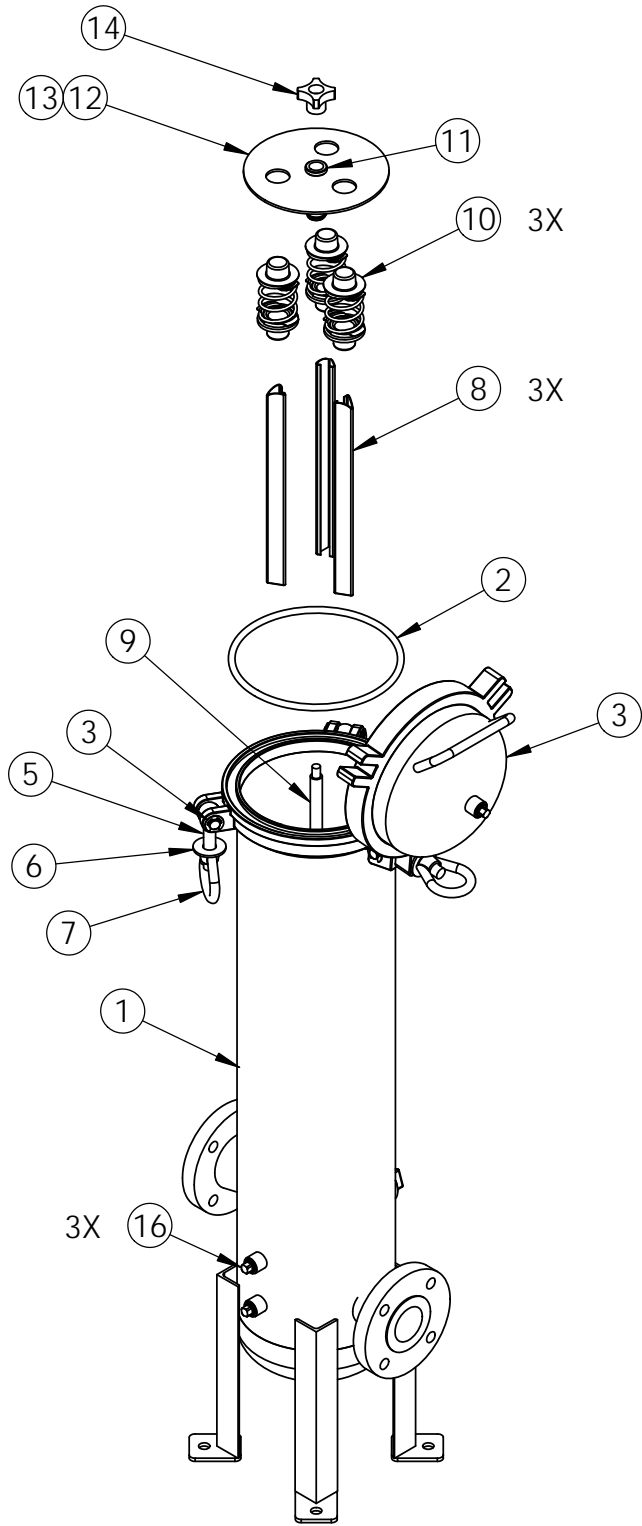
D
C
B
A

D
C
B
A

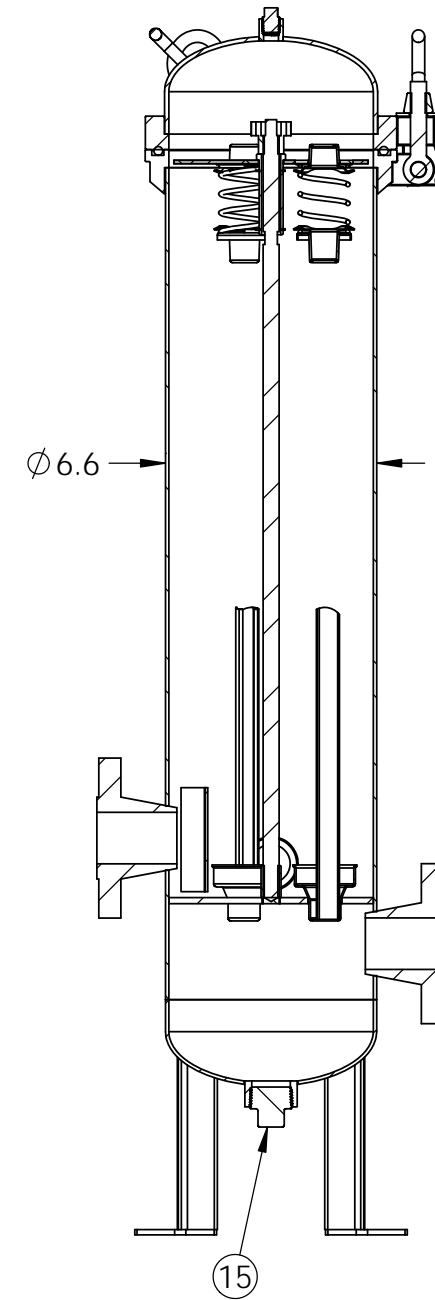
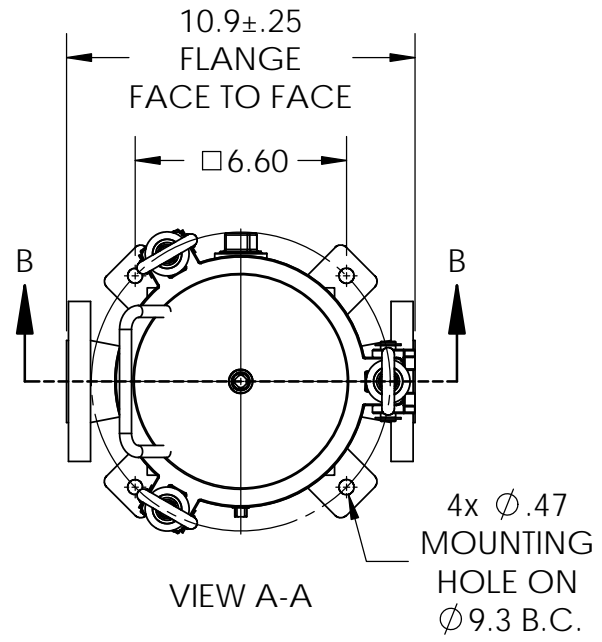
SIZE B	DWG. NO. CS095	REV B
SCALE: 1:1	WEIGHT:	SHEET 2 OF 3

8 7 6 5 4 3 2 1

D
C
B
A



SCALE 1 : 6



D
C
B
A

8 7 6 5 4 3 2 1

SIZE B	DWG. NO. CS095	REV B
SCALE: 1:6	WEIGHT:	SHEET 3 OF 3