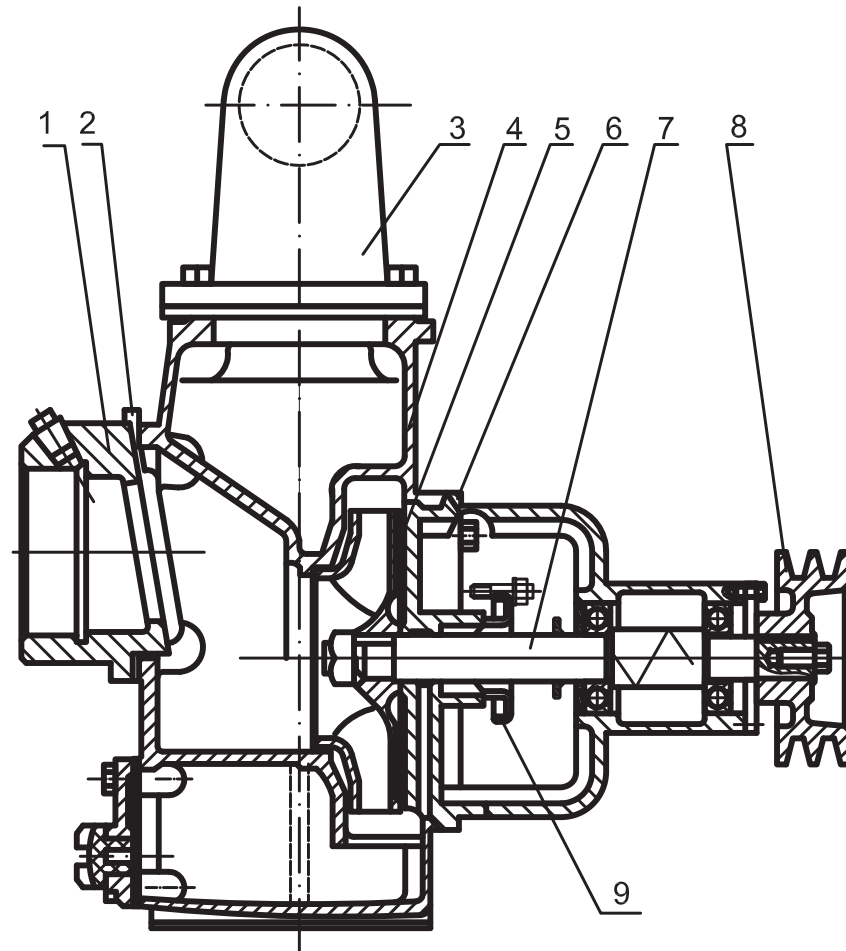


## Part list for FSR type

1. Suction
2. Check Valve
3. Discharge
4. Casing
5. Impeller
6. Bearing Housing
7. Shaft
8. Pulley Or Coupling
9. Gland

Direction of rotation:

Anti-clockwise viewing from driving end.



**FSR Sectional View**