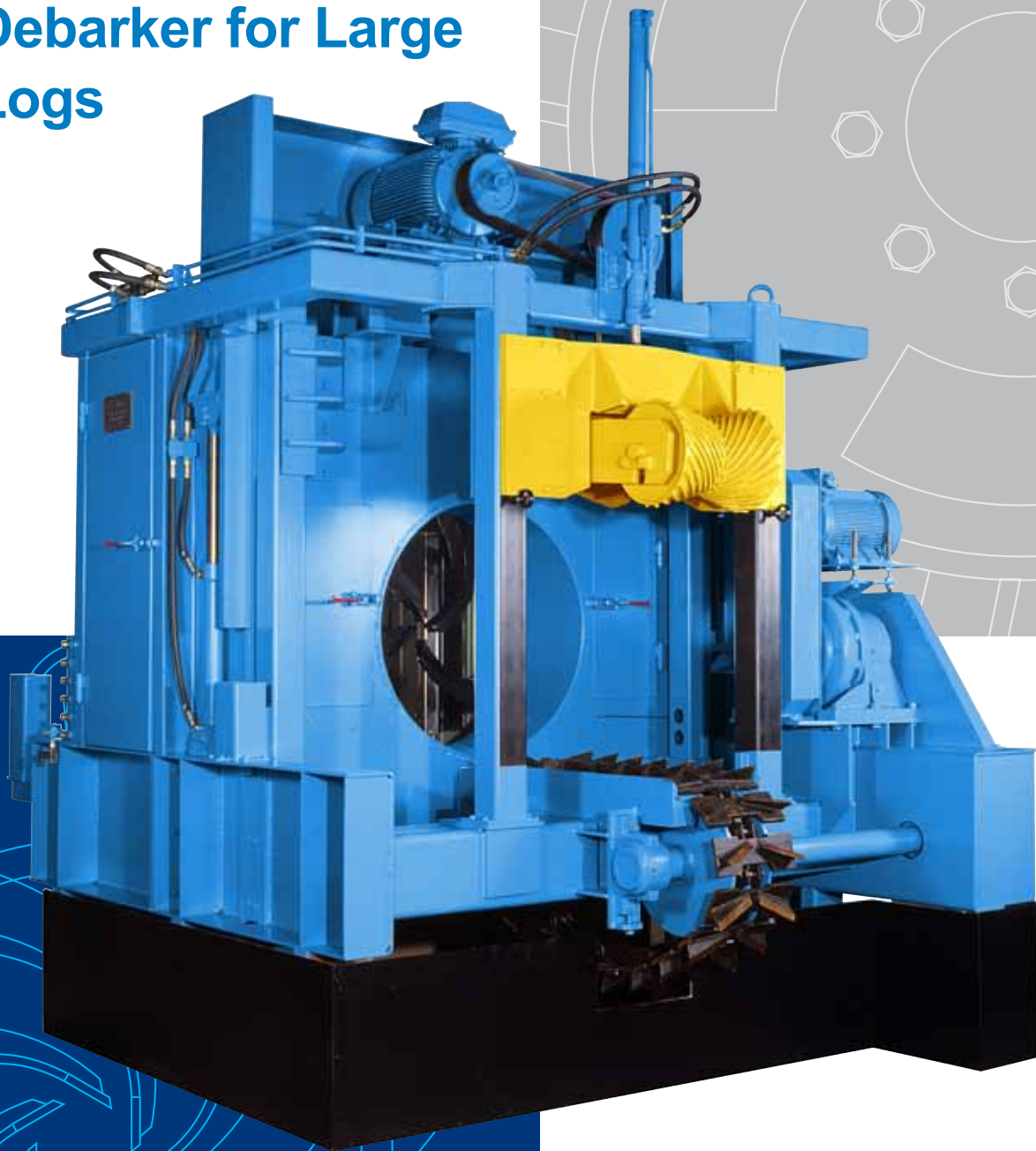


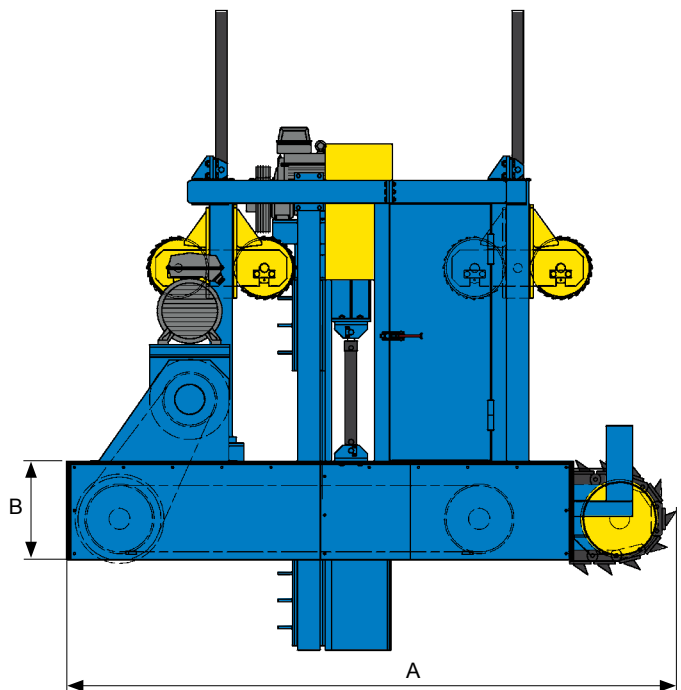
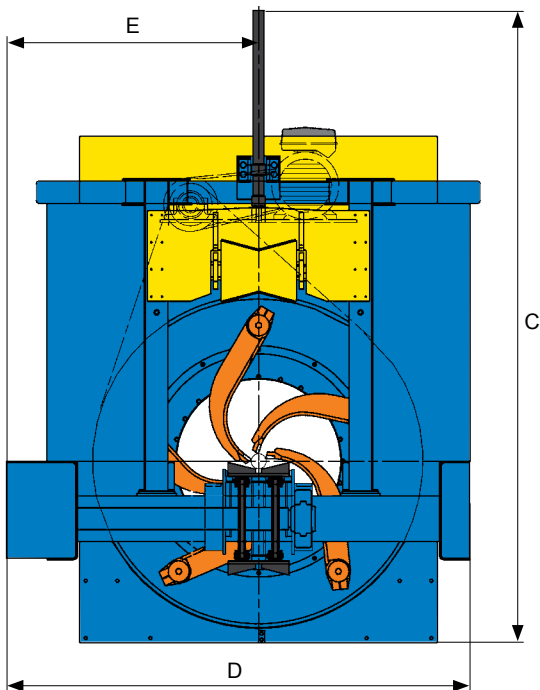
Sliding Rotor Debarker for Large Logs



VK90
VK110



debarker specialist



Debarker for large diameter logs

- The best selling rotor debarker for whole tree operations on the market
- Sliding rotor design – debarking rotor is centred according to the log diameter
- Fully automatic debarker – no operator needed

Debarker with hydraulic tool pressure

- Traditional rotor type. The tool pressure is created by stretching the rubber spring hydraulically (in the machine model VK110 the rubber spring is replaced by pressure accumulator) – the pressure level is controlled by a separate pump unit
- Debarking tools are installed on the front side of the rotor – the tool arm is designed for ease of opening

- Strong debarking tool arms are of a welded construction – replaceable carbide tool tips
- Rotor has simple construction – facilitates easy maintenance

Automatic centring of debarking rotor and press rolls

- Hydraulic centring of both debarking rotor and press rolls – the diameter of the log is measured with photo cells before debarking
- Height positioning with mechanical sensor – simple structure
- Hydraulic guide flaps to centre the logs sideways available



Technical Data

		VK90	VK110
A	mm	3 200	4 040
B	mm	590	650
C	mm	3 555	4 185
D	mm	2 865	3 150
E	mm	1 500	1 650
Debarking diameter	mm	100 - 910	120 - 1 090
Minimum log length	m	1,8	2,4
Weight	kg	10 000	16 200

Due to continuous product development the technical data is subject to change without further notice.

Valon Kone AB
Bollnäs, Sweden

VKS Pte Ltd
Singapore

VK North America Inc.
Spokane, WA, USA

OOO Valon Kone
Saint-Petersburg, Russia



Valon Kone Oy
P.O. Box 29, FI-08101 Lohja, Finland
Phone +358 19 36 061
Fax +358 19 382 729
info@valonkone.com
www.valonkone.com