

7-inch full color glove-friendly touchscreen

Open platform operating system allowing users to utilize a wide array of developer tools

Essential display features at an unprecedented value

Powered by the Next Display Platform



ENOVATION CONTROLS' FIRST OPEN PLATFORM DISPLAY FAMILY BASED ON LINUX, OFFERING OUR LEGENDARY RELIABILITY AND VERSATILITY AT THE RIGHT PRICE

The OpenView S70 is a full color, edge-to-edge touchscreen display powered by the NEXT DISPLAY PLATFORM.

Designed specifically on an open platform, the OpenView family of displays allows developers to design GUI's with their selected toolset.

Easily viewed in full sunlight and containing a high brightness LCD panel inside its IP65-rated case, the OpenView S70 delivers the all-weather performance Enovation Controls is known for at an unprecedented value.

The OpenView S70 comes standard with a glass-front, glove-friendly touchscreen suited to a wide array of applications.

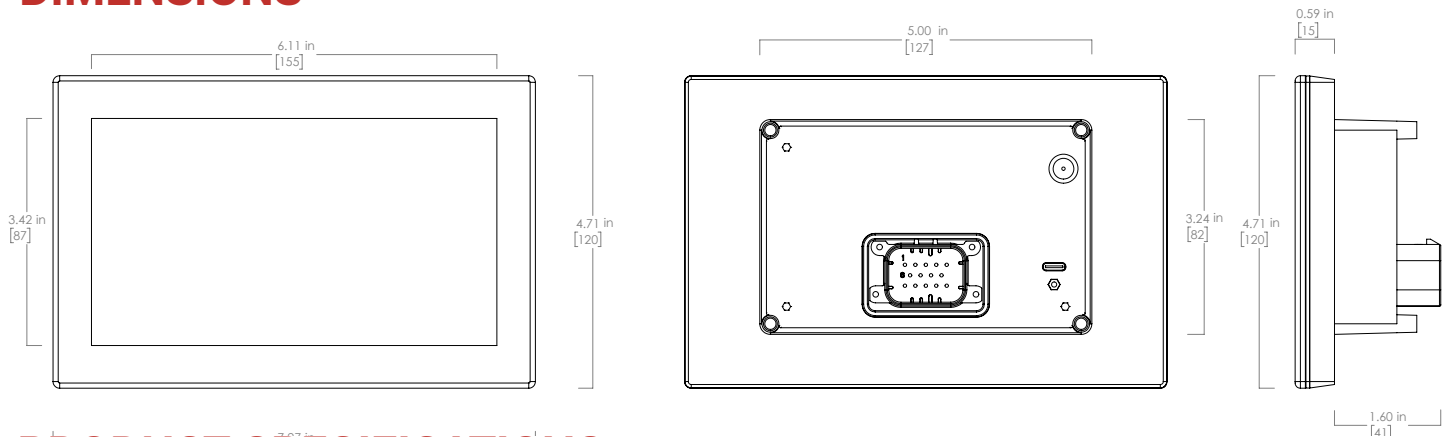
BUILT FOR:
OPENPV®



IP 65

Macquarrie

DIMENSIONS



PRODUCT SPECIFICATIONS

COMPUTING

PROCESSOR	2x 650Mhz Arm Cortex A7 + GPU (OS/Graphics)
COPROCESSOR	1x 200Mhz Arm Cortex M4 (Real time control)
STORAGE	4GB eMMC flash for operating systems and applications
RAM	512MB, 16 Bit
GRAPHICS	Integrated graphics processor

ELECTRICAL/ENVIRONMENTAL

OPERATING VOLTAGE	6 – 36 VDC, reverse polarity protected
OPERATING TEMP	-20C to 70C
STORAGE TEMP	-30C to 70C**
PROTECTION	IP65
VIBRATION	IEC 60068-2-64
SHOCK	IEC 60068-2-27
EMC/EMI	ISO 14982:2009, ISO 13766:2018

INTERFACES

CAN	1 CAN
SERIAL	USB-C, RS-485
WIFI	802.11b/g/n
BLUETOOTH	Bluetooth V4.2 BR/EDR and Bluetooth LE specification
INPUTS	2x Resistive (0-5V), 2x Dig/Ana (0-36v)
OUTPUTS	2x 500 mA Low-side
USB	USB Type-C with Locking Connector

DISPLAY/HMI

SCREEN	7-inch, RGB IPS LCD w/ LED backlight 24bit color
RESOLUTION	1024 x 600
CONTRAST RATIO/ BRIGHTNESS	800:1, 720 cdm*2
TOUCH PANEL	Projected capacitive (PCAP) with glove touch
BUZZER	For alarms and notifications. 80dB, Adjustable Frequency

FOR MANUALS, SUPPORT DOCUMENTS, AND WIRING DIAGRAMS PLEASE VISIT:

www.macquarrie.com.au/collections/powerview-displays