

5-inch full color glove-friendly touchscreen

Open platform operating system allowing users to utilize a wide array of developer tools

Essential display features at an unprecedented value

Powered by the Next Display Platform



ENOVATION CONTROLS' FIRST OPEN PLATFORM DISPLAY FAMILY BASED ON LINUX, OFFERING OUR LEGENDARY RELIABILITY AND VERSATILITY AT THE RIGHT PRICE

The OpenView S50 is a full color, edge-to-edge touchscreen display powered by the NEXT DISPLAY PLATFORM.

Designed specifically on an open platform, the OpenView family of displays allows developers to design GUI's with their selected toolset.

Easily viewed in full sunlight and containing a high brightness LCD panel inside its IP65-rated case, the OpenView S50 delivers the all-weather performance Enovation Controls is known for at an unprecedented value.

The OpenView S50 comes standard with a glass-front, glove-friendly touchscreen suited to a wide array of applications.

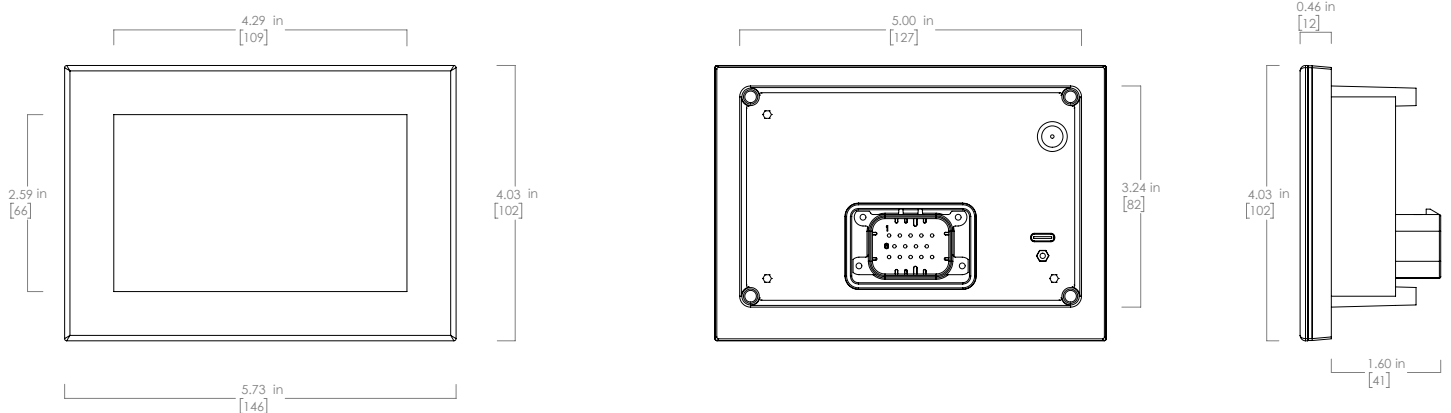
BUILT FOR:
OPENPV®



IP 65

Macquarrie

DIMENSIONS



PRODUCT SPECIFICATIONS

COMPUTING

| | |
|--------------------|---|
| PROCESSOR | 2x 650Mhz Arm Cortex A7 + GPU (OS/Graphics) |
| COPROCESSOR | 1x 200Mhz Arm Cortex M4 (Real time control) |
| STORAGE | 4GB eMMC flash for operating systems and applications |
| RAM | 512MB, 16 Bit |
| GRAPHICS | Integrated graphics processor |

ELECTRICAL/ENVIRONMENTAL

| | |
|--------------------------|--|
| OPERATING VOLTAGE | 6 – 36 VDC, reverse polarity protected |
| OPERATING TEMP | -20C to 70C |
| STORAGE TEMP | -30C to 70C** |
| PROTECTION | IP65 |
| VIBRATION | IEC 60068-2-64 |
| SHOCK | IEC 60068-2-27 |
| EMC/EMI | ISO 14982:2009, ISO 13766:2018 |

INTERFACES

| | |
|------------------|--|
| CAN | 1 CAN |
| SERIAL | USB-C, RS-485 |
| WIFI | 802.11 b/g/n |
| BLUETOOTH | Bluetooth V4.2 + EDR BR/EDR and Bluetooth LE specification |
| INPUTS | 2x Resistive (0-5V), 2x Dig/Ana (0-36v) |
| OUTPUTS | 2x 500 mA Low-side |
| USB | USB Type-C with Locking Connector |

DISPLAY/HMI

| | |
|----------------------------------|--|
| SCREEN | 5-inch, RGB IPS LCD w/ LED backlight 24bit color |
| RESOLUTION | 800 x 400 |
| CONTRAST RATIO/BRIGHTNESS | 800:1, 720 cdm ² |
| TOUCH PANEL | Projected capacitve (PCAP) with glove touch |
| BUZZER | For alarms and notifications. 80dB, Adjustable Frequency |

FOR MANUALS, SUPPORT DOCUMENTS, AND WIRING DIAGRAMS PLEASE VISIT:

www.macquarrie.com.au/collections/powerview-displays