

KEYBOX



CANopen

J1939



Compact and versatile, Keybox is a smart relay module for electric loads that permits the utilisation of our extensive range of keypads where there are no PLC systems on board. Thanks to its CAN bus interface and high power outputs, Keybox can also be used in “slave” mode with complex systems.

4 MODELS AVAILABLE:

- KB312V-05A: 12V 5A
- KB312V-10A: 12V 10A
- KB324V-05A: 24V 5A
- KB312V-05-10A: 12V 8 x 5A, 3 x 10A

ELECTRICAL FEATURES:

- 11 switched circuits that include:
 - Momentary, toggle, time-out functions and digital input
 - Circuits rated up to 10A at 12V and 5A at 24V maximum continuous load [resistive]
 - 2 optional low-side circuits
- 2 solid-state switched circuits that include:
 - Momentary, toggle, time-out functions & digital input
 - Pulse-width modulation of output voltage for dimming capability
 - Circuits rated up to 3A maximum continuous load [resistive]
- Parallel outputs [increases the current rating]
- Isolated relay outputs
- Replaceable automotive mini blade fuses for overcurrent protection
- Input undervoltage lock down and over voltage protection

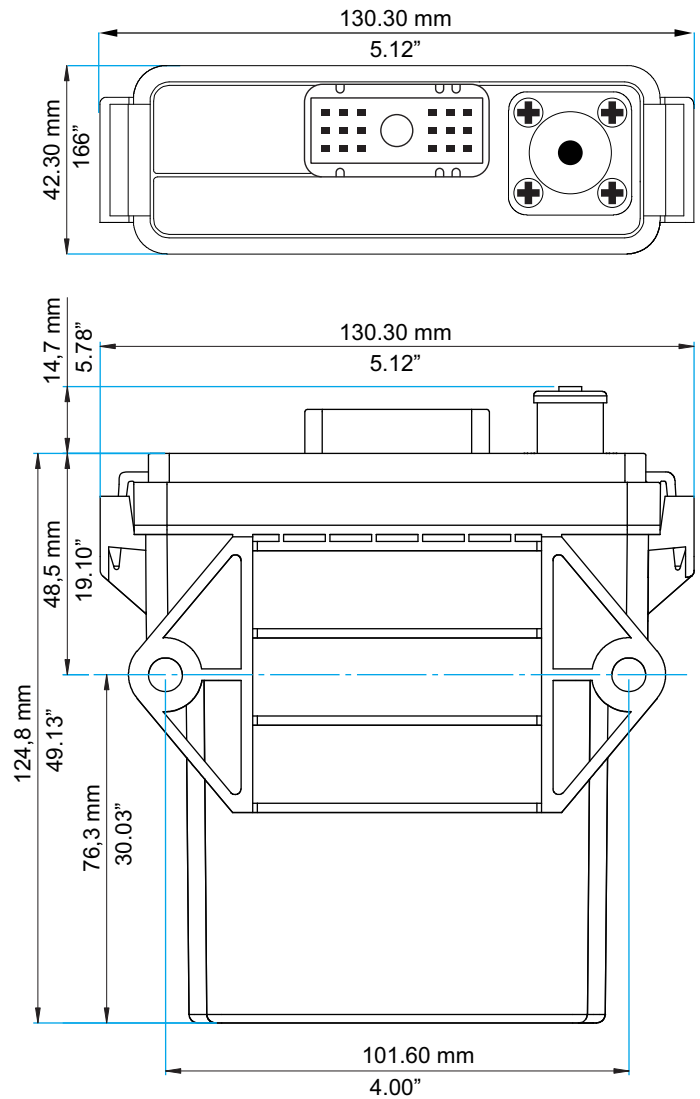
ENVIRONMENTAL FEATURES

- Operating ambient temperature: -20°C to +70°C
- Storage ambient temperature: -40°C to +85°C
- Humidity: 0 to 98% [non-condensing]
- IP67 enclosure

SPECIAL FEATURES

- CAN bus compatible [CANopen/J1939 compliance available]
- Field programmability of electrical functions and current limit trip points available to authorised OEMs and Value-Added Resellers (VARs)

SPECIFICATIONS FOR KEYBOX POWER MANAGEMENT ENCLOSURE



ELECTRICAL		KEYBOX
Supply voltage	12V Nominal 9-16V or 24V Nominal 18-31V	
Standby current	<30mA per PME	
Load current	Max 5 A per output (resistive) @ 24V Max 10 A per output (resistive) @ 12V	
Communication bus	CAN Bus, RS485 BUS	
Circuit protection	Automotive mini blade fuse	
MECHANICAL		
Connector	Cinch 581-01-18-038 & Amphenol SLPRA16CPSO	
Mating connector	Cinch 581-01-18-023 with 425-00-00-873 & Amphenol SLPPA16BSO	
Housing / cover	33% Glass Filled Polymer	
PC board	1,6mm thick, Nema Grade FR-4, Double clad with 2oz copper	
ENVIRONMENTAL		
Operating temperature	-20°C to +70°C	
Storage temperature	-40°C to +85°C	
Humidity	0 to 98% (no condensation)	
Salt spray	96Hrs	
Ingress Protection Rating	IP67	
FEATURES		
Circuits	13	
Size mm	135,4 x 130,3 x 42,3	
Low volt sense & lock down	Optional	
Sense pins levels	13	
Dimming/PWM Features	Available on 2 outputs	
Circuit status monitoring	Optional	
Field re-programmable	Optional	
External status communication on the bus	Optional	
Pull down	2 Optionals	

Macquarrie

Macquarrie Corporation
 Unit 1/600 Lorimer St
 Port Melbourne VICTORIA 3207
 Tel +613 9358 5555 | Fax +613 9358 5556
sales@macquarrie.com.au - www.macquarrie.com.au

!WARNING! IMPROPER SELECTION, IMPROPER USE AND/OR FAILURE OF THE BLINK SYSTEMS PRODUCTS DESCRIBED HEREIN OR RELATED ITEMS CAN CAUSE DEATH, PERSONAL INJURY AND PROPERTY DAMAGE. This document and other information from Blink, provide product and/or system options for further investigation by users having technical expertise. It is important to analyze all aspects of the application, including consequences of any failure. Due to the variety of operating conditions and applications for these product(s), the manufacturer of the application is solely responsible for marking the final selection of the product(s) and assuring that all performance, safety and warning requirements of the application are met. The products described herein, including without limitation, product features, specifications, designs, availability and pricing, are subject to change by Blink at any time without notice.

