

J1939 Throttle Controller

CT-327 CAN Throttle Knob

FEATURES :

- Provides the Look and Feel of a Traditional Throttle Knob
- J1939 CANbus
- IP67 Rated Enclosure
- Deutsch DT Series Connectors
- Two Configurable Digital Inputs (N/O or N/C)
- 5.5VDC to 36VDC Operating Voltage
- Reverse Polarity Protection, Transient Voltage Protection, and Load Dump Protection
- Settings are User Configurable



PLUG & PLAY J1939 CONTROL

An Affordable Solution with Four Programmable Settings



The CT-327 CAN Throttle Knob for J1939 engines provides the look and feel of a traditional throttle knob. A rugged, IP67-rated controller with a water tight, plug and play connector. Easy-to-use settings are configurable through the CT Series unit, and include:

- ENGINE MANUFACTURER
- TSC ADDRESS
- MINIMUM SPEED
- MAXIMUM SPEED
- RAMP RATE
- BUMP SPEED
- RPM PER ROTATION

Clockwise rotation to increase speed and counter clockwise rotation to decrease speed. Each "click" of the knob changes speed by the selected BUMP SPEED. Built-in PRESS-TO-IDLE allows operator to push down on knob for immediate reduction of speed to selected MINIMUM SPEED.

Two configurable digital inputs are available to integrate throttle operation with equipment requirements. A partial list of standard digital input settings include:

- RAMP to MINIMUM SPEED
- RAMP to MAXIMUM SPEED
- RAMP UP
- RAMP DOWN
- KNOB OFF
- KNOB ON

Configuration of digital input settings require additional programming or a factory pre-set.



J1939 Throttle Controller

CT-327 CAN THROTTLE KNOB



CONFIGURATION INSTRUCTIONS

LED's are provided to verify J1939 communications and for configuration settings code flash assistance.

Configuration setting instructions are provided on the bottom side of the unit.

	TSC Address	Min. Speed	Max. Speed	Bump Speed
Example:	003	0800	2400	040
L2 Flash Code:	1	2	3	4

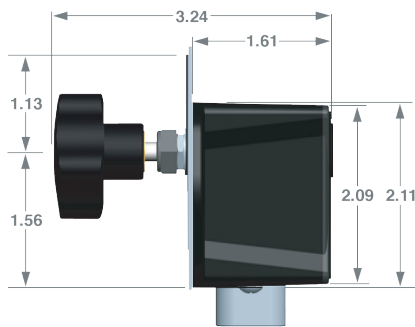
L1 (LED) Steady: On, J1939

L1 (LED) Flash: On, No J1939

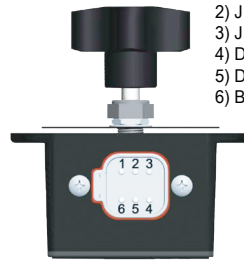


DIMENSIONS

All measurements are in inches (").



PIN OUT



- 1) SW Battery Positive, B+
- 2) J1939, CanBus High
- 3) J1939, CanBus Low
- 4) Digital Input 1
- 5) Digital Input 2
- 6) Battery Negative, B-

MATING COMPONENTS:

Connector: DT06-6S
Terminal: 0462-201-16141

Lock: W6S
Sealing Plug: 114017

This unit has 4 programmable settings. Press the program mode button to begin. L2 will flash to indicate the current programming selection. The initial value of each digit is zero. Rotate the knob clockwise to increment the value. Press knob in to save and index to the next digit. For example, to set TSC address to 3, press the knob in twice for 0 and then rotate three clicks to the right for 3 and press the knob to save. The unit automatically indexes to the next selection and the L2 will flash the appropriate number of times. After 10 seconds of no input, the unit will exit programming mode.

PRODUCT SPECIFICATIONS

SPECIFICATIONS AND DESIGNS ARE SUBJECT TO CHANGE WITHOUT NOTICE.

ELECTRICAL	
OPERATING VOLTAGE	5.5VDC to 36VDC
MAXIMUM CURRENT AT 12.6VDC	150mA
REVERSE POLARITY PROTECTION	Yes
TRANSIENT VOLTAGE PROTECTION	Yes
LOAD DUMP PROTECTION	Yes
INPUTS	
DIGITAL INPUTS	(2) Configurable N/O or N/C
COMMUNICATIONS	
COMMUNICATIONS	J1939 CANbus

PHYSICAL	
ENCLOSURE	IP67
CONNECTORS	Deutsch DT Series
APPROX. SHIPPING WEIGHT	0.5 lbs.
TEMPERATURE	
OPERATING/STORAGE RANGE	-40°F to +176°F (-40°C to +80°C)
CONFIGURATION	
CONFIGURATION	Local Settings via Selection Button

PRODUCT ORDER NUMBER

098040098 J1939 CAN Throttle Control Knob

Macquarrie Corporation Pty Ltd
Unit 1/600 Lorimer St
Port Melbourne VICTORIA 3207 AUSTRALIA
t: +613 9358 5555 | f: +613 9358 5556
sales@macquarrie.com.au | www.macquarrie.com.au

Macquarrie

Integrators of control, monitoring & protection solutions