

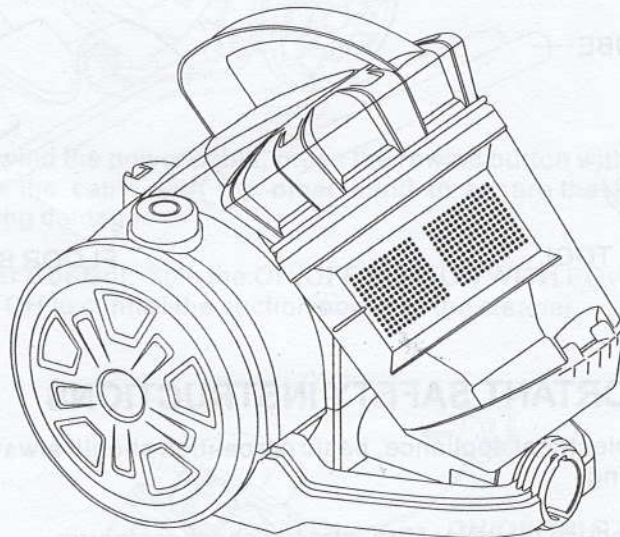
Toyomi®

MULTI-CYCLONIC VACUUM CLEANER

MODEL: VC 8281
220-240V~50/60Hz

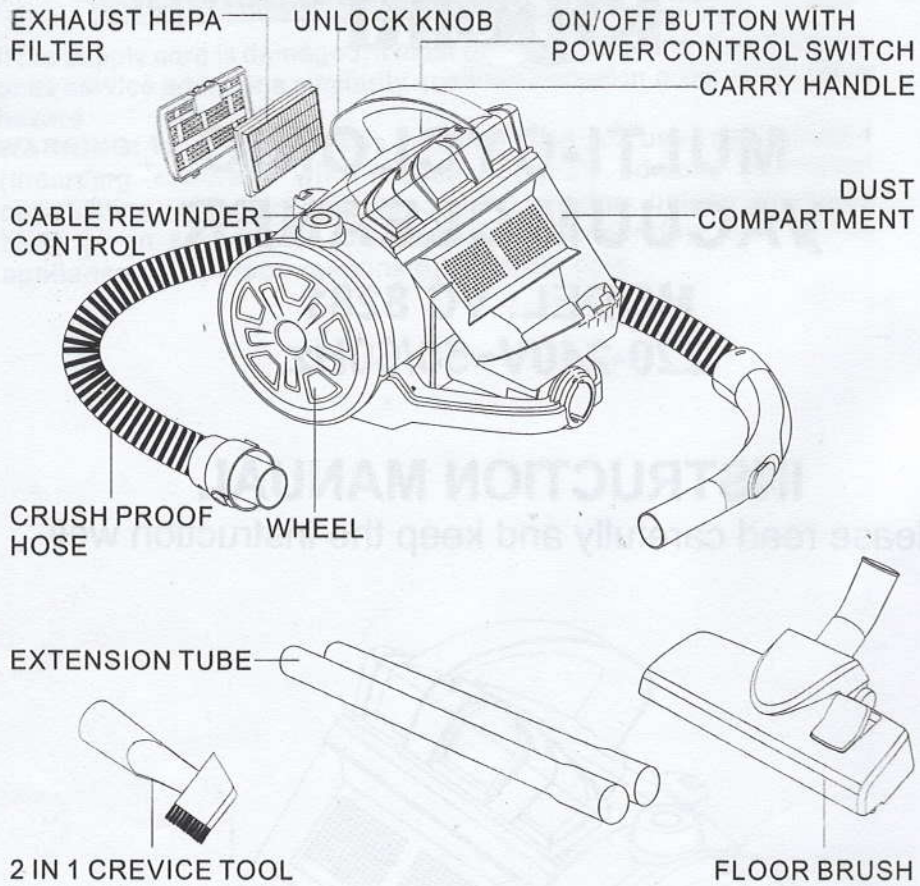
INSTRUCTION MANUAL

Please read carefully and keep the instruction well



For household use only.

MAIN PARTS



IMPORTANT SAFETY INSTRUCTIONS

When using an electrical appliance, basic precaution should always be followed, including.

WARNING: To reduce the risk of fire, electric shock, or injury:

1. Do not leave vacuum cleaner when plugged in. Unplug from outlet when no use and before servicing.
2. To reduce the risk of electric shock, do not use outdoors or on wet surfaces.
3. Do not allow to be used as a toy. Close attention is necessary when used by near children.

4. Use only as described in this manual. Use only manufacturers recommend attachments.
5. Do not use with damaged cord or plug. If vacuum cleaner is not working as it should, has been dropped, damaged, left outdoors, or dropped into water, enter it to a service center.
6. Do not pull or carry on cord, use cord as a handle, close door on cord, or pull cord around sharp edges or corners. Do not run vacuum cleaner over cord. Keep cord away from heated surfaces.
7. Do not unplug by pulling on cord. To unplug, grasp the plug, not the cord.
8. Do not handle plug or vacuum cleaner with wet hands.
9. Do not put any object into openings. Do not use with any opening blocked. Keep free of dust, lint, hair and anything that may reduce airflow.
10. Keep hair, loose clothing, fingers and all parts of body away from openings and moving parts.
11. Turn all controls off before unplugging.
12. Use extra care when cleaning on stairs.
13. Do not use to pick up flammable or combustible liquids, such as gasoline, or use in areas where they may be present.
14. Hold plug when rewinding onto cord reel. Do not allow plug to whip when rewinding.
15. Unplug before connecting the hose.
16. Do not pick up anything that is burning or smoking, such as cigarettes, matches, or hot ashes.
17. Do not use without filter in place.
18. Children should be supervised to ensure that they do not play with the appliance.

PRECAUTIONARY MEASURES

Connecting vacuum cleaner

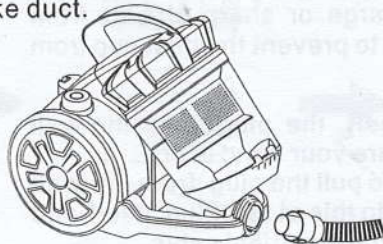
1. Fitting or removing the flexible hose

Fitting:

Insert flexible hose into the air intake duct on the top of appliance. Press until it clicks into position.

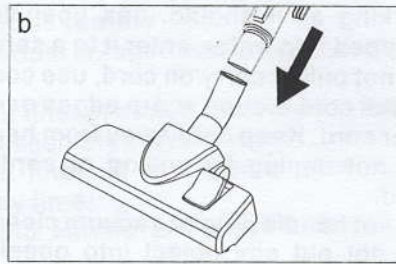
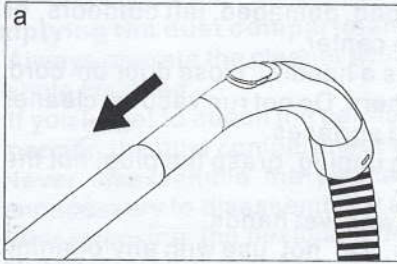
Removing:

Removing the plug from the power socket. To release the flexible hose firmly from the air intake duct.



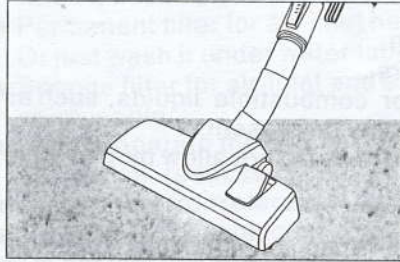
2 Fitting the extension tubes and accessories

- a. Fitting the extension tube to the handle.
- b. Fitting the brush to the extension tube.

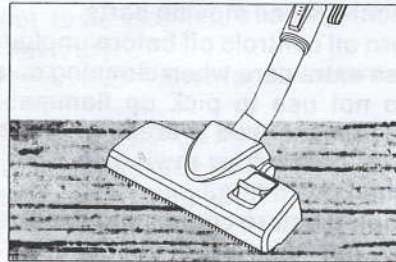


c. Fitting Floor brush.

Ideal for the daily cleaning on carpets and hard floors.



Clean on the carpet.



Clean on the hard floor.

PRECAUTIONARY MEASURES

If the opening that sucks in the air, the suction pipe or the telescopic wand stick on pipe are blocked, you should switch off the vacuum cleaner at once. First clear the blocked substance before you attempt to start the vacuum cleaner again.

1. Do not operate the vacuum cleaner too close to heaters like radiators, cigarette butts etc..
2. Before you start using the vacuum cleaner, please remove large or sharp objects from the floor in order to prevent the dust cup from being damaged.
3. Before you insert the plug into the wall contact, make sure your hand is dry.
4. When you want to pull the plug from the wall contact, please do this at the plug itself and not by means of the electrical cable.

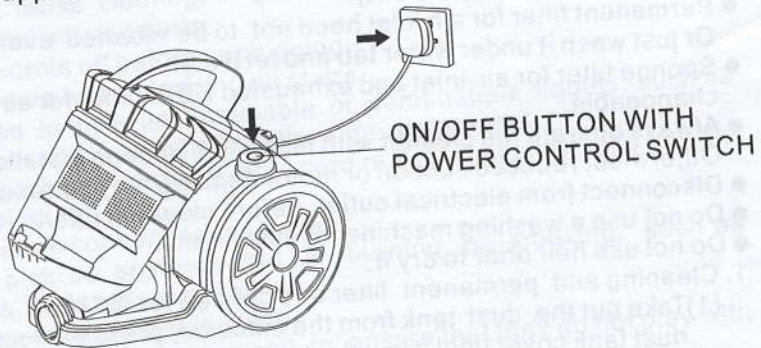


This vacuum cleaner is equipped with a plug and a cable, which rolls up automatically.
If anything gets damaged, both the plug and the cable must be repaired by a qualified repairman or electrician.

INSTRUCTIONS FOR USE

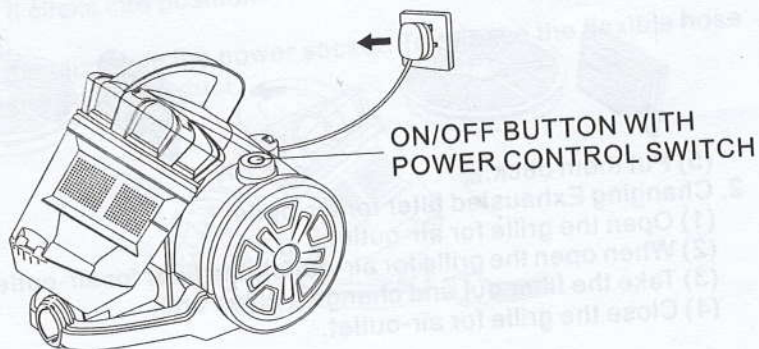
Before using appliance, unwind a sufficient length of cable and insert the plug into the power socket. A yellow mark on the power cable shows the ideal cable length. Don't extend the cable beyond the red mark.

1. Press the ON/OFF BUTTON WITH POWER CONTROL SWITCH to switch the appliance on.



2. To rewind the power cable, press the rewind button with one hand and guide the cable with the other hand to ensure that it does not whip causing damage.

3. **Power Control:** Spin the ON/OFF BUTTON WITH POWER CONTROL SWITCH to control the suction power of the cleaner.



MAINTENANCE

1. Emptying the dust compartment subassembly

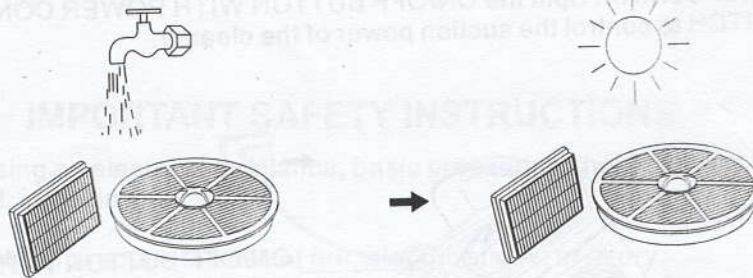
- Always operate the cleaner with the dust compartment subassembly whole installed.
 - If you forget to attach the permanent filter or attach them in the wrong manner, the dust compartment subassembly may not rinse.
 - Never disassemble the permanent filter, it is a whole part and unnecessary to disassemble it at any time.
- After removing the flexible tube, hold handle and press the locking button.

2. Cleaning and changing sponge filter

- Sponge filter for air-inlet should be cleaned at least twice a year or when it becomes visible dirty.
- Permanent filter for air-inlet need not to be cleaned even it is dirty. Or just wash it under water tap and let it dry.
- Sponge filter for air-inlet and exhausted HEPA filter for air-outlet are changeable.
- Always operate the cleaner with filters and sponge installed. Otherwise, reduced suction or motor damage may be result in.
- Disconnect from electrical outlet, before cleaning filter.
- Do not use a washing machine to rinse filter.
- Do not use hair drier to dry it.

1. Cleaning and permanent filter and sponge for air-inlet.

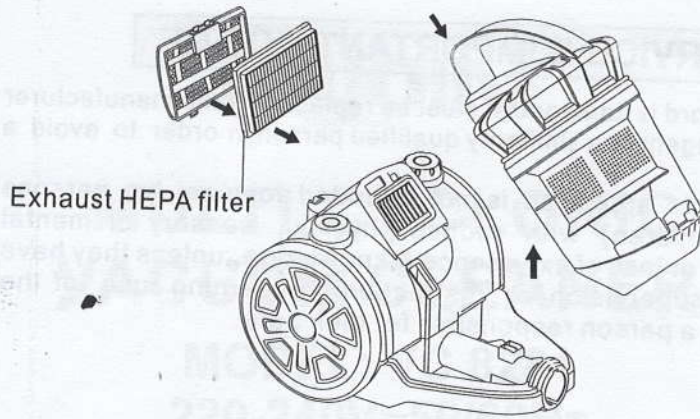
- (1) Take out the dust tank from the machine, press the lock block of dust tank cover until it is unlocked.
- (2) Remove the Permanent filter, rinse it under a water tap, dry it naturally. Usually you need not clean it even if it is very dirty.
- (3) Remove sponge from the bracket.
- (4) Rinse bracket, sponge in lukewarm water & dry them completely.



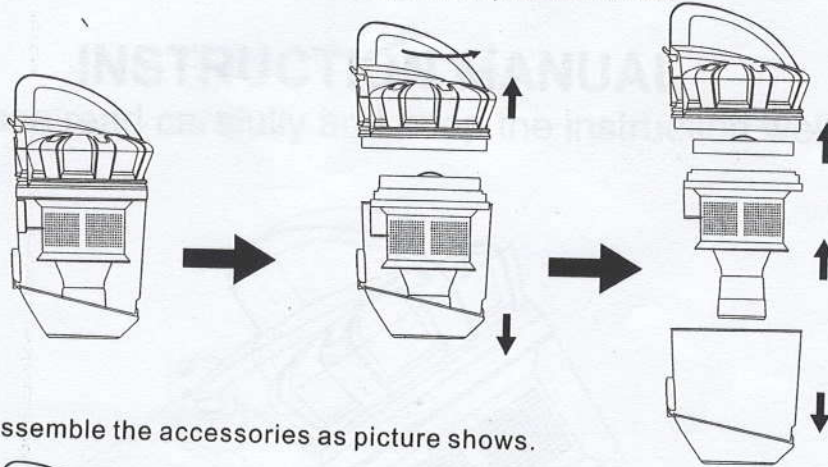
(5) Put them back.

2. Changing Exhausted filter for air-outlet

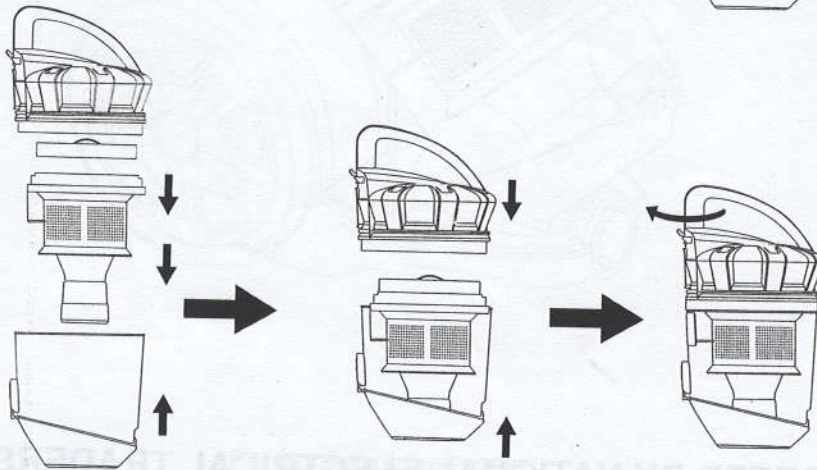
- (1) Open the grille for air-outlet.
- (2) When open the grille for air-outlet, the filter for air-outlet is found.
- (3) Take the filter out and change a clean one.
- (4) Close the grille for air-outlet.



3. Take out the DUST COMPARTMENT as picture shows.



4. Assemble the accessories as picture shows.



SERVICE & IMPORTANT NOTICE

- If the supply cord is damaged, it must be replaced by the manufacturer or its service agent or a similarity qualified person in order to avoid a hazard.
- **WARNING:** This appliance is not intended for use by persons (including children) with reduce physical, sensory or mental capabilities, or lack of experience & knowledge, unless they have been given supervision or instruction concerning use of the appliance by a person responsible for their safe.

IMPORTED BY NATIONAL ELECTRICAL TRADERS