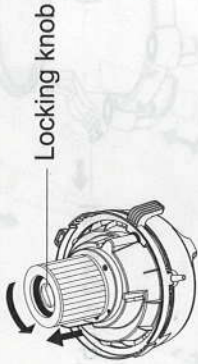


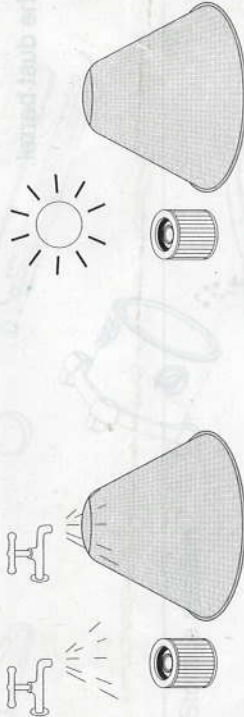
MAINTENANCE

WARNING: When the filter is obviously covered with dust or the suction decreases considerably, please clean it in time, for this can improve the working efficiency and extend the life time of the cleaner.
Never use the machine without filter.

1 Twist the locking knob with an anti-clockwise force, take off the filter.



2 Clean filters carefully.



3 Dry by airing.

Toyomi®

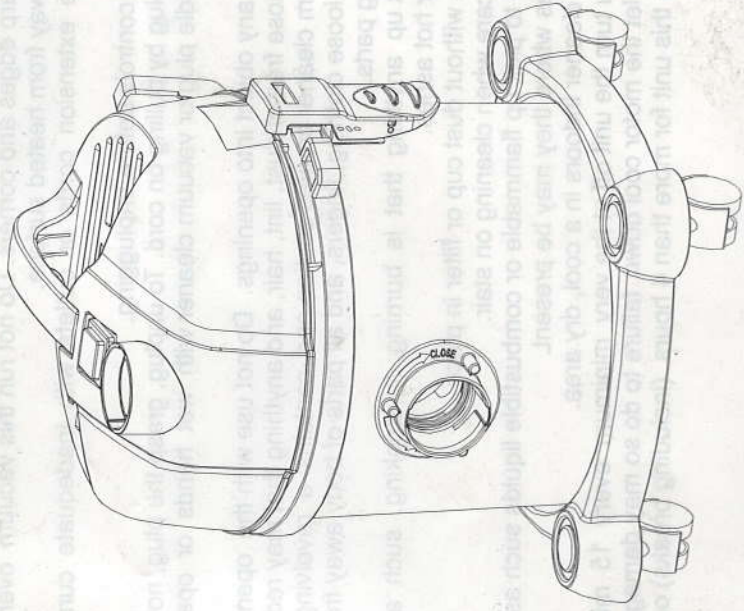
BAGLESS WET/DRY VACUUM CLEANER WITH BLOW

MODEL: VC 8215WD

220-240V~50Hz

INSTRUCTION MANUAL

PLEASE READ CAREFULLY AND KEEP THE INSTRUCTION WELL



This appliance is for household use only.

SERVICE & IMPORTANT NOTICE

- If the supply cord is damaged, it must be replaced by the manufacturer or its service agent or a similarly qualified person in order to avoid a hazard.
- **WARNING:** This appliance is not intended for use by persons (including children) with reduced physical, sensory or mental capabilities, or lack of experience and knowledge, unless they have been given supervision or instruction concerning use of the appliance by a person responsible for their safety.

IMPORTED BY NATIONAL ELECTRICAL TRADERS

SAFETY DIRECTIONS

When using an electrical appliance, basic precaution should always be followed including the following:

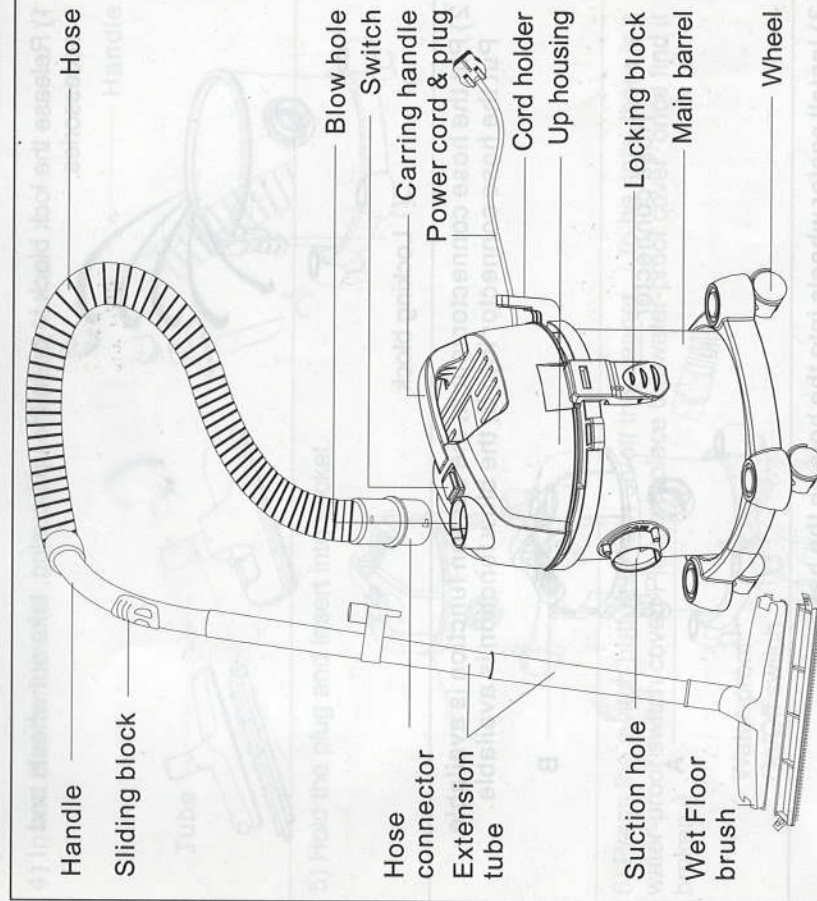
READ ALL INSTRUCTION BEFORE USING THIS VACUUM CLEANER

WARNING

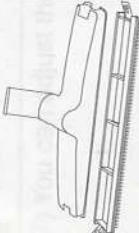
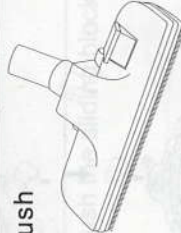




To reduce the risk of fire, electric shock, or injury:

- Do not use outdoors.
- Do not leave vacuum cleaner when plugged in. Turn off the switch and unplug the electrical cord when not in use and before servicing.
- Do not allow to be used as a toy. Close attention is necessary when used by or near children.
- Use only as this manual described. Use only manufacturer's recommended attachments.
- Do not use with damaged power cord or plug.
- Do not pull or carry by cord, use a cord as a handle, twisting or pull cord around sharp edges and corners. Do not run this vacuum over cord. Keep the cord away from heated surface.
- Do not use extension cords or outlets with inadequate current carrying capacity.
- Turn off all controls before unplugging.
- Do not unplug by pulling on cord. To unplug, grasp the plug, not the cord.
- Do not handle plug or vacuum cleaner with wet hands or operate without shoes.
- Do not put any object into openings. Do not use with the opening blocked. Keep the hose free of dust, lint, hair, and anything that may reduce airflow.
- This vacuum cleaner creates suction and contains a revolving brush roll. Keep hair, loose clothing, fingers, and all parts of body away from openings and moving parts.
- Do not pick up anything that is burning or smoking, such as cigarettes, matches or hot ashes.
- Do not use without dust cup or filter in place.
- Use extra care when cleaning on stair.
- Do not use to pick up flammable or combustible liquids such as gasoline, or use in areas where they may be present.
- Store your cleaner indoors in a cool, dry area.
- Ensure you turn the unit off at the very minimum every 15 minutes (for 1 minute) to let the motor cool down failure to do so may damage motor.
- Do not use this unit for more than 4 hours (including breaks) on any given day.

PARTS NAME

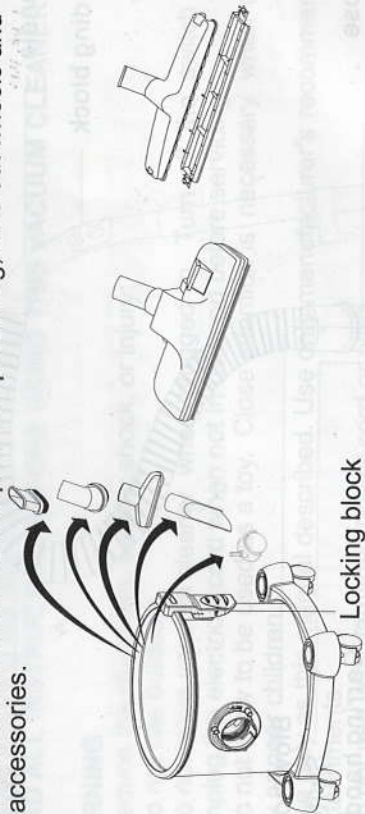


STANDARD ACCESSORIES

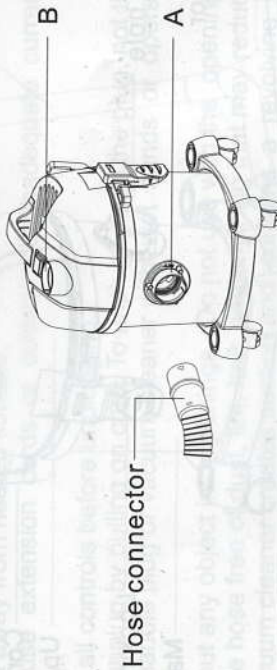
Wet Floor brush	Dry floor brush	Upholstery brush
		
Crevice nozzle for corners, cracks, etc.	Integrated brush	Bristle brush for sofa bookshelf, curtain & furniture, etc.
		

OPERATION METHOD

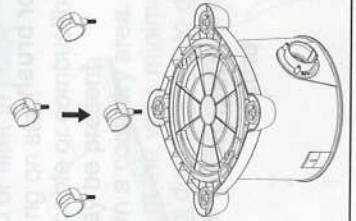
- 1) Release the lock block to open the up housing, take out wheels and accessories.



- 2) Put the hose connector into A, the suction function is available.
Put the hose connector into B, the blow function is available.



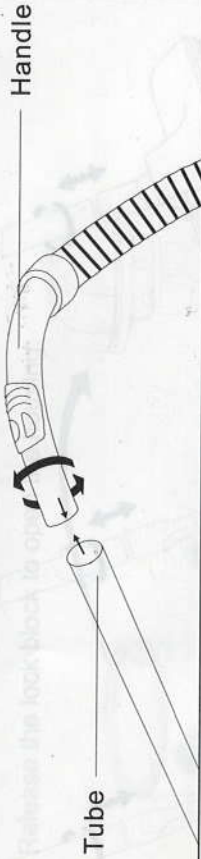
- 3) Install castor wheels into the hole on the base.



3

OPERATION METHOD

- 4) Insert the handle into tube with a twisting force.



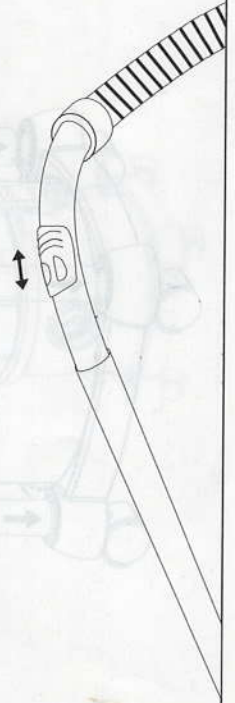
- 5) Hold the plug and insert into socket.



- 6) Press the switch button to turn on/off the cleaner. (To be safe, there is a water-proof switch cover. Please replace the water-proof cover once find it broken.)



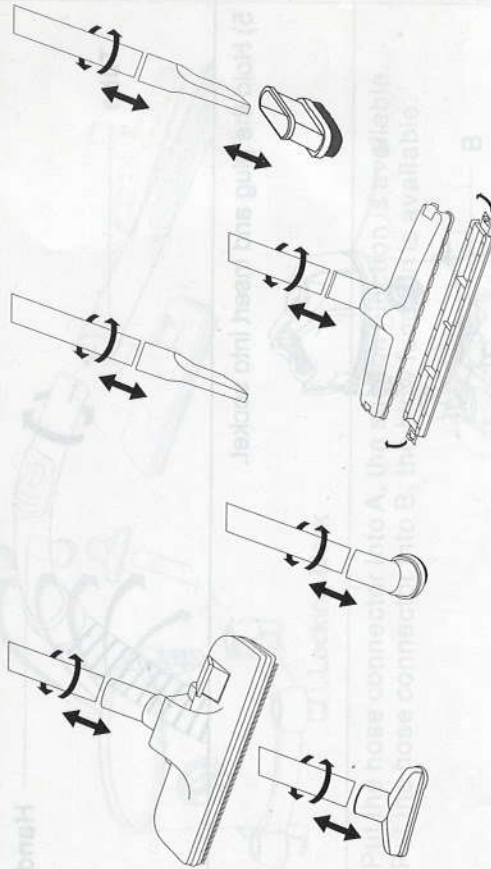
- 7) You can adjust the airflow by push the sliding block up and down.



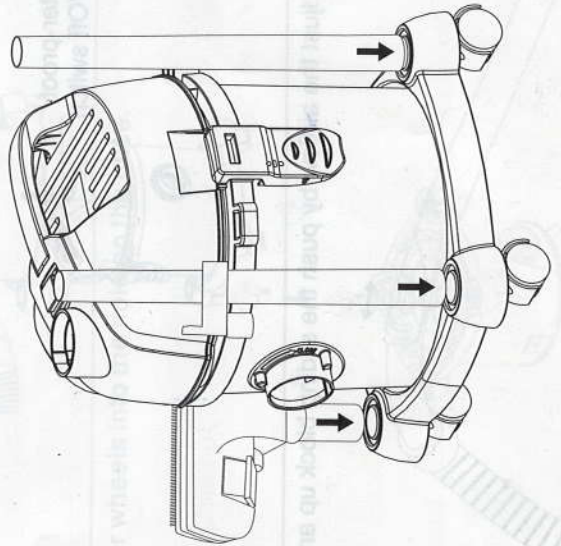
4

OPERATION METHOD

8) Insert the accessories as above.



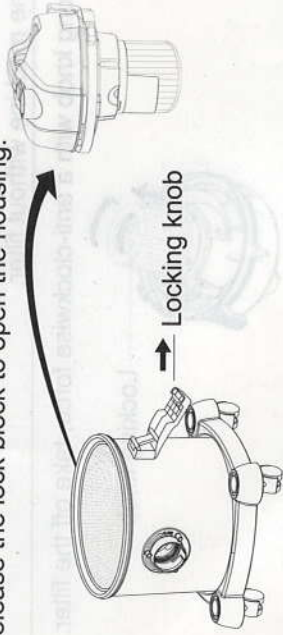
9) Storage position.



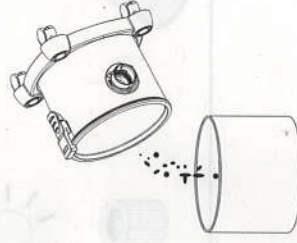
MAINTENANCE

If the dust barrel is full, please empty it as soon as possible.

1 Release the lock block to open the housing.



2 Empty the dust barrel.



3 Put back the upper housing, fasten the locking panel.

