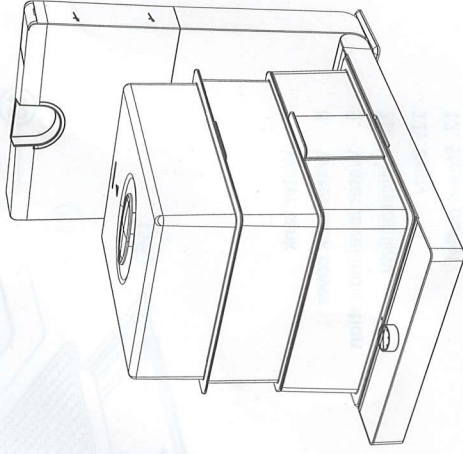


Toyomi®

TURBO STACK ELECTRIC MICRO-COM STEAMER INSTRUCTION MANUAL

Please read carefully and keep the instruction well

MODEL: ST 101
INSTANT STEAMER
220-240V~50/60HZ,
POWER: 1500W



IMPORTED BY NATIONAL ELECTRICAL TRADERS

SERVICE & IMPORTANCE NOTICE

1. This steamer is designed for household use only. It is not intended for commercial use. Please do not use it for any other purpose. If you have any questions or concerns, please contact our customer service center.

2. Please read the instruction manual carefully before using the steamer. It is important to follow the safety instructions to avoid any accidents or injuries.

3. The steamer should be used in a well-ventilated area. Do not use it in a confined space or near flammable materials.

4. The steamer should be used with caution. Do not touch the hot steam or the hot surfaces of the steamer.

5. The steamer should be used with care. Do not use it if you are pregnant or have any medical conditions.

6. The steamer should be used with attention. Do not use it if you are under the influence of alcohol or drugs.

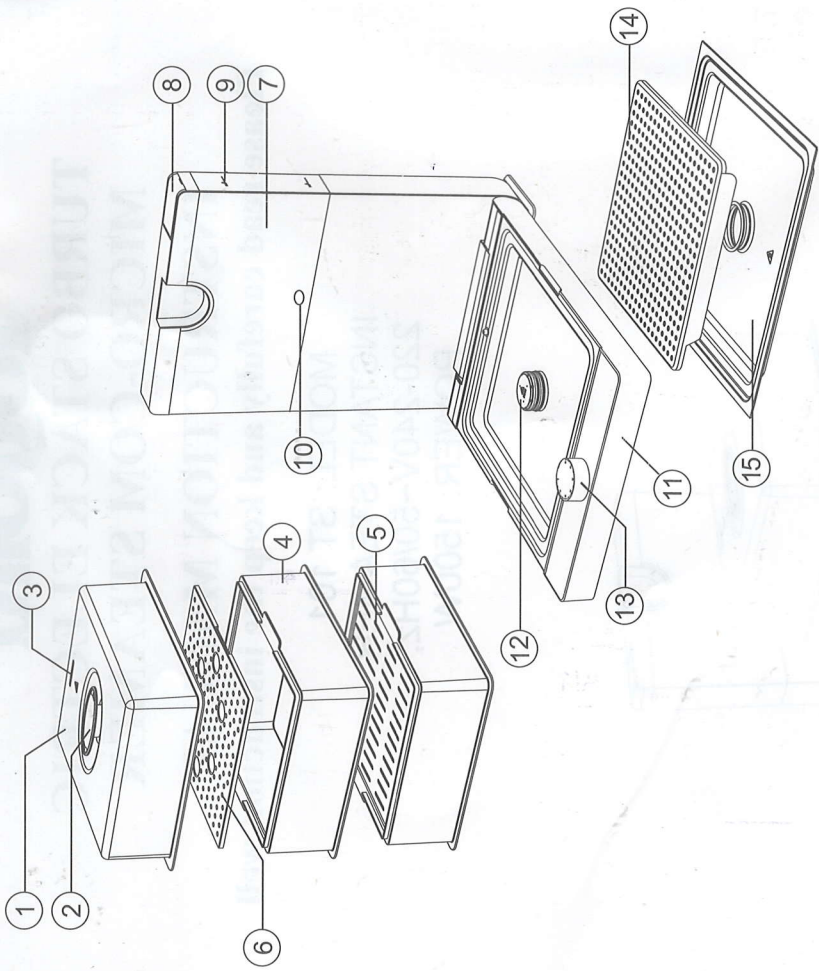
7. The steamer should be used with respect. Do not use it if you are feeling unwell or if you are taking any medication.

8. The steamer should be used with consideration. Do not use it if you are in a crowded or public place.

9. The steamer should be used with discretion. Do not use it if you are unsure of its safety or if you are not familiar with its operation.

10. The steamer should be used with responsibility. Do not use it if you are not responsible for its use.

Product Structure



1. Steamer lid
2. Lid handle
3. Steam vent
4. Steamer basket
5. Steamer basket board
6. Egg holder

7. Water tank
8. Water tank cover
9. Water level indication
10. Indicator light
11. Body
12. Steam outlet
13. Timer knob
14. Steaming tray
15. Removable drip tray

Safety Precautions

- For safety reasons, read the instructions carefully before using the appliance. Keep the user manual for future reference.
- The appliance is intended for domestic use only. Operate the appliance according to the instructions in this user manual.
- When moving the unit, hold the steamer base with both hands. Do not hold it by the stainless steel drip tray, transparent water tank, steaming plate or power cord alone.

Warning

1. Before activating the appliance, make sure the operating voltage of the appliance matches the voltage of the main outlet.
2. This appliance can only be plugged into a grounded outlet. Make sure it is securely plugged into the socket.
3. Extension cord should meet the electrical requirements of the appliance, otherwise overheating of the extension cord or the plug may occur.
4. Unplug the appliance before cleaning the unit or when it is not in use.
5. Cord should not be hung on sharp edges, and should be kept away from hot substances and naked flames.
6. Do not immerse the appliance and the plug into water or any other liquid, otherwise it will cause electric shock.
7. Turn off the power before unplugging the appliance. Do not pull from the cable to unplug the unit.
8. Never touch the appliance if it drops into water. Unplug it immediately, turn it off and send it to the Repairs and Customer Service Centre.
9. Do not plug or unplug the unit with a wet hand.
10. Never attempt any unauthorized repair, or else electric shock may result.
11. The appliance is not intended for people (including children) with reduced physical or mental capabilities, or any individual lacking in experience and expertise, unless they are under the supervision of qualified personnel.
12. Do not run the appliance unattended.
13. The appliance is not intended for commercial purpose, it is for

domestic use only.

14. Do not use the appliance for anything other than what it is designed for.
15. To avoid any danger, if power cord is damaged, it must be replaced by the manufacturer, by an authorized repair center or by other qualified technicians.
16. Before using the steamer, thoroughly clean the parts which will be in direct contact with food.
17. Do not operate the appliance on a wobbling or tilted work surface.
18. Before activating the appliance, make sure the water tank has enough water. To avoid overflow, water should not exceed the maximum level indicator.
19. Watch out for the hot steam coming from the steam outlet or the surging steam while uncovering the lid. To avoid scald, do not put your hand and face near the steam outlet or air vent.
20. The lid and the drip tray will be hot. To avoid scald, do not touch or place your bare hand near these two parts.
21. To avoid scald, watch out for the surging steam while uncovering the lid. Use a thermally insulated utensil with a long handle to check the doneness of food.
22. Never move the steamer while cooking is in progress.
23. Do not touch the drip tray until the appliance is unplugged and allowed to cool down to room temperature.
24. In order to avoid scald, remove the transparent lid carefully after cooking while keeping it away from your body. At the same time watch out for the condensate water.
25. When cooking is finished, the appliance should not be cleaned or washed immediately until the accessories cool down to room temperature.
26. Never immerse the appliance into water or wash it under running water.
27. The steamer is not intended to be operated with an external timer. To avoid any danger, never connect the appliance to an external timer.
28. Do not use the appliance if the plug, the cord, the base or the product itself has been damaged.

29. Do not frequently connect and disconnect the water tank to avoid damaging the seal ring of the water tank, which can cause water leakage.

30. Residual water may be present in the drip tray. Cool down the drip tray, remove the water and wipe clean the drip tray before applying it again.

31. If there is residual water on the surface of the appliance, turn off power immediately and wipe it clean before resuming operation.

32. Do not dry heat the appliance for more than 10 minutes as it will reduce the steamer's service life.



Please do not touch surface while in use. The temperature of accessible surfaces may be high when the appliance is operating.

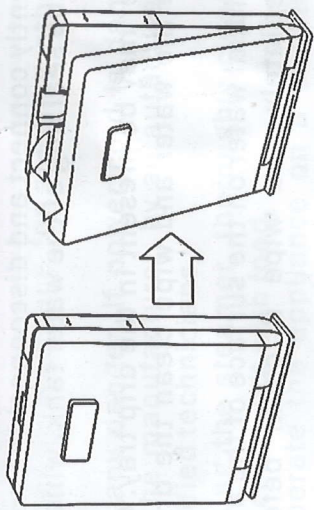
Operating Instructions

Prior to Usage

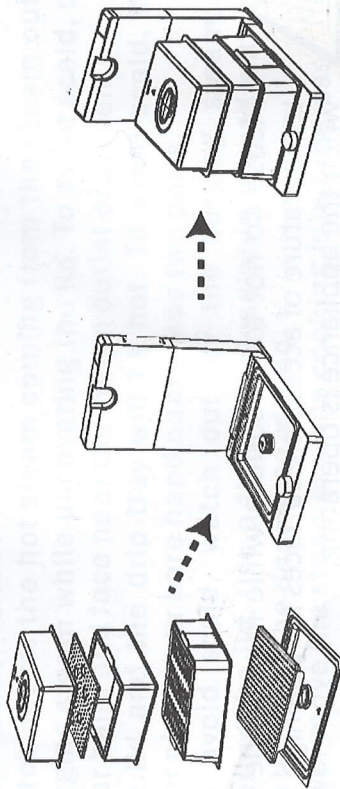
Remove the packaging. Clean the appliance before usage (refer to Care and Maintenance section). A slight scent of smoke or chemical substance may be detected during its initial application. The emission of odor is a normal phenomenon and it will disappear quickly.

Step 1:

Put the food steamer on a flat surface.

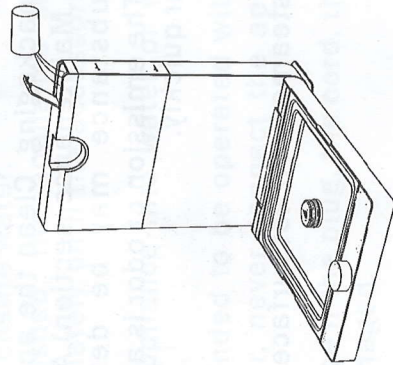


Step 2: Install the drip tray and the steaming plate onto the machine with the drip tray below the steaming plate. Place food onto the steaming plate or heat-resistant cookware.

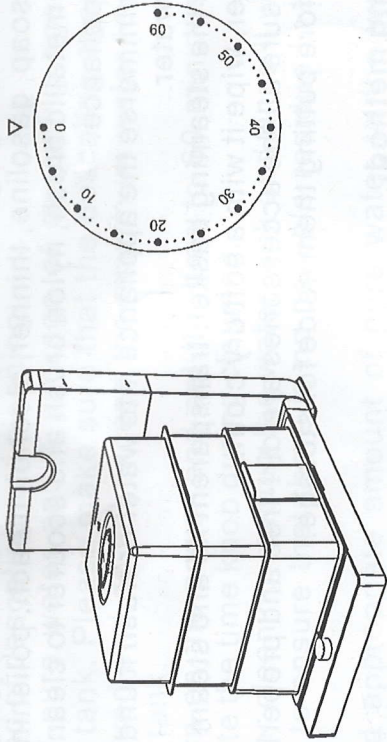


Step 3:

Fill the water tank, make sure water does not exceed the maximum level indicator.

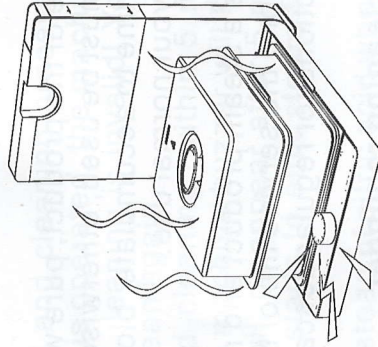


Step 4: Use the partition to increase the cooking capacity. Place additional food on the transparent steaming basket and then cover the steamer with the lid. Note: the steam outlet should be placed towards the water tank.



Step 5:

A ticking sound will be emitted when cooking is complete. Unplug the appliance and wait for 4-5 minutes (to avoid steam scalds), uncover the lid and dish up the food. Allow the drip tray to cool down, remove it from the steamer and discard the condensate water.



Cleaning & Maintenance

1. Clean the appliance every time after it is used. Switch off the timer knob, unplug the device, cool down the device and remove the condensate water in the drip tray.
2. To avoid damaging the unit, do not use any cleaning agents such as soap, gasoline, thinner, alcohol, bleach, polishing powder, metallic brush, nylon brush and scourer to clean any part of appliance.
3. Never immerse the appliance into water or wash it under running water.
4. Clean the steaming basket, transparent lid and steam racks with water, wipe it with a soft dry cloth.
5. Make sure all the accessories are dirt-free and properly dried before putting them aside for storage.

Descaling method:

After the product is used normally for about 1 month, there will be some scale deposits in the steam generator, which is normal. The amount of sediment depends on the hardness of the water quality and the actual frequency of use of the product. If you use it too frequently or use it for too long each time (more than 2 times a day, or more than 60 minutes each time), it is recommended to clean it once a month.

Important tips:

1. For normal use of the product, pure water or water filtered by a water purifier must be used, otherwise it will cause the main parts of the machine to accumulate, block, and not steam, which will affect your normal use.
2. This product is a steam product and requires periodic descaling to prolong the service life of the product. Please follow the instructions for regular descaling and cleaning.

Descaling and cleaning reminder

This machine has the function of descaling and cleaning reminder. After starting, if you hear the machine's buzzer beeping continuously, it means that the machine needs clean.

reminder. After starting, if you hear the machine's buzzer beeping continuously, it means that the machine needs descaling, cleaning and maintenance. The machine must be maintained in accordance with the following descaling and cleaning methods before it can be used normally.

Method of descaling and cleaning:

1. Add pure water and 1 package of descaling agent to the water tank. Please make sure that the descaling agent is fully dissolved and do not exceed the maximum water level of the water tank.
2. Turn on the power and set the time to 60 minutes. Do not operate the time knob during cleaning.
3. After cleaning, unplug the water tank and rinse it with clean water to ensure that there is no descale residue in the water tank.
4. Add appropriate amount of pure water to the water tank again, set the time for more than 20 minutes, and rinse once.
5. If the scale accumulation is serious, repeat the above descaling and cleaning steps once.

Precautions:

1. When descaling and cleaning, be sure to cover the steaming cover, do not lift the steaming cover halfway, so as to avoid scalding by steam jet!
2. During the descaling and cleaning process, if the power is cut off or the time knob is operated, the machine will determine that the descaling and cleaning is invalid! You need to follow the cleaning steps to clean again.
3. During descaling and cleaning, within 5 minutes after the machine is started, the machine buzzer will keep sounding an alarm, and the alarm will disappear after 5 minutes, and wait for 5 minutes before it starts to emit steam for descaling and cleaning.
4. Do not use vinegar instead of citric acid when cleaning.
5. After descaling and cleaning, a small amount of impurities may be sprayed from the air outlet cover of the machine during later use. This is the residual scale in the pipeline, which is a normal phenomenon and does not affect normal use!

Trouble Shooting

If the following problems are encountered, follow the instructions below. If the problem persists, please contact our Customer Services and Repair Centre.

Issues	Possible causes	Solutions
Not steam is observed	<ul style="list-style-type: none"> The appliance is not activated Empty water tank A protective measure to delay steam generation 	<ul style="list-style-type: none"> Power up the appliance Fill the water tank Wait 25 seconds for steam to be generated
The timer knob does not function	<ul style="list-style-type: none"> The appliance is not activated The timer is not set 	<ul style="list-style-type: none"> Power up the appliance Set the timer
The power indicator does not light up	<ul style="list-style-type: none"> The appliance is not activated 	<ul style="list-style-type: none"> Power up the appliance
Unable to fold the steamer	<ul style="list-style-type: none"> High temperature environment will weaken the magnetic force 	<ul style="list-style-type: none"> Cool it down before putting it aside for storage

Note: For safety purpose, any unauthorized attempt to dismantle the product is prohibited.

Reference Guide

Food-Time	
Milk-5min	Stuffed bun-12 min
Egg-15 min	Cauliflower-12 min
Chinese Cabbage-10 min	Fish-15 min
	Carrot-15 min
	Rice cake-15 min
	Eggplant-20 min

1. It is recommended to adjust the cooking time according to personal taste and the amount of food.
2. The egg can be placed on the egg hole of the steaming plate.
3. The maximum weight of food on the steaming tray and steaming plate is 500g.
4. Applicable utensils: heat-resistant tableware
5. Pay attention to high temperature steam during cooking to avoid scalding.

清洁和维护

每次使用后都要清洗器具。关闭计时器旋钮，拔掉设备的插头，冷却设备，并沥去蒸汽发生器中的冷凝水。关闭计时器旋钮，拔掉设备的插头，冷却设备，并沥去蒸汽发生器中的冷凝水。为避免损坏本机，请勿使用肥皂、汽油、稀释剂、酒精、漂白剂、抛光粉、金属刷、尼龙刷和洗涤剂清洗器具的任何部分。

1. 切勿将器具浸入水中或在流水下清洗。
2. 用水清洗蒸篮、透明盖、蒸架，用干软布擦净。
3. 确保所有的配件都是干净的和适当的干燥，然后把他们放在一边储存。

除垢提示:

产品正常使用时，蒸汽发生器内会有一些水垢沉淀，这是正常的。每次使用的时间过长(每天2次以上，或每次60分钟以上)，建议每月清洗一次。重要提示:1. 为了正常使用本产品，必须使用纯净水或经过净水器过滤过的水，否则会造成机器主要部件堆积、堵塞，而不产生蒸汽，影响您的正常使用。2. 本产品为蒸汽产品，需要定期除垢，以延长产品使用寿命。请按照说明进行定期除垢和清洁。除垢清洗提示

本机具有除垢清洗提示功能。启动后，如果听到机器蜂鸣器持续发出“滴滴”报警声，表示机器需要除垢清洗保养。必须按照以下除垢清洗方法保养后，机器方可正常使用。

除垢清洗方法如下:

1. 往水箱内添加纯净水和10ml新鲜柠檬汁，请勿超出水箱最大水位线；接通电源，设定时间40分钟，中途请勿操作定时器；
2. 除垢清洗时，机器启动后2分钟内，机器蜂鸣器会一直发出“滴滴”报警声，2分钟后“滴滴”报警声消除并开始出蒸汽进行除垢清洗；
3. 清洗完成后，把水箱拔下并用清水把水箱冲洗干净，确保水箱内没有柠檬汁残留；
4. 再次往水箱内添加适量纯净水，设定时间20分钟以上，冲洗一次。
5. 如水箱内积水严重，可重复上述除垢清洗步骤一次。

SERVICE & IMPORTANT NOTICE

- If the supply cord is damaged, it must be replaced by the manufacturer or its service agent or a similarity qualified person in order to avoid a hazard.
- **WARNING:** This appliance is not intended for use by persons (including children) with reduce physical, sensory or mental capabilities, or lack of experience and knowledge, unless they have been given supervision or instruction concerning use of the appliance by a person responsible for their safety.

IMPORTED BY NATIONAL ELECTRICAL TRADERS