



S.S. ELECTRIC SMART STEAM BOAT 3 IN 1

INSTRUCTION MANUAL

Please read carefully and keep the instruction well

MODEL: SSB 6625
220-240V~50-60Hz,
POWER: 1500-1800W
CAPACITY: 2.5L



MODEL: SSB 6640
20-240V~50-60Hz,
POWER: 1500-1800W
CAPACITY: 4.0L



- not operate the product with an extension cord.
- When pulling the power cord plug, hold the plug part. Do not forcibly pull the power cord. Otherwise, it may cause electric shock or short circuit.
 - Do not connect and pull the power cord with wet hands, otherwise it may cause a short circuit or electric shock.
 - Except professional maintenance technicians, please do not disassemble, repair or modify the machine yourself, otherwise it may cause fire and electric leakage.
 - When the water is boiling, do not move the cooker.
 - This product is for indoor use and household only and should not be placed outdoors. Do not use this product for non-designated purposes.
 - The appliance can be used for children over 8 years of age and for people with physical, sensory or intellectual abilities and lack of experience and knowledge. Their use of the appliance requires supervision or guidance from safe use of the appliance and an understanding of the hazards involved.
 - Adults should instruct children not to play this appliance.
 - Regularly check the power cord of this product. If the power cord is damaged, it must be replaced by our after-sales service department or qualified electricians to avoid danger.
 - When the water is boiled several times, white water stains will adhere to the stainless steel inner surface. This is a normal phenomenon, which is caused by impurities in the water, suggest that you use Lemon Acid to remove the stains after use.
 - When cooking food, the amount of water and food should not exceed MAX mark to avoid spilling of the boiled water. If the water is spilled out, immediately turn off.
 - When the cooker works to boil water and cook, users need to look after it when in use. When the water boils, the water spray is violent. Please shut down immediately to avoid the danger of boiling water.
 - Do not place the cooker near a heat source such as a water heater, electric stove or microwave oven.
 - When using the cooker, make sure that there is at least 10 cm of space on each side of the main unit to allow air to circulate.
 - When not using the cooker or cleaning, please unplug the power cord first, and then cool down before disassembling the accessories.
 - When using, the surface temperature of the product is very high. Do not touch the lid and Metal parts to prevent burns. When uncovering the lid, be careful to avoid the steam hole and prevent from burns.
 - When steaming food: First pour in about 1L of water then put the basket in the cooker, press the "Hot Pot" mode, and then press the rising key, lift the top of the glass cover, cooking should not exceed 10-15 minutes, user must not leave it unattended while in use. Prevent not to dry-burning the cooker.

2

Safety Precautions

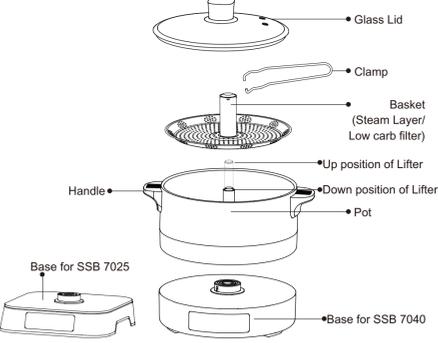
- Please read the instructions and all the illustrations carefully before using this product. Keep this description for future reference.
- Before plugging in the power supply, please check whether the voltage indicated on the product (on the bottom of the electric cooker and the base unit) matches the voltage at your home (AC220-240-50/60Hz).
- Connect the product power cord to a grounded power outlet to ensure personal safety. If there is any damage to the power cord of this product, please contact our after-sale-service center and it must be replaced by our maintenance personnel.
- When using this product, it should be placed on a stable platform and placed out of reach of children.
- Do not use this product on or near the surface of not heat-resistant objects such as carpets and plastics. Do not place the items that are susceptible to steam on top of this product.
- When the product is used, a large amount of steam will be sprayed from the spout of the pot, and the steam will be carefully burned.
- Please keep the surface of the heating stain base of the machine clean. After each use, you must clean the dirt or water on the surface of the base.
- When cleaning the body of the cooker, do not immerse it in water or allow liquid to flow into the interior of the product or inside the base to avoid danger!
- If there is no water in the cooker, please do not dry-cooking, otherwise it will affect the service life of the product.
- This product has an dry boil protection function. When the temperature of the heating base is overheated, it will automatically power off.
- If you accidentally dry boiling during use, first unplug the power plug from the power socket, then let the unit cool for 15 minutes, then fill in cold water, the unit will automatically return to normal.
- The product must be taken care of while the boiling or cooking process. Please do not allow children to approach the cooker, and do not let the children pull the power cord or tap the electric cooker.
- Please do not immerse the power cord, plug, and the whole machine or base in water or other liquids to prevent damage to the product and electric shock.
- If the machine, base or other parts are damaged, please stop using it immediately. Please contact our after-sales service department for repair.
- Place the product on the platform or on the table to make sure that the cooker and base are not tipped over and that water does not spill into the base unit.
- When adding water to the cooker, do not exceed the maximum water mark line inside cooker. When the water volume exceeds Max Level, the water will overflow after the boiling water boils.
- During the working process, please do not touch the Metal parts by hand to avoid being burnt.
- When using this product, make sure that the power outlet is in good contact. Do

1

- It is not allowed to lift the pot when the basket is rising up.
- It is not allowed to lift the pot when cooking.



General Structure



4

- Before cleaning this product, if there is a basket in the pot, please take out the basket now, switch the power to standby state, you can pick up the cooker body to clean.
- Do not place this product on a hot area.
- This product cannot be used for deep-fry cooking.
- Do not cook large size of food or glass and plastic utensils in the pot so as avoid danger.
- Do not store any flammable articles (such as towels, paper, etc.) in the pot, which are easy to cause fire, when used. No flammable articles (such as curtain, paper, etc.) should be placed around them, which can easily lead to fire. Do not put cardboard, plastic, paper and other similar flammable articles in the pot heating, do not use accessories not supplied with this cooker.
- Do not use accessories not supplied with this cooker to avoid danger and injury.
- When the cooker not in use or before cleaning the product, must be not plug-in.
- When boiling state, it is prohibited to pick up the body during the lifting mode.
- Do not touch the glass lid and steam hole outlet position and glass surface by hand during cooking to avoid scalding.
- The product with a "warning" sign, please pay attention to compliance before use.



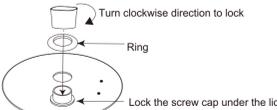
- After connecting the power, Do not use any metal to touch the coupler.



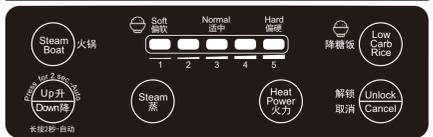
3

Install Glass Lid Handle

For the first time, the pot cover handle needs to be installed to the glass lid. (The installation method is shown in the figure)



Control Panel



Tips: On "Steam boat" function mode, press "Heat Power" to select 1(good for keep warm), 2(good for porridge), 3(good for steam), 4(good for soup), 5(good for steam boat), many other functions can DIY by yourself.

User Guidance

- "Unlock/Cancel" key
 - Unlock: After connection, the "Unlock/Cancel" indicator lights flicker into locked state, then press the "Unlock/Cancel" key to unlock and start stand-by mode, four function light indicator begin to flash.
 - Cancel: Press "Unlock/Cancel" key to cancel the procedure of function.
- "Steam Boat" function

First take appropriate amount of water or soup into the pot, and then place basket inside the pot, the highest water capacity plus food must not exceed the MAX line of the pot. Press "Unlock/Cancel" to unlock the function keys, select "Steam Boat" function, the "Steam Boat" light will be on after flashing for 5 seconds. The heating process will start working, and after the water is boiled, uncover the lid, and then add ingredients on the
- Drop Off Impurity By Water: On stand-by mode, fill the container with appropriate water, press "Up/Down" key for 2 seconds, the "Up/Down" and "Unlock/Cancel" light indicator begin to flash, the basket will lift up and drop down automatically. Put ingredients such as rice or other cereals on basket to drop off impurity. The setting is not adjustable, except "Unlock/Cancel" key, all the other key is not available during this mode.
- Lazy Hot Pot: Fill the container with appropriate water, turn on "Hot Pot" mode, press "Up/Down" key for 2 seconds, the "Up/Down" light indicator begin to flash, and the "Unlock/Cancel" and "Hot Pot" lights are on. The cooker will heat for 30 sec., and then the basket will be lifted up for serving food and/or filling ingredients for 30 seconds, at this moment, the cooker will shift to "Low Power Heating" mode automatically, and then drop down the basket for cooking with "Full Power Heating" automatically for 30 seconds cycle. The setting is fully fuzzy-logical, not adjustable.
- Manual "Up/Down": Fill the container with appropriate water, turn on "Hot Pot" mode, tap "Up/Down" key, the basket will be lifted for serving food or food filling ingredients, the cooker will shift to "Low Power Heating" mode automatically, and then drop down the basket by tapping the "Up/Down" key again, the cooker will shift to "Full Power Heating" mode automatically. The "Heat Power" key is available during this mode.
- "Heat Power" key (available only under "Steam Boat" and "Steam" mode only)

After selecting the "Steam boat" or "Steam" function, press the "Heat Power" key to adjust the power level: 1-2-3-4-5-1-2-.....

5

basket. (Do not put ingredients without basket on place, causing the ingredients may stick on the bottom of the pot), you can adjust the power heat by pressing the "Heat Power" key the relative indicator light will be on.

NOTE:

- To avoid dry-burn or overflow, close supervise is needed, if the glass lid is covered.
- Dry-burning will reduce product life.
- When cooking food with soy sauce or dark color ingredients in the pot, clean it immediately after use, otherwise the pot will be stained with color of sauce or ingredients.

- "Low Carb Rice" function

Rinse less than 320g rice (about two cups of general rice cooker) with the basket and put the basket on "Down place of lifter", fill clear water into the pot to just cover basket(refer to "Low Carb Rice" water level mark), plug-in the power cord to the power supply, press "Unlock/Cancel" to unlock, select the mode of "Low Carb Rice", The defaulted mode is "Normal", press again and again, to select "Soft"--"Normal"--"Hard"--"Soft"--"Normal"....., the relative LED is on. The cooker will starts to work after 5 seconds if not more operation, and the basket will automatically rise up and down during cooking. The whole process is automatic. A long buzzer sound will be given after the rice cooking and drop off water procedures is completed, and enter the keep warm state, the rice will keep warm at about 80 °C automatically, and return to the standby state after 24 hours keep-warm.

 - The "Up/Down" or "Heat Power" buttons is not available on the "Low Carb Rice" mode.
 - The 3 setting is fuzzy-logical, not adjustable, so DO fill water to "Low Carb Rice" water level mark, otherwise rice cooked may be rare.
 - The under-mentioned cooking times are for reference only, chose "Taste" should be according to actual temperature/atmospheric pressure/different brands of rice.

Taste	Cooking time	Drop off water time	Keeping warm time	Rice meals
Soft	25.5 minutes	3 minutes	24 Hours	Around 5 Bowls of rice
Standard	21.5 minutes	3 minutes	24 Hours	Around 4.5 Bowls of rice
Hard	17.5 minutes	3 minutes	24 Hours	Around 4 Bowls of rice

- "Steam" function

Put basket on "Down place of lifter", fill water to under the bottom of basket, put food on the basket, press "Unlock/Cancel" to unlock, tap the "Steam" key, the "Steam" lid indicator will be on after flashing for 5 seconds, The defaulted "Steam" procedure is on, the basket will shift to "Up position of lifter" automatically. Manually turn off "Steam" procedure by tapping "Unlock/Cancel", otherwise "Steam" procedure will stop after running out of water.

NOTE: On "Steam" function, DO NOT tapping "Unlock/Cancel" twice when food is on basket, otherwise the basket will drop down to "Down position of lifter", the food on basket may be wet by water.
- "Up/Down" function

6

Cleaning and Maintenance

- There are scale on the bottom after cooking, it is normal phenomenon, boil slices of lemon or vinegar with water to clean it regularly. The dirt or scale on the surface of the pot bottom may cause malfunction.

Methods of cleaning scale with vinegar are as follows:

 - Mix the daily vinegar and water in a ratio of 1:2, fill the pot (maximum water level line) and start to boil the water, and wait after boiling, turn off the power and return to standby mode
 - Keep the mixture in the pot for about 15 minutes.
 - Pour off the mixture.
 - Fill the fresh water to the highest level and restart the hot pot mode for boiling.
 - Pour out the water that has been boiled. Clean the pot and the surface with a towel and complete the cleaning procedure.
- Do not immerse the cooker in the water or allow liquid to flow into the interior of the product or inside the base when cleaning the cooker to avoid danger!
- If there is no water in the cooker, do not start any operation function including heating and drowning, otherwise it will affect the service life of the product.
- Please do not immerse the power cord, plug, and the whole cooker or machine base in water or other liquids to avoid damage to avoid damages the product and electric shock.
- Please do not use sharp hard objects to damage the cooker.
- This product can only be used within the safe voltage range provided.

7

- 本产品加热后锅体底部会有少许水垢, 属正常现象。可用柠檬片或白醋加水煮泡去除, 否则可能导致烹饪故障。白醋去水垢具体方法如下:
 - 以1:2的比例将食用醋+水混合, 加至最高水位线MAX加热, 等混合物沸腾后, 关闭本机。
 - 将此混合物保留于锅内约15分钟。
 - 将此混合物倒出。
 - 加清水至最高水位线MAX, 启动火锅功能加热至沸腾。
 - 倒出沸腾的清水, 用抹布擦拭内胆完成清洗。
- 清洗内胆时锅体切勿浸入液体中或让液体流入锅体内部, 以免发生危险!
- 如果锅无内水, 切勿开始任何加热功能操作, 否则会干烧, 影响到产品的使用寿命。
- 请不要将插头, 底座或锅体浸入水中或其他液体中, 防止损坏产品及触电。
- 使用完后清洁产品时请不要用尖锐的硬物去刷洗整机及内胆, 避免损坏产品。
- 本产品只可在规定的电压范围内使用。

SERVICE & IMPORTANT NOTICE

- If the supply cord is damaged, it must be replaced by the manufacturer or its service agent or a similarity qualified person in order to avoid a hazard.
- WARNING:** This appliance is not intended for use by persons (including children) with reduce physical, sensory or mental capabilities, or lack of experience and knowledge, unless they have been given supervision or instruction concerning use of the appliance by a person responsible for their safety.