

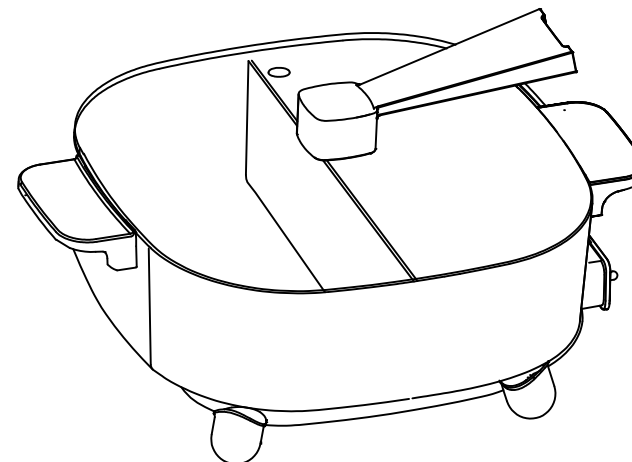
## SERVICE & IMPORTANT NOTICE

- If the supply cord is damaged, it must be replaced by a special cord or assembly available from the manufacturer or its service agent.
- **WARNING:** This appliance is not intended for use by persons (including children) with reduced physical, sensory or mental capabilities, or lack of experience and knowledge, unless they have been given supervision or instruction concerning use of the appliance by a person responsible for their safety.

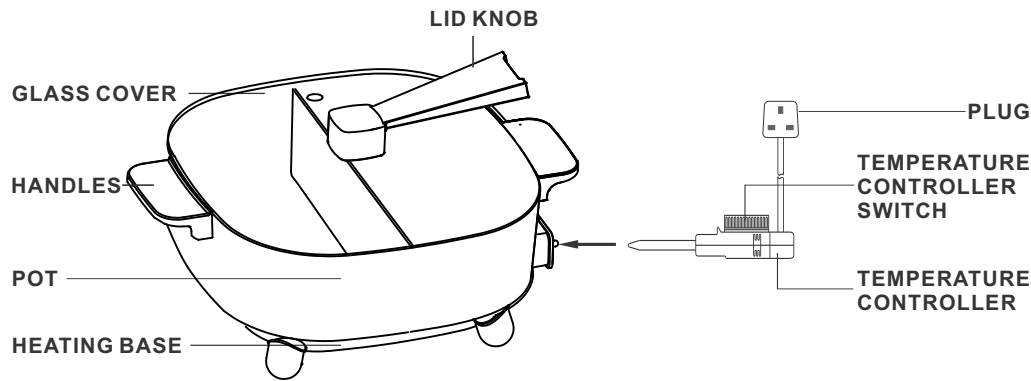
**Toyomi**<sup>®</sup>

**ELECTRIC HOT POT**  
**MODEL: MC 5001**  
**220-240V~50/60Hz, 1500W**

**INSTRUCTION MANUAL**  
**Please read carefully and keep the instruction well**



## 1. NAME OF PARTS:



## 2. IMPORTANT SAFEGUARDS.

When using electrical appliances, basic safety precautions should always be followed, including the following.

- A. Read all instructions.
- B. Do not touch hot surfaces. Use handles or knobs.
- C. To protect against fire, electric shock and injury to persons do not immerse cord, plugs, or heating base in water or other liquid.
- D. Close supervision is necessary, when any appliance is used by or near children.
- E. Unplug from outlet when not in use and before cleaning. Allow to cool before putting on or taking off parts, and before cleaning the appliance.
- F. Do not operate any appliance with a damaged cord or plug or after the appliance malfunctions, or has been damaged in any manner. Return appliance to the authorized service facility for examination, repair or adjustment.
- G. The use of accessory attachment which aren't recommended by the appliance manufacturer may result in fire, electric shock or injury to persons.
- H. Do not use outdoors.
- I. Do not touch hot surface, or let cord hang over edge of counter or table.
- J. Do not place on or near a hot gas or electric burner, or in a heated oven.
- K. Always attach plug to appliance first, then plug cord into the wall outlet. To disconnect, remove plug from wall outlet.
- L. Do not use appliance for other than intended use.

## 3. FEATURES:

- A. It combines the advantage of Chinese cuisine culture with western cuisine culture in the aspects of design and modeling.
- B. Provided with temperature controller, you can adjust the temperature as you need in cooking.
- C. The combination structure allows the hot pot be separated from the heating base freely for easy cleaning and operation.

## 4. OPERATION INSTRUCTIONS:

- A. Before each operation, check if there are any articles on the surface of the heating board, remove it if there is any.
- B. Place the pot with soup (water) levelly on the heating base, and turn it to ensure its bottom meets well to the heater.
- C. Plug the temperature controller into the socket of heating base. Must fully insert the temperature controller into the socket. Plug the power plug into the power socket, the power indicator light is on.
- D. Adjust the temperature controller switch, when the power indicator lights on, that means it is working.