

The remote control must face to the receiver

1. The using range of the remote control must be with in 6 meters away from the receiver. If the remote control isn't faced to the receiver, it's using range will be narrowed.
2. If this fan is used in the room with operating high-power machines ,the remote control may be out of order.
3. Don't put any obstructions between the receiver and the remote control.
4. Please take good care of the remote control and avoid knocking and breaking it.

CLEANING AND STORAGE

1. Be sure your fan is in the **OFF** position.
2. **Unplug** the fan from the electricity supply.
3. Loosen the tightening Plastic Rim and remove the Front Grille.
4. Unscrew the Spinner by turning it **CLOCKWISE (REVERSE THREAD)**.
5. Pull the Fan Blade away from the Motor Axis.
6. Gently wipe the Fan Blade and Grilles with a damp cloth.
7. **DO NOT** use gasoline, paint thinner or other chemicals to clean the fan.
8. For storage, disassemble and clean the fan carefully as instructed and store in its original box. You may leave the fan assembled and covered to protect it from dust. Store the fan in a cool dry place.

SERVICE & IMPORTANT NOTICE

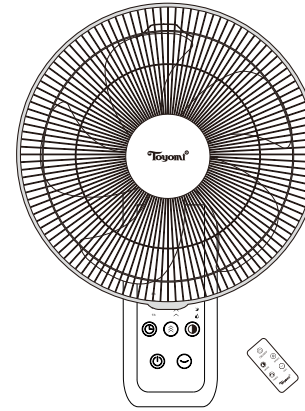
- If the supply cord is damaged, it must be replaced by the manufacturer or it's service agent or a similarity qualified person in order to avoid a hazard.
- **WARNING:** This appliance is not intended for use by persons(including children) with reduce physical, sensory or mental capabilities, or lack of experience and knowledge, unless they have been given supervision or instruction concerning use of the appliance by a person responsible for their safety.

IMPORTED BY NATIONAL ELECTRICAL TRADERS

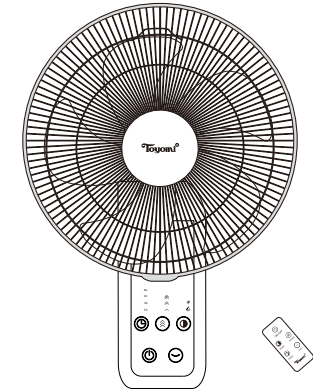
Toyomi®

INSTRUCTION MANUAL

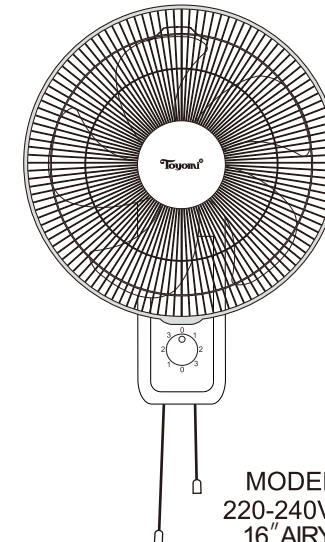
Please read carefully and keep the instruction well



MODEL: FW 4518R
220-240V~50Hz, 55W
16" AIRY WALL FAN
WITH REMOTE



MODEL: FW 3614R
220-240V~50Hz, 55W
12" AIRY WALL FAN
WITH REMOTE

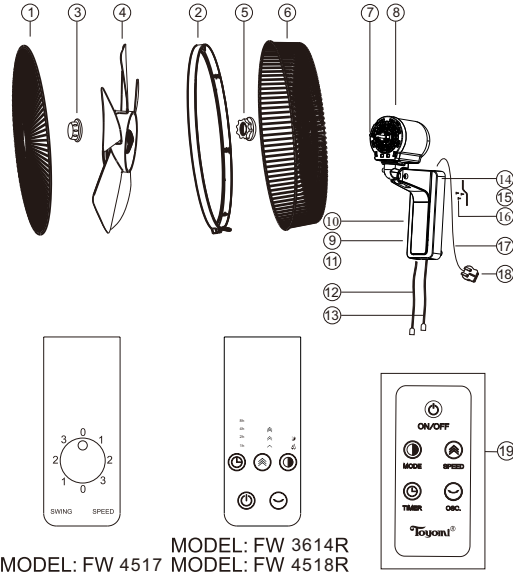


MODEL: FW 4517
220-240V~50/60Hz, 55W
16" AIRY WALL FAN

Thank you for choosing our Electric Fan. Your new fan has been designed using the latest technology. With normal maintenance, your Electric Fan will provide years of satisfactory performance. Please read and save this Owner's Manual carefully before using this fan!

MAIN PARTS

Item No	Components
1	Front Grille
2	Plastic Ring
3	Spinner
4	Blades
5	Plastic Nut
6	Rear Grille
7	Motor Axis
8	Motor Housing
9	Manual Control Panel
10	Switch (Only for FW 4517)
11	Receiver (Only for FW 4518R FW 3614R)
12	Rope-A (Only for FW 4517)
13	Rope-B (Only for FW 4517)
14	Fix To The Bracket
15	Hanging Bracket
16	Screw
17	Power Cord
18	Plug
19	Remote Controller (Only for FW 3614R) (Only for FW 4518R)



MODEL: FW 4517 MODEL: FW 3614R
MODEL: FW 4518R

SAFETY INSTRUCTIONS

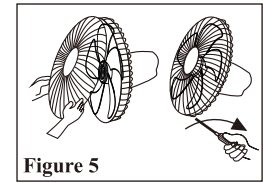
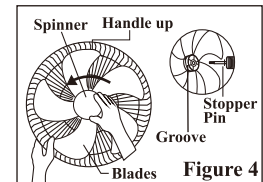
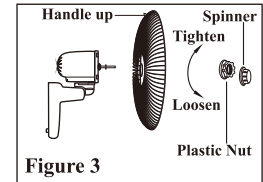
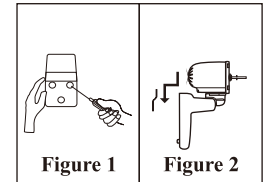
When using electrical appliances, basic precautions should always be followed to reduce the risk of fire, electric shock & injury to persons, including the following:

1. Please read all instruction before using the product.
2. The fan is only intended for use as described in the instruction manual.
3. Never insert fingers, pencils or any other object through the grille.
4. To protect against electrical hazard, do not immerse fan, plug or cord in water or spray with liquid.
5. Close supervision is necessary when any appliance is used by or near children.
6. Avoid contact with moving fan parts.
7. Turn the fan to the **OFF** position and unplug the fan from the outlet when not in use, when moving the fan from one location to another, assembling and before cleaning.
8. To disconnect the fan, first turn control to the **OFF** position, grip the plug and pull it from the wall outlet. Never pull by the cord.
9. **Do not** operate the fan in the presence of explosive and/or flammable fumes.
10. **Do not** place the fan or any parts near an open flame, cooking or other heating appliance.
11. **Do not** operate the fan with a damaged cord or plug or if the product malfunctions, is dropped or damaged in any manner.
12. The use of attachments not recommended by the manufacturer may be hazardous.
13. If the Power cord is damaged, it must be replaced by the Qualified Electrician or Professional Technician in order to avoid a hazard.
14. **Do not** operate the fan without the protective front and rear grilles in position.
15. **Do not** operate if the fan housing is removed or damaged.

16. A loose fit between the AC outlet (receptacle) and plug may cause overheating and a distortion of the plug. Contact a qualified electrician to replace loose or worn outlet.

ASSEMBLY

1. Please mount the hanging bracket on the wall with three screws provided. (Figure 1)
2. Please hang the fan with the fix onto the hanging bracket. (Figure 2)
3. Remove the spinner and the plastic nut from the front side of the motor. Fit the rear grille to the motor shaft with handle up, tighten the plastic nut. Take the plastic ring out of packing carton, slip the ring of the rear grill into the deep slot of the plastic ring, screw the bolt in the joint of the rim properly. (Figure 3)
4. Discard PVC sleeve on shaft. Insert the blade into shaft, make sure the stopper pin is clipped into the groove of the blade. Screw the spinner counterclockwise to tighten the blade. (Figure 4)
5. After put the centre piece of the front grill upright, slip the ring of the front grill into the another slot of the metal rim, tighten the bolt in the joint of the rim by a screwdriver. (Figure 5)



CAUTION: To avoid the risk, make sure the Plastic Rim tie the Front Grille and Rear Grille up before operating.

OPERATION

1. Pull Rope-A: Adjust the position of the oscillation.

2. Pull Rope-B: To turn off the fan, 1 for low wind speed, 2 for medium wind speed & 3 for high wind speed.

Controlled with finger touch type key: The functions of the key are the same respectively with remote control type.

- ⊙: TIMER
- ⊕: SPEED
- ⊖: MODE
- ⊙: ON/OFF
- ⊖: OSC.