



# INSTRUCTION MANUAL

## 16" STAND FAN WITH REMOTE

MODEL: FS 4088R

230V~50Hz

POWER: 60W



**Read all Instructions before Using**

**WARNING: To reduce the risk of fire, electrical shock, and injury to person, the following must be adhered to:**

1. This appliance is not intended for use by persons (including children) with reduced physical, sensory or mental capabilities, or lack of experience and knowledge, unless they have been given supervision or instruction concerning use of the appliance by a person responsible for their safety.
2. Children should be supervised to ensure that they do not play with the appliance.
3. The product is for household use only.
4. Connect the appliance to a single-phase AC supply voltage, specified on the rating plate.
5. Never leave the fan un-attended while it is in use. Always turn the fan to the "OFF" position, and unplug the fan from the electrical outlet socket, when not in use.
6. Extreme caution is necessary when any fan is used by or near children, invalids or elderly persons, and whenever the fan is left operating un-attended.
7. The fan cord must not be placed under carpets, or covered with throw rugs. Arrange the cord away from the traffic area, and where it will not be tripped over.
8. Do not operate the fan with a damaged cord or plug, or after the fan malfunctions, or has been dropped, or damaged in any manner.
9. If the supply cord is damaged, either the manufacturer, or the service agent, or a similarly qualified person, must replace it, to avoid a hazard.
10. Use the fan in a well ventilated area. While in use, ensure that the airtakes or exhaust openings are not blocked un-expectedly, and the fan

distance from the wall or corner must be no less than 20cm. The fan should not be placed below or besides any curtains or similar

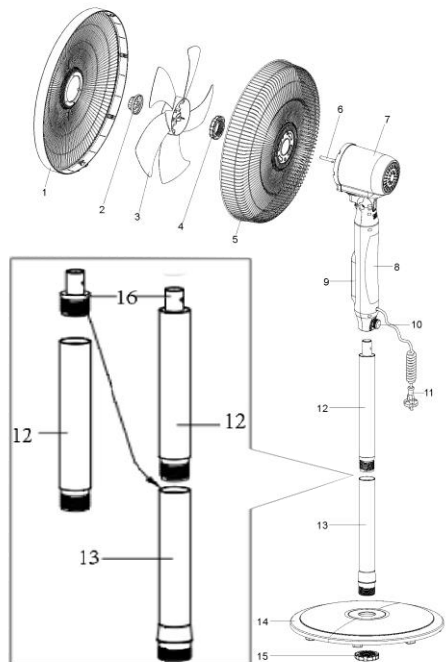
11. To avoid mechanical danger when in use, do not insert, or allow fingers, or any other objects into the grill. Do not block the air-intakes or the exhaust openings in any manner.

12. The fan must only be placed, and used on a flat dry floor.

### **For household use only**

### **Structure and parts**

1. Front grill
2. Blade fasten nut
3. Blade
4. Grill fasten nut
5. Back grill
6. Motor shaft
7. Motor cover
8. Back control box
9. Control panel
10. Bolt
11. Power cable
12. Top tube
13. Bottom tube
14. Base
15. Base fasten nut



## **Assembly Instructions**

The fan is packaged with its grills un-attached. You must attach the grills before operating the fan.

**WARNING: Never operate the fan without its foundation and other parts. The fan must only operate in the up-right position, and any other position will be hazardous.**

Do operate the fan only in upright position; any other position could create a hazardous situation.

Assemble the foundation and other parts of the appliance in the following sequence:

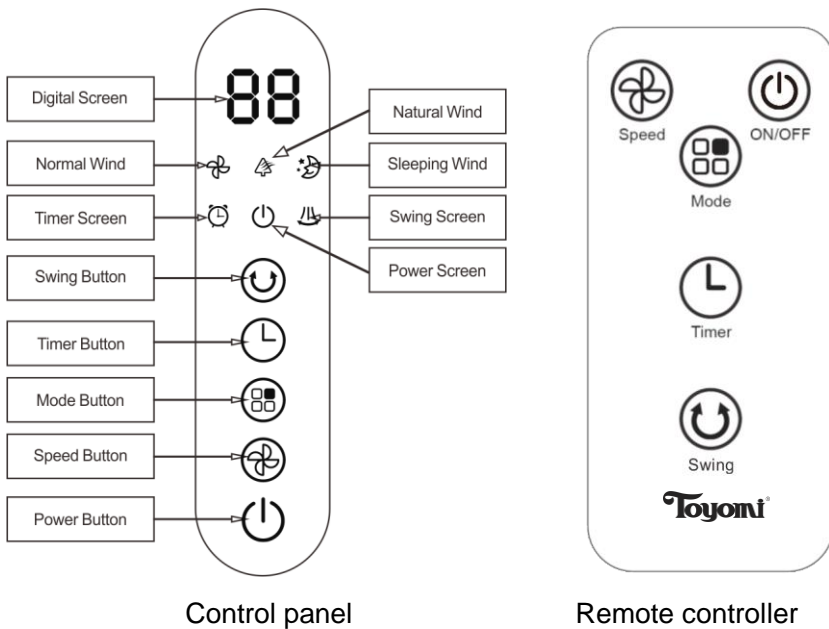
### **Used as Stand fan**

- a) Unpack the fan and remove all parts from the package
- b) Insert the bottom tube(13) into the hole of base(14), place the base fasten nut (15) under the base(14) and tighten the base fasten nut(15).
- c) Insert the top tube(12) into the hole of bottom tube(13), rotate the top tube(12) clockwise until fasten the top tube and bottom tube, then put the top tube(12) into control box and tighten bolt(10).
- d) Use the grill fasten nut(4) for the back grill(5) to attach the back grill(5) to the fan head, and then use the blade fasten nut(2) for the fan blade to hold the fan blade in place.
- e) To attach the front grill (1) to the back grill (5), you must use the grill ring carefully to hold them together, and fasten the grill ring with the screw provided.


### **Used as Desk-stand fan**

Step is the same as above, remove the top tube(12), rotate the connector (16) anticlockwise and put it on the top of the bottom tube (13) and rotate the connector (16) clockwise, put the bottom tube(13) into control box and tighten bolt(10).

## Operating Instructions




1. Before using the fan, make sure that it is on a flat and stable surface. Damage may occur if the fan is placed on an incline or decline.
2. Insert the plug into a standard socket, after all the light indicators and digital screen light for 5 seconds, the digital screen show --, the fan will enter into Stand-by mode.

3. Press the button “ON/OFF” on remote or “” on control panel to start the fan.

Press “speed button” to select the fan speed level, the fan have three speed setting: F1, F2, F3.

Press “Mode button” to select the fan mode: “NORMAL” wind, “NATURAL” wind, “SLEEP” wind.

Press timer button to set timer from 1 hour to 24 hours.

To stop the fan, just press the button “ON/OFF” on remote or “” on control panel.

4. If you want to increase the blast area in your room, press “Rotate button” on remote or “Swing button” on the control panel, and the fan will oscillate and blast your room in large scope. To stop oscillating, just press it again. Moving the fan head either up or down will change the direction of the wind.

5. Remove the plug from the socket-outlet to completely shut the fan off.

### **Cleaning / Maintenance Instructions**

To safely take care of your fan, please remember to follow these instructions below:

1. Always remove the plug from the socket-outlet, and allow the fan to stop completely before cleaning the fan.
2. Do not allow water to drip on, or enter into the fan housing.
3. Always use a soft cloth, moistened with a mild soap solution.

4. Do not use any of the following agents as a cleaner: Gasoline, Thinners, or Benzene.
5. In case of malfunction or doubt, do not try to repair the fan yourself, it may result in a fire hazard or electric shock.

### **FAN Cleaning**

Clean the fan grill, housing and base with a soft damp cloth. Do not attempt to remove the fan blades. Please use caution around the motor housing area. Do not allow the motor, or other electrical components to be exposed to water.

### **FAN Storage**

When storing your fan in the off-season, it is important to keep it in a safe dry location. It is important to protect the fan head from any dust. We strongly recommend using the original box, when storing the fan away.

## **SERVICE & IMPORTANT NOTICE**

- If the supply cord is damaged, it must be replaced by the manufacturer or its service agent or a similarity qualified person in order to avoid a hazard.
- WARNING: This appliance is not intended for use by persons (including children) with reduce physical, sensory or mental capabilities, or lack of experience and knowledge, unless they have been given supervision or instruction concerning use of the appliance by a person responsible for their safety.

**IMPORTED BY NATIONAL ELECTRICAL TRADERS**