



Electrical BBQ with Contact Grill

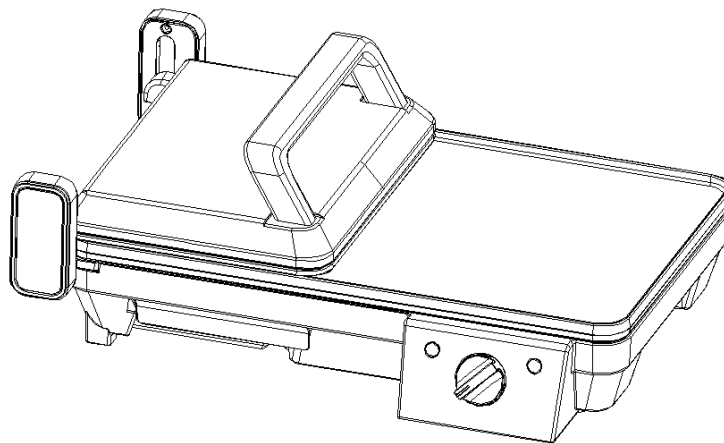
MODEL: BBQ 9205

220-240V~50/60Hz

POWER: 2000W

INSTRUCTION MANUAL

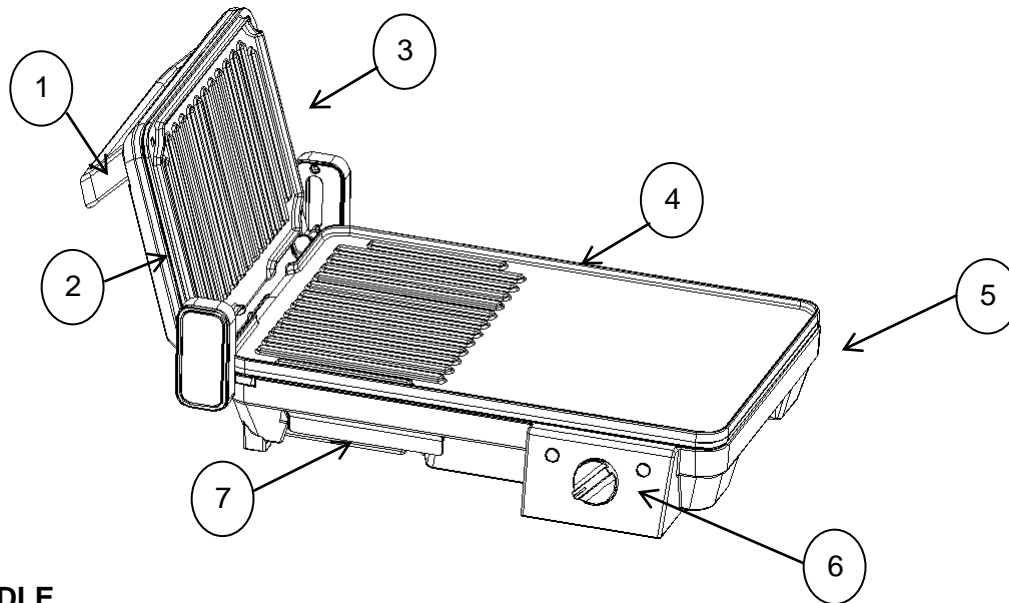
Please read carefully and keep the instruction well



Important safeguards

- When using electrical appliances, basic safety precautions should always be followed.
- NEVER IMMERSE the Main Unit Housing, which contains electrical components and heating elements, in water. Do not rinse under the tap.
- TO AVOID ELECTRICAL SHOCK, DO NOT put liquid of any kind into the Main Unit Housing containing the electrical components.
- This appliance has a three-pin plug. This plug is intended to fit into a polarized outlet in one way. DO NOT ATTEMPT to modify the plug in anyway.
- MAKE SURE the appliance is plugged into a wall socket.
- The temperature of the cover or the outer surface may be high when the appliance is operating. TO AVOID PERSONAL INJURY, never place hands inside the Unit unless it is thoroughly cooled.
- This appliance can be used by children aged from 8 years and above and persons with reduced physical, sensory or mental capabilities or lack of experience and knowledge if they have been given supervision or instruction concerning use of the appliance in a safe way and understand the hazards involved.
- Children should not play with the appliance. Cleaning and any maintenance should not be carried out by children unless they are older than 8yrs old and supervised.
- When cooking, DO NOT PLACE the appliance against a wall or against other appliances. Leave at least 5-inch free space on the back and sides and above the appliance. Do not place anything on top of the appliance.
- DO NOT USE this Unit if the plug, the power cable, or the appliance itself is damaged in any way.
- DO NOT PLACE The Unit on stove top surfaces.
- DO NOT USE outdoors.
- Always unplug the appliance after use.
- Let the appliance cool for approximately
- 30 mins. before handling, cleaning, or storing.
- If the supply cord is damaged, it must be replaced by the manufacturer, its service agent or similarly qualified persons in order to avoid a hazard.
- Keep the appliance and its cord out of reach of children less than 8 years old.
- KEEP THE POWER CORD AWAY from hot surfaces. DO NOT PLUG in the Power Cable or operate the Unit controls with wet hands.
- The appliances are not intended to be operated by means of an external timer or separate remote-control system.
- NEVER USE this appliance with an extension cord of any kind.
- DO NOT OPERATE the appliance on or near combustible materials, such as tablecloths and curtains.
- DO NOT USE the Smokeless Grill for any purpose other than described in this manual.
- NEVER OPERATE the appliance unattended.
- WEAR OVEN MITTS when handling hot components or touching hot surfaces.
- Should the Unit emit black smoke, UNPLUG IMMEDIATELY and wait for smoking to stop before removing oven contents.
- Always operate the appliance on a horizontal surface that is level stable, and Non combustible.
- The appliance is for household use only. It is not intended for use in commercial or retail environments.
- If the Smokeless Grill is used improperly or for professional or semiprofessional purposes or if it is not used according to the instructions in the user manual, the warranty becomes invalid and the manufacturer will not be held liable for damages.

Parts & Accessories



1. HANDLE
2. UPPER HOUSING
3. UPPER PLATE
4. LOWER PLATE
5. LOWER HOUSING
6. CONTROL KNOB
7. DRIP TRAY

NOTE: Unpack all listed contents from packaging. Contents vary by model. Please remove any clear or blue protective film on the components before use.

NOTE: Check everything carefully before use. If any part is missing or damaged, do not use this product. Please kindly send it to the service agent.

NOTE: This unit has been designed and engineered to reduce the smoke and visible vapors usually associated with grilling to a minimum.

Caution

Wait for all components to cool thoroughly after use before disassembling. Always handle hot components with oven mitts while cooking

To Use

CAUTION: Do not use this product to cook or defrost frozen food. All food must be completely defrosted before cooking it with this product.

NOTE: *During the initial uses of this product, it may produce some smoke. This is normal and will subside with further use.*

1. Before using this product for the first time, clean it as described in the “Care and Maintenance” section.
2. Open the unit by pulling the Handle up.
3. Close the Plates and turn the unit on by plugging it into a standard electrical outlet. Verify that the Power Indicator Light illuminates in Red.
WARNING: The Cooking Plates will become extremely hot when in use. To avoid a burn hazard, wear heat resistant mitts or gloves and touch only the black portion of the Handle.
4. After the unit preheats for approximately five minutes, the Ready Indicator Light will illuminate in green, indicating the product is ready for use.



5. Use the Handle to lift the Upper Plate. Place food on the Lower Plate using wooden or plastic heat-resistant utensils.
CAUTION: Do not use metal utensils on this product, as they will scratch and damage the Plates' non-stick coating.
6. Use the Handle to lower and rest the Upper Plate on top of the food.
NOTES:
 - *The cooking time for different foods depends on the type and thickness of the foods.*
 - *Foods should be cooked thoroughly before consumption.*
7. When the food is cooked as desired, lift the Handle to open the Plates, then remove the food using the utensils. If more cooking will be done at this time, close the Plates to conserve heat.
8. Repeat Steps 7-9 until all cooking is complete, reapplying cooking oil as necessary.
9. Turn off the product by unplugging the Power Cord from the electrical outlet.
10. When the unit has completely cooled, clean and dry it.
11. When the unit has completely cooled, press the release buttons, then lift the cooking plates up and move them backwards, clean and dry it

Cleaning

- Before cleaning, unplug and wait for the appliance and the plates to cool down.
- Wipe the outside with only a slightly moistened cloth ensuring that no moisture, oil or grease enters the cooling slots.
- Do not clean the inside or outside with any abrasive scouring pad or steel wool as this will damage the finish.
- Do not immerse in water or any other liquid.

Correct Disposal of this product



This marking indicates that this product should not be disposed with other household wastes throughout the EU. To prevent possible harm to the environment or human health from uncontrolled waste disposal, recycle it responsibly to promote the sustainable reuse of material resources. To return your used device, please use the return and collection systems or contact the retailer where the product was purchased. They can take this product for environmental safe recycling.

Cooking Chart

Food Item	Time	Internal Temperature	It's Done When
Fish	12–15 mins. (1-in. thick)	70° C	Opaque/Flaky Texture
Shrimp	2–4 mins. (per side)	70° C	Opaque & Red Edges
Chicken Drumsticks	30–45 mins.	80° C	Juice Runs Clear
Chicken Wings	20–25 mins.	80° C	Juice Runs Clear
Kebabs	12–15 mins.	-	Your Preference
Steak	3–9 mins. (per side)	60° C–75° C	Your Preference
Pork Chops	20–25 mins.	70° C	No Pink Meat
Burgers	10–15 mins.	70° C	Your Preference
Sausages	15–25 mins.	70° C	No Pink Meat
Bacon	1–2 mins. (per side)	NA	Crispy



- Use a meat thermometer to check internal meat temperature.
- Cooking times are suggested and will vary depending on the thickness of the food and personal preferences. Foods can be grilled at maximum temperature. However you may wish to reduce the temperature for certain items. Low temperatures will keep foods warm once cooked.

SERVICE & IMPORTANT NOTICE

- If the supply cord is damaged, it must be replaced by a special cord or assembly available from the manufacturer or its service agent.
- **WARNING:** This appliance is not intended for use by persons (including children) with reduced physical, sensory or mental capabilities, or lack of experience and knowledge, unless they have been given supervision or instruction concerning use of the appliance by a person responsible for their safety.

IMPORTED BY NATIONAL ELECTRICAL TRADERS