

3. The electric grill can't use other types of thermostat.

Handle and Drip tray

1. Clean the handle and drip tray after use.

Warning

1. Be careful during use the appliance, since the surface is very hot.
2. Only use the appropriate thermostat.
3. After use, switch off the thermostat.
4. The appliance is not intended by the person (including children) with reduced physical, sensory or mental capabilities, or lack of experience and knowledge, unless they have been given supervision or instruction concerning use of the appliance by a person responsible for their safety.
5. Children should be supervised to ensure that they do not play with the BBQ.
6. The appliances are not intended to operate by means of an external timer or separate remote-control system

SERVICE & IMPORTANT NOTICE

- If the supply cord is damaged, it must be replaced by a special cord or assembly available from the manufacturer or its service agent.
- **WARNING:** This appliance is not intended for use by persons (including children) with reduced physical, sensory or mental capabilities, or lack of experience and knowledge, unless they have been given supervision or instruction concerning use of the appliance by a person responsible for their safety.

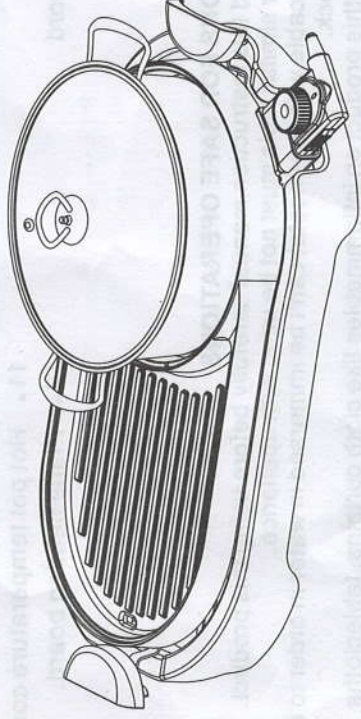


ELECTRIC BBQ GRILL & STEAM BOAT

MODEL: BBQ 5930

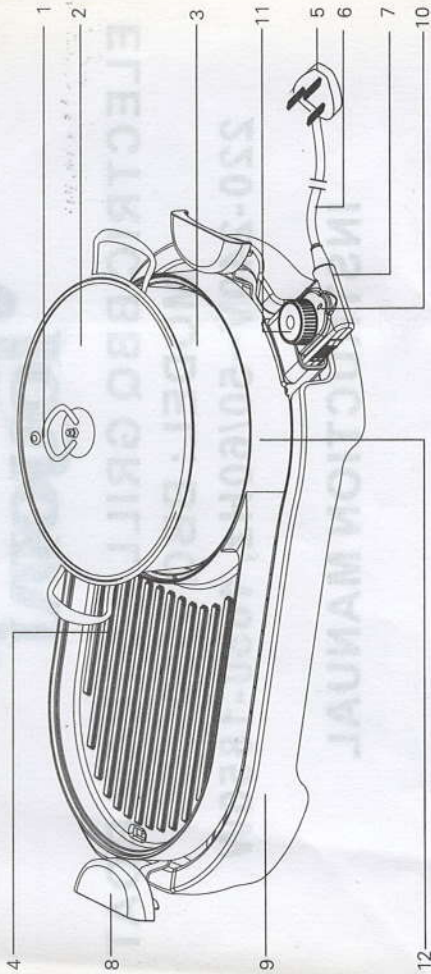
220-240V~50/60HZ, 1650-1850W

INSTRUCTION MANUAL



Thank you for purchase of Toyomi electric hot pot,
Please read the manual carefully before use and save them for future reference

COMPONENT



1. Cover handle
2. Glass cover
3. Stainless steel inner pot
4. Fry pan(BBQ Grill) heating element
5. Plug
6. Power cord
7. Fry pan switch
8. Housing handle
9. Housing
10. Heating lamp
11. Hot pot temperature controller
12. Plane heating board.

INSTRUCTIONS FOR SAFE OPERATIONS

1. Please read this instruction manual carefully before using this product.
2. Charcoal or similar fuels must not be used with appliance.
3. The power cable with thermostat can't be immersed in water in order to avoid electric shock.
4. Do not use this product on inflammables like cloth curtains, tablecloths, carpet, etc.
5. Do not touch the grill plate when the product is still using or its temperature is still very high.
6. If any malfunction for the thermostat, it must be repaired by the manufacturer, the servicing department of the agents or similar technicians.
7. Be sure to unplug when clean the surface of the grill plate.
8. The appliance connector must be removed before the appliance is cleaned and make sure the appliance inlet must be dried before the appliance is used again.
9. Only the connector provided by the manufacturer can be used.

Pot

1. The pot can be used to braise-soup or stewing food.
2. Maximum capacity for the pot is 3.5 liter
3. When using the pot, please observe the status of soup or food in the boiler at any moment for fear food spill out.
4. Please don't touch the surface when using the pot, you can use the handle.
5. Before using this product, be sure that the pot is placed properly on the plane heating board.

Operation of the thermostat

1. Turn the Temperature-Controller button to "off", and insert it in the plug socket.
2. Insert the power plug in the outlet.

Temperature Setting

1. According to cooking requirements, adjust the temperature to the set level and the indicator light will turn on.
 2. Instructions for Cooking
 - 2.1 After power being on for 3-4 minutes, the temperature will reach the appropriate level and the indicator lamp will turn off automatically. Pour some edible oil on the grill plate, then cook the food.
 - 2.2 If you want to preserve the heat of food, turn the Temperature-Controller button to heat preservation. Long-term heat preservation will not keep the food fresh.
 - 2.3 When in operation, you may hear a slight sound, which means the product is in use, this does not indicate problem with the product.
 - 2.4 Notice: Do not use a metal scoop to scratch the surface of grill plate. The food that can be cooked on the grill plate includes beefsteak, hamburger, roast meat, etc.
- When the meat, beefsteak or hamburger is gilled, the extra oil will flow into the drip tray, which will result in healthier and more delicious food.

After Use

1. Turn the Temperature-Controller button to "off".
2. Do not touch the product, as it is still hot after use.
3. Unplug the power plug from the socket outlet

Cleaning and Maintenance

Grill plate

1. Before cleaning the grill plate, make sure that the grill plate has been cooled enough.
2. Clean the grill plate after each use and be sure to remove the plug to avoid scalding
3. Use paper towel or a dishcloth to wipe off excess mess.

Thermostat

1. The thermostat must be cleaned with a dry cloth.
2. The thermostat is not allowed to immerse in water.