

# CWTF-DV-TC

17.9" x 18.5" x 9.0"  
(45.5cm x 47.0cm x 22.9cm)



- Models are space saving 9" wide (22.9cm)
- Accepts thermal carafe up to 8.5" (21.6 cm) tall
- All stainless steel construction
- Hot water faucet
- Pourover brewer requires no plumbing – completely portable
- SplashGard® funnel deflects hot liquids away from the hand
- Use in quick turn environments where high quality coffee is continuously refreshed

 Servers and airpots sold separately

Agency:



## Specifications

**Product #:** 23001.0069

**Water Access:** Plumbed

**Finish:** Stainless

**Funnel:** Black Plastic

**Faucet:** Upper

## Additional Features

## Electrical & Capacity

Volts	Amps	Watts	Cord Attached	Plug Type	8oz cups/hr 236ml cups/hr	Input H <sub>2</sub> O Temp.	Phase	# Wires plus Ground	Hertz
120	11.4	1370	No	-	-	60°F (15.5°C)	1	2	60
120/208	11	2750	-	N/A	960	60°F (15.5°C)	-	-	-
120/240	13	3170	-	N/A	960	60°F (15.5°C)	-	-	-

## Plumbing Requirements

PSI	kPa	Fitting Supplied	Water Flow Required (GPM)
20-90	138-621	1/4" Male Flare Fitting	-

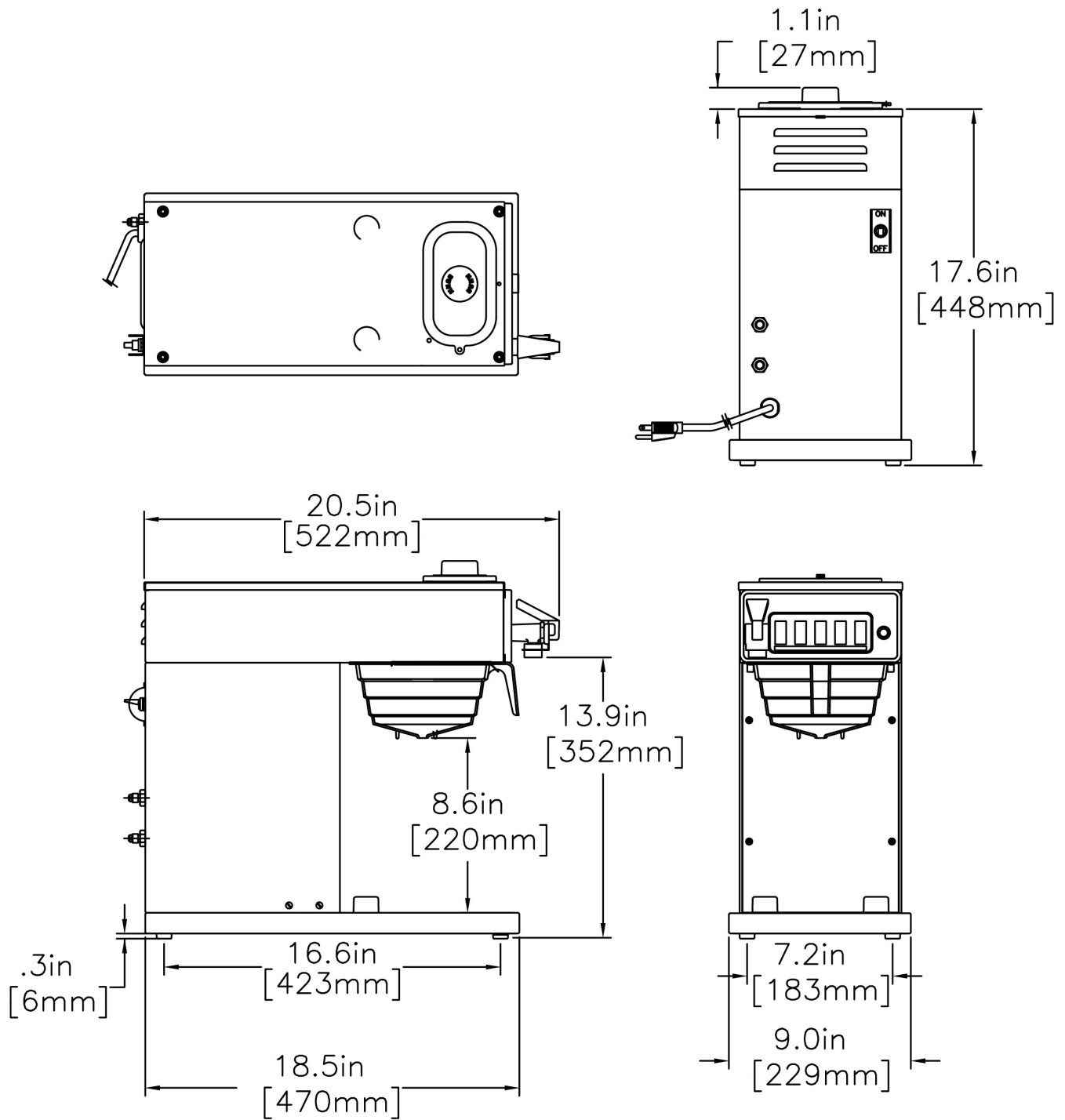
## CAD Drawings

2D	Revit	KLC
●		



BUNN® reserves the right to change specifications and product design without notice. Such revisions do not entitle the buyer to corresponding changes, improvements, additions or replacements for previously purchased equipment. For most current specifications and other info visit [bunn.com](http://bunn.com).

Created on:  
01/25/2016



	Unit			Shipping				
	Width	Height	Depth	Width	Height	Depth	Weight	Volume
English	9.0 in.	17.9 in.	18.5 in.	-	-	-	33.357 lbs	4.581 ft <sup>3</sup>
Metric	22.9 cm	45.5 cm	47.0 cm	-	-	-	15.131 kgs	0.130 m <sup>3</sup>



BUNN® reserves the right to change specifications and product design without notice. Such revisions do not entitle the buyer to corresponding changes, improvements, additions or replacements for previously purchased equipment. For most current specifications and other info visit [bunn.com](http://bunn.com).

Created on:  
01/25/2016

Related Products & Accessories: CWTF-DV-TC(23001.0069)



FILTERS,REGULAR1M  
500/2 50/CL

Product #: 20115.0000



FUNNEL W/DECALS,  
BLACK PLASTIC

Product #: 20583.0003



WATER FILTER  
SYSTEM, EQ-17-TL

Product #: 30200.1000



BUNN® reserves the right to change specifications and product design without notice. Such revisions do not entitle the buyer to corresponding changes, improvements, additions or replacements for previously purchased equipment. For most current specifications and other info visit [bunn.com](http://bunn.com).

Created on:  
01/25/2016

# Serving & Holding Options: CWTF-DV-TC(23001.0069)



THERMAL CARAFE, BLK  
1.9L 12PK

Product #:36029.0000



THERMAL CARAFE, BLK  
1.9L 1PK

Product #:36029.0001



THERMAL CARAFE, ORN  
1.9L 12PK

Product #:36252.0000



THERMAL CARAFE, ORN  
1.9L 1PK

Product #:36252.0001



CARAFE, SST 1.9L SHRT  
BLK 1/

Product #:40163.0000



CARAFE, SST 1.9L SHRT  
ORN 1/

Product #:40163.0001



CARAFE, SST 1.9L SHRT  
BLK 12/

Product #:40163.0100



CARAFE, SST 1.9L SHRT  
ORN 12/

Product #:40163.0101



BUNN® reserves the right to change specifications and product design without notice. Such revisions do not entitle the buyer to corresponding changes, improvements, additions or replacements for previously purchased equipment. For most current specifications and other info visit [bunn.com](http://bunn.com).

Created on:  
01/25/2016