



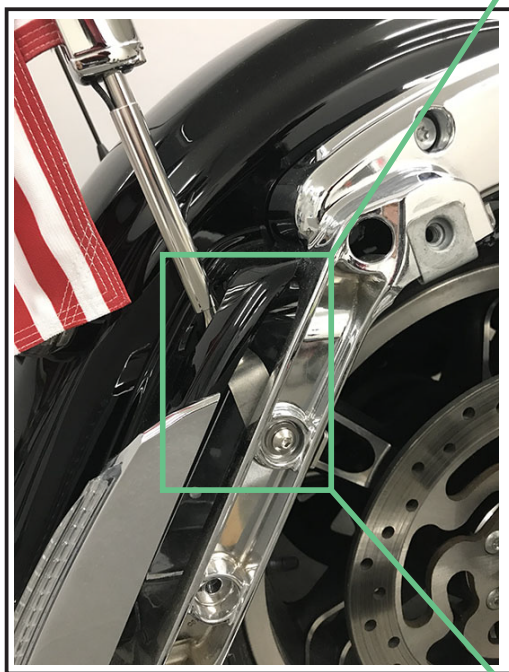
CIRO ANTENNA FLAG MOUNT

Parts Included:	1	BRACKET
	1	HARDWARE KIT

INSTALLATION INSTRUCTIONS:

- 1) Position mounting bracket on fender strut as shown. (FIG.1)
- 2) Secure mounting bracket with button head cap screw, washers, and locknut. (FIG.2)
- 3) Install 1/4-20 socket head cap screw with washers through mounting bracket into bottom hole of flag pole (sold separately). Be sure to use a quality liquid thread locker. (FIG.2)
- 4) Tighten fasteners to 12 ft.-lbs.
- 5) Route and secure wires as needed.
- 6) Refer to instructions included with flag for making final wiring connections.

FIG.1



WARNING:

This indication alerts you to the fact that ignoring the contents described herein can result in potential serious injury or death if not followed.

CAUTION:

This indication alerts you to the fact that ignoring the contents described herein can or will result in material damage and/or personal injury.

ATTENTION:

This indication alerts you to the fact if you ignore this detail you will affect the performance or functionality of the product.

All Ciro products are designed for "easy assembly" and/or "plug and play". We recommend a competent mechanic install our products, using standard mechanical procedures to assure a safe and successful installation.

NOTE:

Ciro® warrants that products sold hereunder to the original purchaser, if maintained and operated under normal conditions, shall be free from any defects in materials and workmanship for a period of (3) years from date of purchase, and a lifetime warranty against LED failure.

Ciro will have no obligation if the customer cannot show proof of purchase.

Warranty will not be granted unless the part is properly installed and maintained.

Ciro will not be liable for any consequential and incidental damages, including labor, or non-Ciro products.

Please visit our website Ciro3d.com for our complete warranty policy.

