

SERIES 400

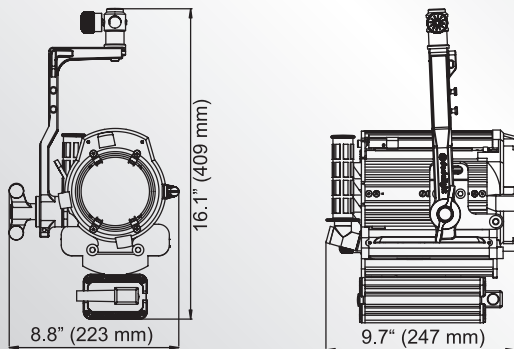


DLH400DT Daylight Light Head

A fixture for single ended 400W daylight metal halide lamps with unrivaled focusing range and unequalled light quality. Can be operated at 575 W with the same lamp when used in conjunction with the dedolight DEB400DT electronic ballast. Matches optical design of the DP400 projection attachment for flawless performance.

Technical Data: DLH400DT

Focus Angle: 50°-4.5°
 Focus Intensity: 1 : 20
 Focus Scale: Indicates current angle of beam
 Weight: 4400 g (9.7 lbs)
 Lamp: DL400DHR-NB 400W daylight single ended, Hot Restrike
 Cable: DPOW400DT, 7 m (23')
 Mounting: 16 mm (5/8") receptacle and 28 mm (1 1/8") stud
 Safety: Safety switch prevents operation when access door is open
 UV: Extremely low UV emission
 ON/OFF: On/Off push buttons located on both head and ballast for ease of operation



DEB400DT Flicker Free Ballast

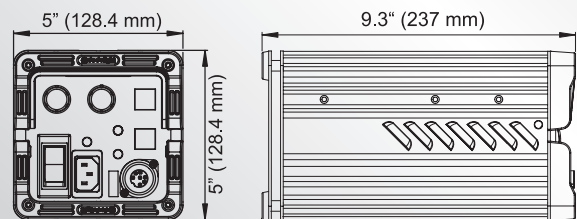
Utilizing the latest technology, the DEB400DT electronic flicker free ballast was designed to power the DLH400DT, the dedoPAR and the DLH400SDT.

Light weight yet rugged, small yet powerful with every conceivable feature you would want.

- Dimmable (40%)
- Boost position for added light output (575W)
- Active power factor correction
- Auto start mode on request
- Over voltage, overload, overheat and short circuit protection
- Automatic input voltage adjustment from 90- 260 V AC

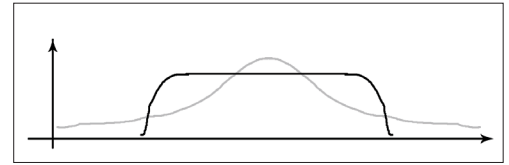
Technical Data: DEB400DT

Weight: 3400 g (7.5 lbs)
 Wattage: 400/575 W
 Input voltage: Automatic sensing 90- 260V AC
 Mounting: May be attached to light stand using DEB400H ballast holder (not included)
 Safety: Over voltage, overload, overheat and short circuit protection
 Indicators: Three LED status indicators (ready, lamp, heat)
 Dimming range: 40%



PHOTOMETRICS

When comparing photometric data of different manufacturers, it should be noted that practically all other lights have a bell shaped light distribution curve (hot spots in the center), while dedolight lighting fixtures show an equal intensity over the entire lit area. Photometric data usually defines intensity at the center of the beam. Other comparable light sources of higher wattages may appear to have a higher output in flood position, yet the dedolights edge to edge output will actually be more. In spot position, the dedolight will easily exceed the center intensity of other lights that have drastically higher wattage ratings.



Series 400: DLH400DT, DLH650, DLH436

Distance	Meter	1	2	3	5	10	15	20
	Feet	3.3'	6.6'	9.8'	16.4'	32.8'	49.2'	65.6'

Lamp: 400 W at 575 W Boost (Daylight, 5500 K)										
DLH400DT	Flood 50°	Lit Diameter	Meter	0.93	1.8	2.8	4.7	9.3	14	18.6
			Feet	3'	5.9'	9.2'	13.8'	27.8'	41.7'	61'
		Intensity	Lux	18900	4725	2100	756	189	84	47
			Foot - Candle	1557	439	195	70	18	8	4.4
	Med 13°	Lit Diameter	Meter	0.23	0.46	0.68	1.1	2.3	3.4	4.6
			Feet	0.75'	1.5'	2.2'	3.6'	7.5'	11'	15'
		Intensity	Lux	118000	29502	13112	4720	1180	525	295
			Foot - Candle	10966	2742	1219	439	110	49	27
	Spot 4.5°	Lit Diameter	Meter	0.1	0.17	0.26	0.44	0.87	1.3	1.7
			Feet	0.3'	0.56'	0.9'	1.4'	2.9'	4.3'	5.6'
		Intensity	Lux	371700	92925	41300	14868	3717	1652	929
			Foot - Candle	34545	8636	3838	1382	346	154	86

Lamp: 650 W at 230 V (Tungsten, 3200 K)										
DLH650	Flood 56°	Lit Diameter	Meter	1.1	2.1	3.2	5.3	10.6	16	21
			Feet	3.6'	6.9'	10.5'	17'	34'	52'	68'
		Intensity	Lux	8200	2430	1080	380	95	43	24
			Foot - Candle	762	226	100	35	8.8	4	2.3
	Med 14°	Lit Diameter	Meter	0.25	0.5	0.75	1.2	2.5	3.7	5
			Feet	0.8'	1.6'	2.5'	3.9'	8.2'	12'	16.4'
		Intensity	Lux	21650	5800	2650	950	238	106	59
			Foot - Candle	2012	539	246	88	22	9.8	5.5
	Spot 8°	Lit Diameter	Meter	0.15	0.27	0.42	0.7	1.4	2	2.8
			Feet	0.5'	0.9'	1.4'	2.3'	4.6'	6.5'	9.2'
		Intensity	Lux	96000	25320	13700	4932	1233	548	300
			Foot - Candle	8921	2353	1273	458	115	51	28

Lamp: 400 W at 36 V (Tungsten, 3400 K)										
DLH436	Flood 56°	Lit Diameter	Meter	1.1	2.1	3.2	5.3	10.6	16	21
			Feet	3.6'	6.9'	10.5'	17'	34'	52'	68'
		Intensity	Lux	8524	2172	1010	353	88	40	23
			Foot - Candle	792	202	94	32.8	8.2	3.8	2
	Med 18°	Lit Diameter	Meter	0.32	0.63	0.95	1.6	3.2	4.7	6.3
			Feet	1'	2'	3.1'	5.2'	10.4'	15.4'	20.5'
		Intensity	Lux	40680	10170	4520	1300	356	150	89
			Foot - Candle	3781	945	420	121	33	13	8.3
	Spot 5.5°	Lit Diameter	Meter	0.1	0.2	0.3	0.5	1	1.5	2
			Feet	0.3'	0.66'	1'	1.6'	3.3'	5'	6.6'
		Intensity	Lux	93430	23350	16000	5660	1440	640	360
			Foot - Candle	8683	2170	1486	526	134	59	33