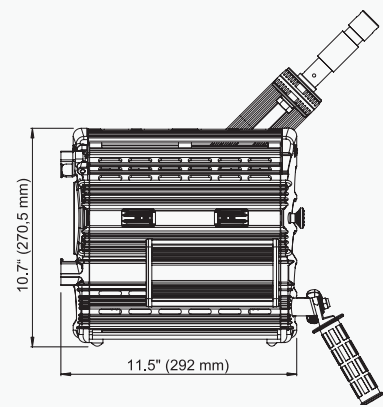
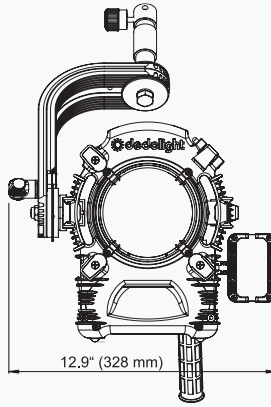


THE NEW 1200 W DAYLIGHT-SYSTEM

Many years of experience culminate in this new concept. Double aspheric optics and zoom focus. These concepts are patented and have been twice recognized by the Oscar Committee of The Academy of Motion Picture Arts and Sciences.

DLH1200D, DLH1000T



FOCUSING LIGHT HEAD: DLH1200D

Focus Range	1:18 with aspheric wide-angle attachment: 1:50
Lamp	DL1200DHR, 1200W, single ended hot restrike, G22.
Mounting	16 mm (5/8") receptacle and 28 mm (1 1/8") stud
Safety	Safety switch prevents operation when access door is open
ON / OFF:	On / Off buttons located on both, head and ballast, for ease of operation
UV	Extremely low UV emission
Weight	10.5 kg / 23 lb
Size	W: 12.9" (328 mm) L (flood): 11.5" (292 mm) L (spot): 11.5" (292 mm) H: 10.7" (270.5 mm)

- Higher light yield
- Higher focusability
- Perfect light and color distribution
- Highly efficient convection cooling
- Rainproof
- Super service friendly
- Flips open like a book – easy access
- Extremely low UV values, approx. 1/20 of the value shown by other lights

Hard Case DCHD1200

Size: 71 x 37 x 43 cm (2.3' x 1.2' x 1.4')
Weight: 14.5 kg / 32 lbs



DLH1200D Focusing Light Head. Daylight 5600K

Distance	Meter	1	2	3	5	10	15
	Feet	3'	6'	9'	15'	30'	45'
Flood	Lux	62,100	15,525	6,900	2,484	621	276
	Foot Candle	5,771	1,443	641	231	58	26
Medium	Lux	366,183	91,546	40,687	14,647	3,662	1,627
	Foot Candle	34,032	8,508	3,781	1,361	340	151
Spot	Lux	783,000	195,750	87,000	31,320	7,830	3,480
	Foot Candle	72,770	18,192	8,086	2,911	728	323

DLH1000T Focusing Light Head. Tungsten 3200K

Distance	Meter	1	2	3	5	10	15
	Feet	3'	6'	9'	15'	30'	45'
Flood	Lux	14,670	3,668	1,630	587	147	65
	Foot Candle	1,363	341	152	55	14	6
Medium	Lux	36,675	9,170	4,075	1,468	368	163
	Foot Candle	3,408	852	379	136	34	15
Spot	Lux	156,150	39,038	17,350	6,246	1,562	694
	Foot Candle	14,512	3,628	1,612	580	145	65

DEB1200D THE ELECTRONIC BALLAST



DEB1200D Electronic Ballast

- Leading edge technology
- Low heat dissipation
- Silent ventilator remains off during normal operation and operates under high heat conditions only
- Active power factor correction (PFC)
- Funktional range from 90-264V AC
- Overload protection
- Surge protection
- Short circuit protection
- Auto start function
- DMX control is standard
- Rainproof construction
- The ballast can be opened within 30 seconds – like a book
- Full access to all elements and electronics

DPOW1200D Cable

Connection cable between light head and ballast

Technical Data: DEB1200D Electronic Ballast

The frequency to operate the lamp is switchable from normal flicker-free function to 1000Hz for high-speed recordings

Weight:
11.4 kg

Output Power:
1200 W

Input Voltage:
90-264V AC *

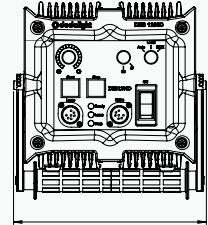
Indicators:
3 Status-LEDs (Ready, Lamp, Heat)

Dimming Range:
50-100%

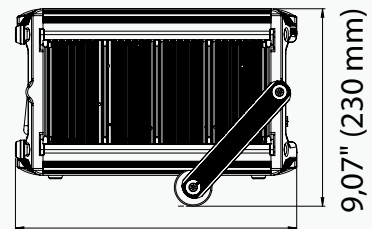
DMX-Control
DMX control and auto start mode can be chosen.

Stand mounting optional with double-holding clamp: DEB1200H

**) functional range including tolerances*



9" (225 mm)



12,95" (328 mm)

9,07" (230 mm)

THE TUNGSTEN-EDITION OF THE NEW SERIES 1200



DLH1000T

A mains operated light with unrivaled focusing range and superior light quality. Can be used with 1 kW halogen lamp, G22 socket. Further G22 lamps upon request.

DLH1000TPO

Pole operated version for studio applications



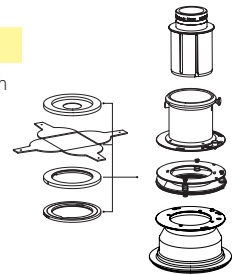
DLH1000T-DMX

DLH1000TPO-DMX

with DMX controlled integrated dimming

DP1200KU

Complete imager with universal module for Series 1200 light heads. 150 mm projection lens, gobo holder and gobo set included.



Optional inserts:
Glass gobo holder, iris, loosen framing shutter blades

DP1200KFS

Complete imager with framing shutter blade module for Series 1200 light heads. 150 mm projection lens included.



DP1200CON - WA

Condensor for special wide-angle lenses 70 mm and 100 mm with special versions of framing shutter and universal modules.