



PRECISION LIGHTING INSTRUMENTS

DLED10-D – DAYLIGHT OUR NEW FLAGSHIP



The DLED10 lights are extremely powerful compact and versatile.

See separate product information for bicolor version.



DLED10-D - Daylight Light Head

The DLED10-D works with a 300W daylight light source and offers even higher light output than DLED10-BI bicolor version.

Ideally suited for the larger lighting task, also for mobile drama production, as well as for studios.

DT10 - Daylight Ballast

Autoranging: 90 - 264 V AC

Continuous Dimming: 100% - 0%

Color temperature: 5600 K

Stand mounting accessory (option)

SETDLED10-D – SET

incl.:

- **DLED10-D** Light head daylight
- **DT10** Ballast daylight and mains cable
- **DPOW10** Cable to light head
- **DPLS400** Light shield ring
- **DBD400** 8-leaf barn door

Option:

- **DEB400H** stand mounting accessory

These totally new dedolight LED lights offer:

- **Compact construction**
- **Aspherical optics**
- **Perfect performance**
- **Perfect light distribution**
- **Perfect color**
- **Super quiet, innovative cooling system**

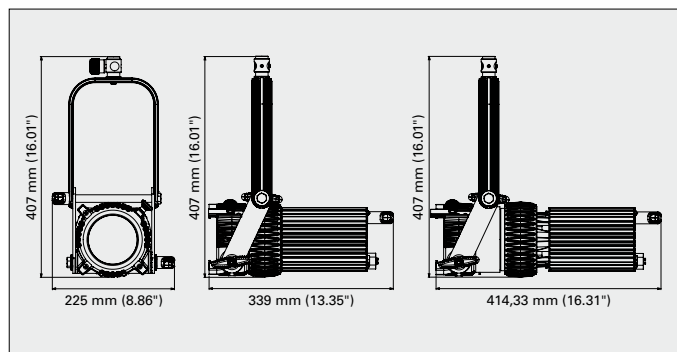
Permits the use of the following optical accessories:

- Non-spherical, wide-angle attachment DLWA400R
- DP400 imager / projection attachment with interchangeable modules for different tasks and interchangeable lenses
Serves super precise light-/shadow-shaping and projections, the best, west and east of the Mississippi
- 8-leaf barn door DBD400
- Use of different soft boxes with speed ring DLSR8
- Parallel beam attachment DPBA-14. An amazing optical achievement, doubles the light output and opens the doors to the creative Lightstream system and the work with reflected light.

See separate dedolight Lightstream brochure.



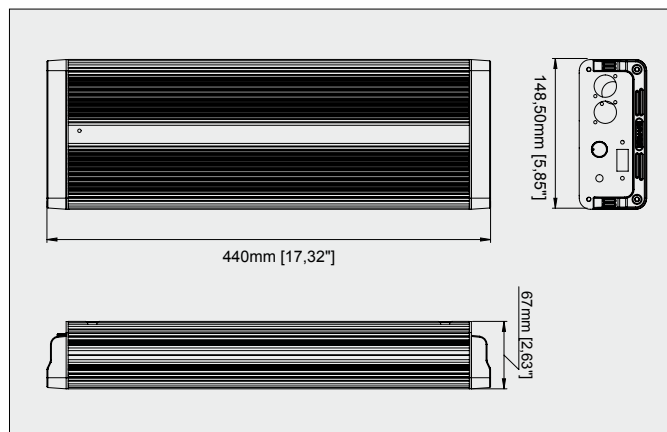
Technical Data: DLED10-D



Focusing range (with wide-angle attachment)	50° - 4° (75° - 44°)
Intensity range	1 : 6,6
Power consumption	308 W
Color temperature	5600 K
Focus control	1 ¾ turns on focus ring
Mounting	16 mm (5/8 ") receptacle and 28 mm (1 1/8 ") stud
Operating position	Any
Tilt control	Tilt pivot on right side of light head
Accessory slot	Ø 129 mm (5.1") diameter
Cooling	Extremely quiet hightec cooling system
Safety	IP20
Size	389 x 198 x 356 mm (15.3 x 7.8 x 14")
Weight	4,2 kg (9.3 lbs)

CRI Ra	95
CRI Re	94
TLCI	96
Delta UV	-0.0017
Lux in 3 m flood position	1,900 lx
Lux in 3 m spot position	12,500 lx
Lux in 3 m with parallel beam attachment DPBA-14	20,000 lx

Technical Data: DT10



Input voltage	90 V - 264 V
Output voltage	max. 48 V
Watt	320 W
Dimming range	100 - 0 %
Control	Dimming knob, DMX control
Safety	SELV, Protection Class I, IP20
Input cable	DCAB3A-SW = 5 m (16.4')
Cable to light head	separate: DPOW10 = 7 m (23')
Mounting	Cable loop, option: stand mounting DEB400H (incl. CLAMP-D)
Size	440 x 148,5 x 67 mm (17.3 x 5.8 x 2.6")
Weight	5,2 kg (11.5 lbs)



DLED10-D Daylight

Distance	Meter	1	2	3	4	5	10
Flood	Lux	17,100	4,275	1,900	1,068	684	171
Medium	Lux	22,230	5,558	2,470	1,389	889	222
Spot	Lux	112,500	28,125	12,500	7,031	4,500	1,125



Dedo Weigert Film GmbH

Karl-Weinmair-Straße 10
D-80807 Munich, Germany

Phone: +49-(0)89 - 356 16 01
Fax: +49-(0)89 - 356 60 86

info@dedoweigertfilm.de
www.dedoweigertfilm.de