



INTRODUCING THE

 **dedolight**[®]

PRECISION LIGHTING INSTRUMENTS

FOCUSING LED LIGHTS

TURBO SERIES
(THE WHISPER LIGHT)

ENGLISH 03/2018

INTRODUCING THE TURBO SERIES OF DEDOLIGHT FOCUSING LED LIGHTS

NEW CONFIGURATION,
SMALL FIXTURE,
HIGH OUTPUT.
SUPER SILENT
ACTIVE COOLING.
IDEAL FOR
THE SMALL TEAM.



The actual light sources have now nearly doubled in performance in a housing similar to our DLED4 (40W unit), but now operated with 2x90W in the bicolor version.

Although these light heads provide significantly higher light output, and in spite of the added cooling devices, the weight of these light heads is still identical with the original DLED4, 40W light head.



Only the ballast has grown somewhat, to accommodate the increased power. Alternative power supplies still allow battery operation.

The bicolor versions are continuously adjustable from 2700K all the way to 6500K. Pure monochrome versions in daylight or tungsten are also available.

The noise level of the whisper cooling will surprise you – even under the most critical conditions.

Kits can include soft boxes, imager/projection attachments. Complete 3-light-kits (DLED7) with plenty of accessories are still light enough for checked-in baggage on flights, packed in super sturdy cases with wheels and pull-out handle.



DEDOLIGHT DLED TURBO SERIES DLED7

SMALL PACKAGE, DRASTICALLY ENHANCED OUTPUT ACTIVE COOLING – SILENT

Basic size is identical to the now very well accepted DLED4. Small, compact, elegant focusing, robust with double helical focusing mechanism. Now including a very quiet active cooling system enabling the use of much higher wattage LED light sources. Provides drastically enhanced light output. See comparison of the photometrics.

- Available in monochrome versions as daylight or tungsten.
- Also available as bicolor, tunable 2700K to over 6500K.
- Available with DMX as pole-operated versions (optional).

One of the most desirable, fully portable, very capable lighting packages for the small team with all the known dedolight advantages plus optional battery operation. For interview lighting, such small lights, when used as key or fill light, may possibly be regarded as relatively aggressive because of the drastically enhanced output. The use of the optional soft box turns it into a beautiful, gentle light source with a much larger area for pleasing lighting and still sufficient output to cover most everyday situations.

Works perfectly with the third DLED7 light as a highly focusable and tunable back light or accent light.

For delicate and moody background projection. When such background projections are lifted slightly out of focus, you can easily create the illusion of a 3-dimensional world and depth.

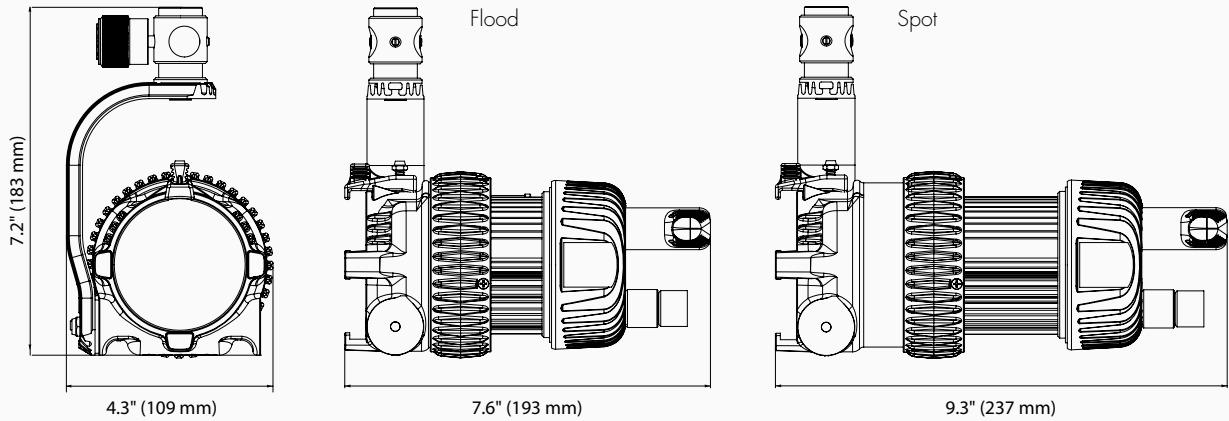
Maybe the most versatile and unique tool for professional lighting, for use in the smallest team as well as for the highest demands in big blockbuster projects.



Light Head (Focus Range)	DLED4-D (60°-4°)	DLED4-BI (D) (60°-4°)	Turbo Series		DLED9-D (50°-4°)	DLED9-BI (D) (50°-4°)	Arri 300 (55°-15°)
			DLED7-D (60°-6°)	DLED7-BI (D) (60°-8°)			
Lux Flood at 1m	1,500	1,580	2,500	2,600	5,080	5,050	4,500
Lux Spot at 1m	14,500	12,100	38,000	21,000	60,000	43,000	16,803
Power Consumption	41 W	44 W	90 W	90 W	90 W	90 W	304 W

DLED7 TURBO TECHNICAL DATA

DLED7-D, DLED7-T, DLED7-BI



FOCUSING LED LIGHT HEAD: DLED7-D, DLED7-T, DLED7-BI

Focus Range (Intensity Range)	60°- 6° (1:20) with optional aspheric wide-angle attachment: 85- 54°
Focus Control	One complete turn on focus ring
Power	Max. Power Consumption 90W Even for bicolor version, which operates, alternating between 2 x 90W light sources
Mounting	5/8" (16 mm) receptacle and 1 1/8" (28 mm) stud
Operating Position	Any
Tilt Control	Permanent friction
Accessory Holder	3" (76 mm) diameter
Safety	Protection Class III, SELV, IP20
Cooling	Active Silent Cooling
UV	No UV radiation
Weight	2.9lb (1,300g)

DLED7-D Focusing LED Light Head. Daylight approx. 5600K

Distance	Meter	1	2	3	4	5
	Feet	3'	6'	9'	12'	15'
Flood	Lux	2,500	625	278	156	100
	Foot Candle	232	58	26	15	9.3
Medium	Lux	4,675	1,169	519	292	187
	Foot Candle	435	109	48	27	17.4
Spot	Lux	38,000	9,500	4,222	2,375	1,520
	Foot Candle	3,532	883	392	221	141

DLED7-T Focusing LED Light Head. Tungsten approx. 3200K

Distance	Meter	1	2	3	4	5
	Feet	3'	6'	9'	12'	15'
Flood	Lux	2,250	563	250	141	90
	Foot Candle	209	52	23	13	8.4
Medium	Lux	4,208	1,070	476	263	168
	Foot Candle	391	99	44	24	16
Spot	Lux	31,000	7,750	3,444	1,938	1,240
	Foot Candle	2,881	720	320	180	115

DLED7-BI Focusing LED Light Head. Bicolor measured at 5600K – daylight

Color temperature continuously adjustable from 2700 – 6500K

Distance	Meter	1	2	3	4	5
	Feet	3'	6'	9'	12'	15'
Flood	Lux	2,600	650	289	163	104
	Foot Candle	243	61	27	15	9.7
Medium	Lux	4,680	1,170	520	293	187
	Foot Candle	435	109	48	27	17.4
Spot	Lux	21,000	5,250	2,333	1,313	840
	Foot Candle	1,952	488	217	122	78

Bicolor in tungsten function ~ 15% lower output

POWER OPTIONS FOR DLED7 TURBO




DT7
AC ballast for DLED7-D/DLED7-T
Turbo monocolour light head

DT7	
Size	10.35 x 2.8 x 2"
	263 x 72 x 50 mm
Weight	3.1 lbs
	1,400 g




DT7-BI
AC ballast for DLED7-BI
Turbo bicolor light head

DT7-BI	
Size	10.35 x 2.8 x 2"
	263 x 72 x 50 mm
Weight	3.1 lbs
	1,400 g



DT7-BAT-AB (monocolor)
DC ballast with D-Tap cable
for Turbo monocolour light heads.
10,8-36V DC input range.

DT7-BAT-AB	
Size	8.4 x 2.8 x 2"
	213 x 72 x 50 mm
Weight	1.3 lbs
	610 g



DT7-BI-BAT-AB (bicolor)
DC ballast with D-Tap cable for
Turbo bicolor light heads.

DT7-BI-BAT-AB	
Size	8.4 x 2.8 x 2"
	213 x 72 x 50 mm
Weight	1.4 lbs
	650 g

Battery operation (DC) with DT7-(BI)-BAT-AB

- connect DC ballast directly to:

DLBCA2-V / DLBCA2-AB
Battery holder and belt holder for V-Mount
or Anton/Bauer Gold Mount battery



- or use adapter cable:

DDTAP-XLR
Cable 65 - 130 cm (25 - 51") with
4-pin XLR connector, coiled.
Weight: 8.8 oz. (250 g)

DDTAP-CAR
Cable with 12 V cigarette
light connector
Weight: 3.4 oz. (95 g)

Other DC cables on request.

AC operation with DT7-(BI)-BAT-AB

DLP536-100
AC power supply with D-Tap
connector to operate
DT7-(BI)-BAT-AB from mains
power.

Size: 5.9 x 2.2 x 1.2"
(150 x 55 x 30 mm)

Weight: 16.9 oz. (480 g)



DDTAP-EXT5
Extension cable for power supplies
with D-Tap connector, 16.4 ft long
(5 m), Weight: 4.9 oz. (140 g)




DLED7-D/T/BI Turbo light head for mobile application with various ballast versions available (see on the left)

STUDIO OPTIONS:



DLED7SE-D
Turbo Studio Version



DLED7SE-D-PO
as Pole Operated Version



DLED7SE-D DMX
as DMX Version

DEDOLIGHT DLED3 TURBO SERIES

The smallest version, same size as the well-known DLED2, which features 20W, or as bicolor 2 x 20W, now working with a highly effective 40W or double 40W system for bicolor. Active cooling in a silent version, enabling drastically enhanced output. Complete, versatile lighting kit in a handbag format, with the full range of light-shaping and imaging capabilities.

Soft boxes, optionally available, for gentle, pleasing soft light application.

Most probably the smallest, most versatile lighting kit. Small enough to be allowed as cabin baggage.

Other, even more powerful versions of the DLED Turbo Series are still in test stage and may be introduced soon.



Comparison



DLED2

Weight: 17.5 oz. (495 g)



DT2-BAT

Weight: 4.9 oz. (140 g)



DT2-BI-BAT

Weight: 4.9 oz. (140 g)



DLED3 Turbo

Weight: 16.8 oz. (475 g)



DT3-BAT

Size: 4.5 x 2.8 x 2"
(113 x 72 x 50 mm)
Weight: 12.7 oz. (360 g)



DT3-BI-BAT

Size: 5.6 x 2.8 x 2"
(143 x 72 x 50 mm)
Weight: 12.7 oz. (460 g)

Operate DT3-(BI-)BAT from mains power (AC):



DLPS12-60

12V/60W
Size: 5.9 x 2.2 x 1.2"
(150 x 55 x 30 mm)
Weight: 11.5 oz. (325 g)



DDCC-EXT5

Extension cable for power supplies with Mini Jack connector, 16.4 ft long (5m),
Weight: 4.9 oz. (140g)

Cables for battery operation (DC):

DDCC-DTAPS

Cable 28 cm / 11" with Anton/Bauer D-Tap connector.
Weight: 1 oz. (30g),

DDCC-CAR

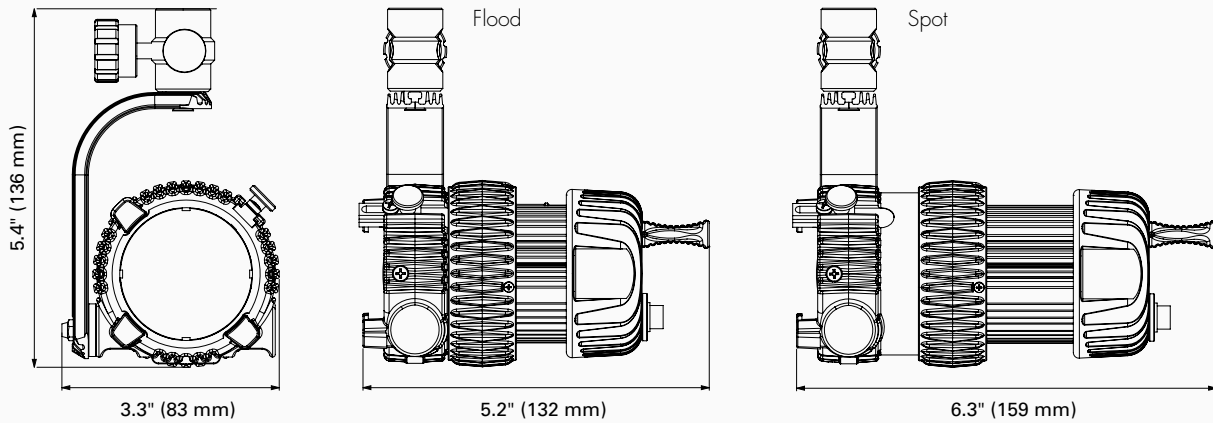
Cable, 1.8 m (6') with cigarette light connector,
Weight: 3.4 oz. (95 g),

Other DC cables on request.

Light (Focus Range)	DLED2-D (50°-5°)	DLED2-BI (D) (50°-5°)	Turbo Serie	
			DLED3-D (50°-6°)	DLED3-BI (D) (50°-8°)
Lux Flood at 1m	810	820	1,350	1,400
Lux Spot at 1m	5,250	3,350	8,100	5,000
Power Consumption	20W	20W	40W	40W
DLED3 Bicolor tungsten 18% lower output				

DLED3 TURBO TECHNICAL DATA

DLED3-D, DLED3-T, DLED3-BI



FOCUSING LED LIGHT HEAD: DLED3-D, DLED3-T, DLED3-BI

Focus Range (Intensity Range)	50°-5° (1:7)
Focus Control	3/4 turn on focus ring
Power	Max. Power Consumption 40W, even for bicolor version, alternating between two 40W light sources.
Mounting	5/8" (16mm) receptacle
Operating Position	Any
Tilt Control	Adjustable friction
Accessory Holder*	Ø 2.3" (58 mm)
Safety	Protection Class III, SELV, IP20
Cooling	Active Silent Cooling
UV	No UV radiation
Weight	1.8 lb (800g)

* for mounting the unique range of DLED3 front-end accessories

DLED3-D Focusing LED Light Head. Daylight approx. 5600K

Distance	Meter	1	2	3	4	5
	Feet	3'	6'	9'	12'	15'
Flood	Lux	1,350	338	150	84	54
	Foot Candle	126	31	14	8	5
Medium	Lux	2,511	629	279	156	100
	Foot Candle	237	58	26	15	9.3
Spot	Lux	8,100	2,025	900	506	324
	Foot Candle	753	188	84	47	30

DLED3-T Focusing LED Light Head. Tungsten approx. 3200K

Distance	Meter	1	2	3	4	5
	Feet	3'	6'	9'	12'	15'
Flood	Lux	1,170	293	130	73	47
	Foot Candle	109	27	12	7	4.4
Medium	Lux	1,942	486	216	121	78
	Foot Candle	181	45	20	11.3	7.2
Spot	Lux	4,350	1,088	483	272	174
	Foot Candle	404	101	45	25	16.2

DLED3-BI Focusing LED Light Head. Bicolor measured at 5600K – daylight

Color temperature continuously adjustable from 2700 – 6500K

Distance	Meter	1	2	3	4	5
	Feet	3'	6'	9'	12'	15'
Flood	Lux	1,400	355	160	89	58
	Foot Candle	130	33	15	8	5
Medium	Lux	2,860	883	410	221	148
	Foot Candle	266	82	38	21	14
Spot	Lux	5,000	1,310	538	328	194
	Foot Candle	465	122	50	30	18

Bicolor in tungsten function ~ 15 % lower output

TURBO KITS - DLED3 KITS

DLED3 3 LIGHT KIT – WITH SOFT CASE

■ SLT3-3-BI-S 3 Light MICRO LED Kit bicolor - STANDARD (3x DLED3 TURBO LED) AC/DC

- 3 DLED3-BI Focusing 40W TURBO LED bicolor light head
- 3 DT3-BI-BAT DC dimmable ballast for DLED3-BI TURBO LED bicolor light heads for use with batteries. Input 11 - 18V DC.
- 3 DDCC-DTAPS Cable 28 cm / 11" with Anton/Bauer connector
- 3 DBDS8 Standard 8-leaf barn door for DLED2/DLED3 light heads
- 1 DP1S Universal projection attachment/imager incl. 60mm lens for DLED2/DLED3 LED light heads. Incl .DPGHS
- 1 DPGSETS Gobo set for DP1S imagers
- 2 DSBSXS dedoflex mini soft box
- 2 DLGRIDXS Grid (40°) for mini soft box
- 2 DLSR67 Speedring for mini soft box to fit DLED2/3 LED lights
- 3 DLPS12-60 Mains power supply for DT3(BI)-BAT (A/E/G/J/U 100 - 240 V AC, please specify power connector)
- 3 DLPS12-EXT5 Extension cable for 12V power supply, 5m long
- 1 DSCS Soft case, small
- 1 SDSTM3 Stand kit with 3x DSTM, 2x DSTFX40 and DSCSTM3 soft bag

Size: 53 x 24 x 23 (20.9" x 9.5" x 9.1")
Weight: 8.4 kg (18.5 lbs)



■ SLT3-3-D-S 3 Light MICRO LED Kit daylight - STANDARD (3x DLED3 TURBO LED) AC/DC

Same as SLT3-3-BI-S, but as 40 W TURBO daylight system with DLED3-D, DT3-BAT ballasts instead of bicolor units.



■ **SLT3-3-BI-M 3 Light MICRO LED Kit
bicolor - MASTER**
(3x DLED3 TURBO LED) AC/DC

- 3 DLED3-BI Focusing 40W TURBO LED bicolor light head
- 3 DT3-BI-BAT DC dimmable ballast for DLED3-BI TURBO LED bicolor light heads for use with batteries. Input 11 - 18V DC. Cable 28 cm / 11" with Anton/Bauer connector
- 3 DDCC-DTAPS Standard 8-leaf barn door for DLED2/DLED3 light heads
- 3 DBDS8 Universal projection attachment/imager incl. 60mm lens for DLED2/DLED3 LED light heads. Incl .DPGHS
- 1 DP1S Gobo set for DP1S imagers
- 1 DPGSETS dedoflex mini soft box
- 2 DSBSXS Grid (40°) for mini soft box
- 2 DLGRIDXS Speedring for mini soft box to fit DLED2/3 LED lights
- 2 DLSR67 Mains power supply for DT3-(BI)-BAT (A / E / G / J / U. 100 - 240 V AC, please specify power connector)
- 3 DLPS12-60 Extension cable for 12V power supply, 5m long
- 3 LiTH 95 SI Batteries with internal charger
- 3 DLBCA2-V Belt adapter for V-Mount batteries with holding plate for DT3-(BI)-BAT power supplies. D-TAP power out socket
- 2 DSCS Soft case, small
- 1 SDSTM3 Stand kit with 3x DSTM, 2x DSTFX40 and DSCSTM3 soft bag

Size (2x): 53 x 24 x 23 (20.9" x 9.5" x 9.1")
 Weight (main case): 8.4 kg (18.5 lbs)
 Weight (BAT case): 5.3 kg (11.7 lbs)



■ **SLT3-3-D-M 3 Light MICRO LED Kit
daylight - MASTER**
(3x DLED3 TURBO LED) AC/DC

Same as SLT3-3-BI-M, but as 40 W TURBO daylight system with DLED3-D, DT3-BAT ballasts instead of bicolor units.



TURBO KITS - DLED7 KITS

DLED7 3 LIGHT KIT – WITH HARD CASE

■ **KLT7-3-BI** **3 Light LED Kit - bicolor** (3x DLED7 TURBO LED) AC

- | | | |
|---|-------------|---|
| 3 | DLED7-BI | dedolight focusing LED light head, bicolor |
| 3 | DT7-BI | Power supply for DLED7 bicolor LED light heads |
| 3 | DPLS | Light shield ring |
| 3 | DBD8 | Standard barn door (eight leaves) |
| 2 | DLSR70 | Speedring for CLASSIC Series and DLED4 light heads |
| 2 | DSBSXS | dedoflex mini soft box 30x30x23cm (12x12x9") |
| 2 | DLGRIDXS | Grid (40°), fits mini soft box |
| 1 | DP1..1 | Imager projection attachment |
| 1 | DPGH | Steel gobo holder (size ,M') |
| 1 | DPGSET | Gobo set (six popular steel gobos, size ,M') |
| 3 | DFH | Gel filter holder |
| 1 | DGW | Gel filter set, warm tone (fits Classic Series filter holder) |
| 1 | DGMD | Gel filter set, mixed diffusion (fits Classic Series filter holder) |
| 1 | DGCOL | Gel filter set, color effect (fits Classic Series filter holder) |
| 3 | DFX glasses | Three structur glass filters with holder
DFXT6-R / DFXT10-B / DFXT11-P |
| 2 | DPACP | Accessory pouch |
| 1 | CLAMP1 | dedolight clamp |
| 3 | DST | dedolight stands |
| 1 | DCHDW1 | Hard case with handle and wheels |

Size: 57.9 x 46.5 x 29.7 cm (22.8 x 18.3 x 11.7")
Weight: 19.90 kg (43.9 lbs)

■ **KLT7-3-D** **3 Light LED Kit - daylight** (3x DLED7 TURBO LED) AC

Same as KLT7-3-BI, but as 90 W TURBO daylight system with DLED7-D, DT7 ballasts instead of bicolor units.



SETUP



Picture shows setup with 3 DLED3 Turbo, 40W lights with integrated electronics, battery driven, background projection with DLED4 (40W), light head plus imager.



Picture printed on gel, combined with gobo (window). Identical setup, easier to perform with DLED3, otherwise identical.



Picture shows setup as described above. Background projection from printed gel image.



The dedolight DLED series has been enthusiastically received for mobile light as well as studios, due to its unique dedolight optical advantages.

Patented, non-spherical system, very special LED light sources, designed, developed and built exclusively to cooperate with the dedolight optical system, transferring all of the known dedolight precision lighting advantages.

Highest efficiency enabling battery operation.

Perfect light distribution and color quality. Bicolor version tunable from 2,700 up to 6,500 Kelvin.



Picture above shows increased depth illusion, enhanced by placing background (book shelves projection) out of focus.

Picture shows lighting setup using 11 LED lights. Showing slide projection for book shelf background. Picture should serve as illustration for lighting setup, showing different layers of depth, 3-dimensional impression, also for possible focus shift from books in foreground to 2 persons in dialogue and further to single person reading.



These pictures lit with 3 DLED7 Turbo lights, background projection from slide.



Dedo Weigert Film GmbH

Karl-Weinmair-Straße 10
D-80807 Munich, Germany

Phone: +49-(0)89 - 356 16 01
Fax: +49-(0)89 - 356 60 86
info@dedoweigertfilm.de
www.dedoweigertfilm.de