

dedolight®

PRECISION LIGHTING INSTRUMENTS



**LEDRAPTOR
BICOLOR**

04/19 English

THE SOFT FACE OF LIGHT – NEW DEFINITIONS

We are well-known for our precision lighting instruments – optical systems with unprecedented precision.

Clean beam, no stray light. Within the beam totally homogeneous without hotspots.

Optical ‚imaging‘ with razor-sharp light/shadow edges.

Projection optics which can live up to any of the most expensive camera lenses. Perfect performance, super high transmission, perfect resolution. None of the seven sins of imaging, but at an exceptional price.

Precision light AND precision shadows.

Similarly, for the creative composition of images we also need the gentle, subtle light/shadow transitions, often called soft lights.

Also in this respect we pursued perfection.

Large light-emitting surfaces with a character lovingly embracing the objects of desire – a wrap-around light.

Totally without hotspot.

LEDRAPTOR – The Concept

Our LED soft light – Panaura experience translated and refined in the LED world.

High light output, high efficiency, optimum light distribution. Slim / flat construction, also useful in hanging application in rooms with low ceilings.

Perfect color rendition, beautiful skin tones.

Dimmable continuously without any change of color quality.

Color temperature adjustable from 2700K all the way to 6500K.

These lights can be used on their own for beautiful mood lighting, very gentle and subtle, but they can also serve in combination with structured light as we offer with our focusing lights and with the entire range of reflected light – dedolight Lightstream. For such scenic lighting with a structured character the Ledraptor lights offer a gentle mix, even with fine nuances of color temperature, to create and perceive magic. Amazing moods, even in very subtle, hardly noticeable ways.

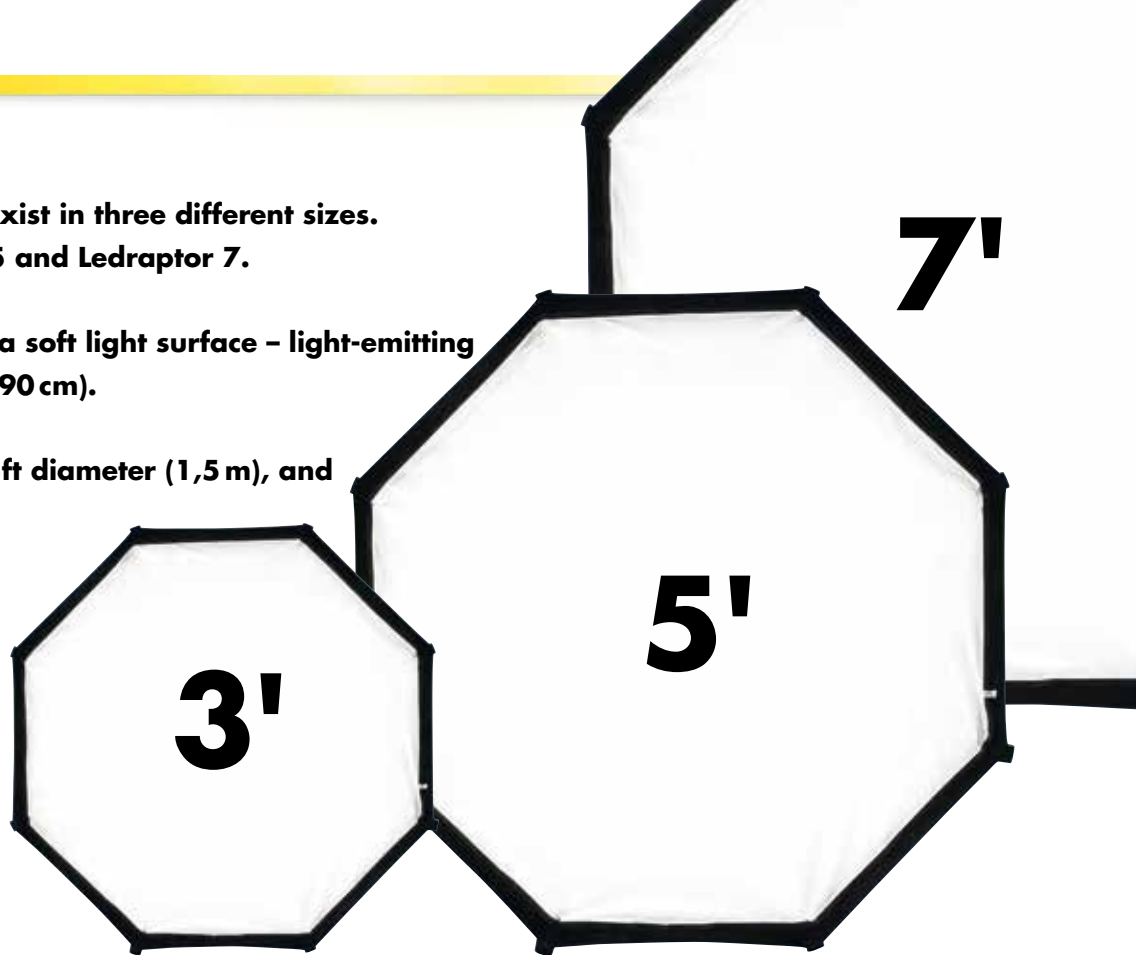


**LEDRAPTOR Soft Lights exist in three different sizes.
Ledraptor 3, Ledraptor 5 and Ledraptor 7.**

Ledraptor 3 symbolizes a soft light surface – light-emitting area with 3ft diameter (90 cm).

Ledraptor 5 stands for 5ft diameter (1,5 m), and

Ledraptor 7 is the biggest one with 7ft diameter (2,1 m).



The beauty of fine-tuning color temperature for creative moods and hues.



Ledraptor 5
shown here with
front diffuser 5ft (1.5 m) diameter.



Same light, front diffuser
removed, shows additional
large inner diffuser for absolutely
perfect, edge-to-edge, even light
distribution.

LEDRAPTOR 3 BICOLOR



tungsten + daylight = all in one

2 Light sources = 1 Light source

We talk about 2 x 220W, but we have only one light source. On this light source we have a multitude of daylight LEDs, and like on a chess board also a multitude of tungsten LEDs.

220W daylight and at the same time 220W tungsten. Allowing continuous change of color temperature from 2700K to 6500K.

All with one single button or by DMX control (even with additional adapter for wireless operation). Color quality is the best that is achievable in today's LED technology.

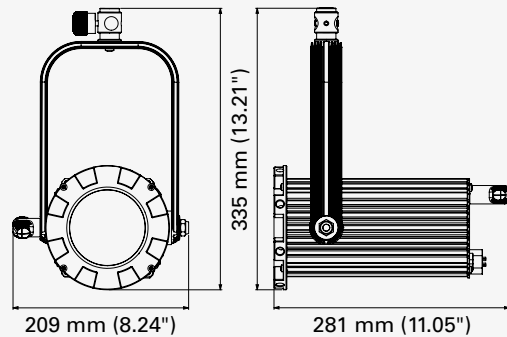


DLRAP3-BI

Ledraptor 3 LED soft light

Technical Data: DLRAP3-BI

2 x 220 W Bicolor 2700-6500K, CRIa (3200) 96, CRIa (5600) 97, TLCI (3200) 97, TLCI (5600) 96

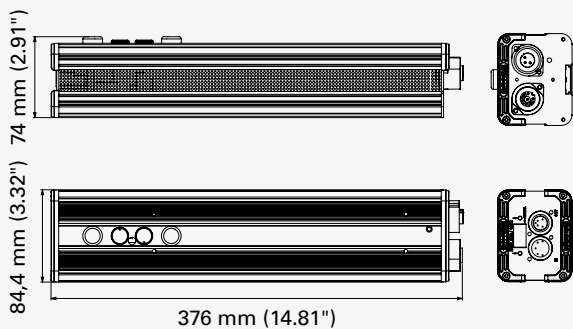


Ledraptor 3 (2x220W)	lux Front diffuser only			lux with additional inner diffuser		
	1 m	2 m	3 m	1 m	2 m	3 m
daylight	2.070	518	230	1.530	383	170
tungsten	1.710	428	190	1.287	383	143

LEDRAPTOR 3 – POWER SUPPLY

Technical Data: DT10-BI

AC 90-264V / 50-60HZ, Max. Power: 256 VA, Prof. Class: IP 20



DT10-BI

Bicolor power supply
Weight: 2,4 kg / 5.3 lb



DEB400H

Stand mounting with slide-in holder
with CLAMP-D

LEDRAPTOR 3 Set with 3ft (90 cm) textile reflector

textile reflector 3' (90 cm)



SETDLRAP3PA3-BI

Complete set consisting of:
 LEDRAPTOR LED soft light bicolor head DLRAP3-BI,
 DT10-BI power supply, DPOW10 cable, textile reflector 3' (90 cm),
 DLRAP3-P, Protection transport cover

Option:



Left image shows Ledraptor 3 without louvre/grid.
 Right side image shows the same Ledraptor 3 including louvre/grid.

DLPA3G

3ft louvre/Grid

LEDRAPTOR 3 Set with 5ft (150 cm) textile reflector

textile reflector 5' (150 cm)



SETDLRAP3PA5-BI

Complete set consisting of: Light head DLRAP3-BI, power supply DT10-BI, cable DPOW10, textile reflector 5 ft (150 cm), DLRAP3-P, Protection transport cover

Option:



DLPA5G

5ft louvre/grid

Packing Options:


for complete set Ledraptor 3 STEDLRAP3-BI



DSC3
Soft case small

DST
standard dedolight stand

for complete set Ledraptor 3 with 5 ft (150 cm) reflector and different stand



DSCPA5
Panaura® 5 soft case

DST400S
dedolight stackable stand, small

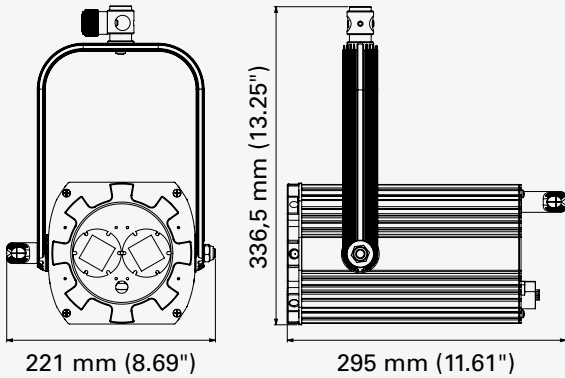
LEDRAPTOR 5 BICOLOR

Two light sources side by side,
each with 2 x 220 bicolor capability



Technical Data: DLRAP5-BI

2x 2x220W, Bicolor 2700-6500K,
CRIa (3200) 96, CRIa (5600) 97,
TLCI (3200) 97, TLCI (5600) 96



DLRAP5-BI

Ledraptor 5 LED soft light

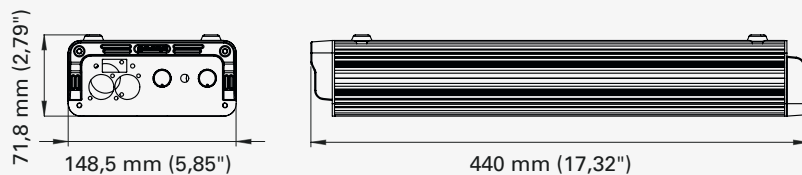
Ledraptor 5 (2x 2x220W)	lux, Front diffuser only			lux, with additional inner diffuser		
	1 m	2 m	3 m	1 m	2 m	3 m
daylight	5.355	1.339	595	4.095	1.024	455
tungsten	4.545	1.136	505	3.510	878	390

DT20-BI POWER SUPPLY FOR LEDRAPTOR 5

Technical Data: DT20-BI

Tech: mains voltage:
AC 90-264V / 50-60HZ

Max. Power: 480 VA, Prot. Class: IP 40
Weight: 3,7kg / 8.2lb




DT20-BI


LEDRAPTOR 5 Set with 5ft (150 cm) textile reflector




Options:



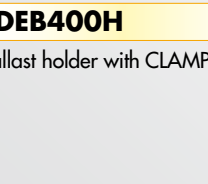
DLPA5G
5ft louvre/grid



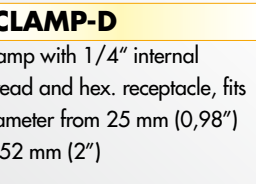
DST400S
dedolight stackable stand, small



DSCPA5
Panaura 5 soft case



DEB400H
Ballast holder with CLAMP-D



CLAMP-D
Clamp with 1/4" internal thread and hex. receptacle, fits diameter from 25 mm (0,98") to 52 mm (2")



LEDRAPTOR 7 – HIGH POWER

This is our most powerful LED soft light working with four different light sources, each of which is capable of 2 x 220 W bicolor function.

Total power consumption is close to 1000 W.

This concept makes it necessary, to employ a super modern, very special version of heat pipe cooling and actually 4 of those combined, which accounts for the unusual shape of the light head.

In order to keep the noise down, there are 8 fans operating at low revolution, very special fan and super modern cooling concept for longevity and continuous use.

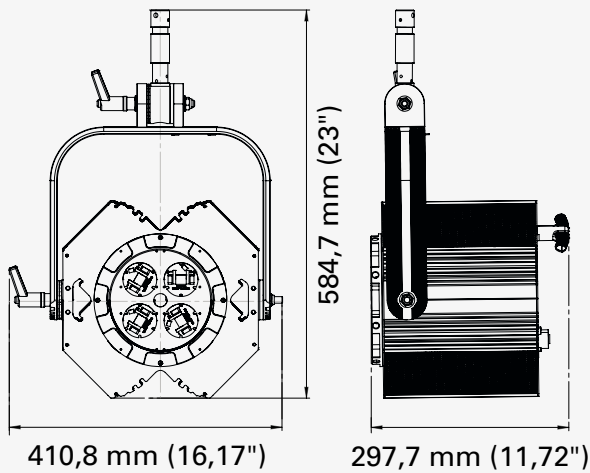


DLRAP7-BI

Ledraptor 7 LED soft light

Technical Data: DLRAP7-BI

Tech.: 4x 2x220W Bicolor 2700-6500K,
CRI_a (3200) 96, CRI_a (5600) 97,
TLCI (3200) 97, TLCI (5600) 96



Ledraptor 7 (4x 2x220W)	lux, Front diffuser only			lux, with additional inner diffuser		
	1 m	2 m	3 m	1 m	2 m	3 m
daylight	10.350	2.588	1.150	7.920	1.980	880
tungsten	8.910	2.228	990	6.732	1.683	748

POWER SUPPLY - DT40-BI FOR LEDRAPTOR 7

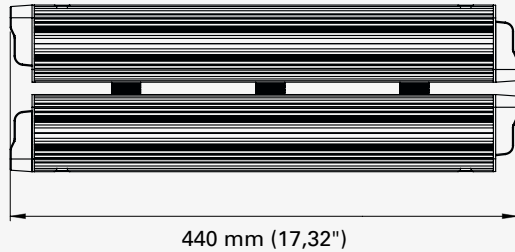
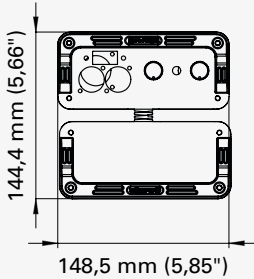
Technical Data: DT40-BI

AC 90-264 V / 50-60HZ

Max. Power: 935 VA

Prot. Class: IP 40

Weight : 10 kg / 22lb



DT40-BI

LEDRAPTOR 7 Set with 7ft (210 cm) textile reflector



textile reflector
7' (210 cm)

SETDLRAP7-BI

Complete set consisting of: DLRAP7-BI Light head, DT40-BI power supply, 2 cables DPOW20, textile reflector 7' (210 cm), front and inner diffuser, cable AC to DT40-BI, DLRAP7 front protection (transport) ballast holder DEB1200H



mandatory accessory:
already included in „set“
(above)



DEB1200H

stand mounting with 2x CLAMP-D

Options:
transport case
on request












DLPA7G

Grid 40°, fits Panaura 7

SOFTLIGHT COMPARISON

Ledraptor (LED), HMI, Halogen

Ledraptor 7		4 x LED Bicolor		
Lamp: 4x 220 W LED bicolor		Daylight	5500 K	
DLRAP7-BI	Panaura 7 (no inner diffuser)	lux	1150	
		fc	107	
	Panaura 7 (standard inner diffuser)	lux	880	
		fc	82	
Panaura 7		2 x HMI		
Lamp: 2x400 W discharge lamp (at 575 W BOOST position), Code: DL400DHR-NB		Daylight	5500 K	
DLHPA7x2DT	Panaura 7 (standard inner diffuser)	lux	1060	
		fc	98,5	
	Panaura 7 (small ‚Tanga‘ inner diffuser)	lux	1270	
		fc	118	
Panaura 7		1 x 1200 W HMI		
Lamp: 1x1200 W discharge lamp, Code: DL1200DHR-NB		Daylight	5500 K	
DLH1x1200SD	Panaura 7 (standard inner diffuser)	lux	1180	
		fc	109,6	
	Panaura 7 (small ‚Tanga‘ inner diffuser)	lux	1430	
		fc	132,8	
Panaura 7		2 x 1000 W Halogen		
Lamps: 2x1000 W, Code: DL1000FEP-NB (230V) / DL1000FEL-NB (120V)		Tungsten	3200 K	
DLHPA7x2T	Panaura 7 (standard inner diffuser)	lux	405	
		fc	38	
	Panaura 7 (small ‚Tanga‘ inner diffuser)	lux	495	
		fc	46	
Ledraptor 5		2 x LED Bicolor		
Lamp: 2x 220 W LED bicolor		Daylight	5500 K	
DLRAP5-BI	Panaura 7 (no inner diffuser)	lux	595	
		fc	55	
	Panaura 7 (standard inner diffuser)	lux	455	
		fc	42	
Panaura 5		1 x HMI		
Lamp: 400 W discharge lamp (at 575 W BOOST position), Code: DL400DHR-NB		Daylight	5500 K	
DLH400SDT	Panaura 5 (no inner diffuser)	lux	705	
		fc	66	
	Panaura 5 (standard inner diffuser)	lux	845	
		fc	79	
Ledraptor 3		1 x LED Bicolor		
Lamp: 220 W LED bicolor		Daylight	5500 K	
DLRAP3-BI	Panaura 3 (no inner diffuser)	lux	230	
		fc	21	
	Panaura 3 (standard inner diffuser)	lux	170	
		fc	16	
Panaura 3		1 x HMI		
Lamp: 200 W HMI		Daylight	5500 K	
DLH200SDT	Panaura 3 (standard inner diffuser)	lux	145	
		fc	13,5	
Panaura 5		1 x 1000 W Halogen		
Lamp: 1000 W, Code: DL1000FEP-NB (230V) / DL1000FEL-NB (120V)		Tungsten	3200 K	
DLH1000S DLH1000SPUS	Panaura 5 (standard inner diffuser) (DLH1000SPUS only)	lux	240	
		fc	22	

DMX CONTROL AND WIRELESS SOLUTIONS BY EXALUX™

DMX control via cable

Most of the dedolight fixtures can be controlled via DMX protocol. Dedo Weigert Film Company supplies a variety of lighting desks for different applications; commonly DMX fixtures are connected via DMX cables.



DLSDC12

DMX-mixer 12 channel

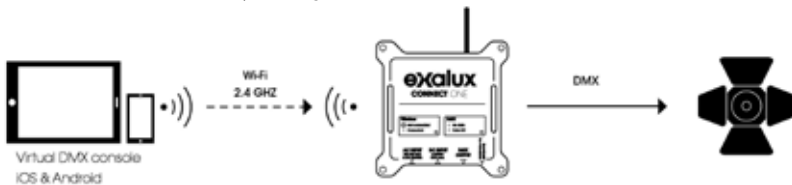
Wifi to DMX control via cable

With the Connect One System from EXALUX™ the gaffer has a solution to control DMX fixtures via WiFi through Android or iOS smart devices.

The Connect One Systems operates as a WiFi access point and translates WLAN into one DMX universe with 512 addresses.

EXALUX™ offers intuitive DMX Apps Connect and Connect+ for easy operation; yet the system can work also with sophisticated APPs from other manufacturer.

On sets long DMX cable runs can be avoided between lighting desk and fixtures and hence enable fast operating.

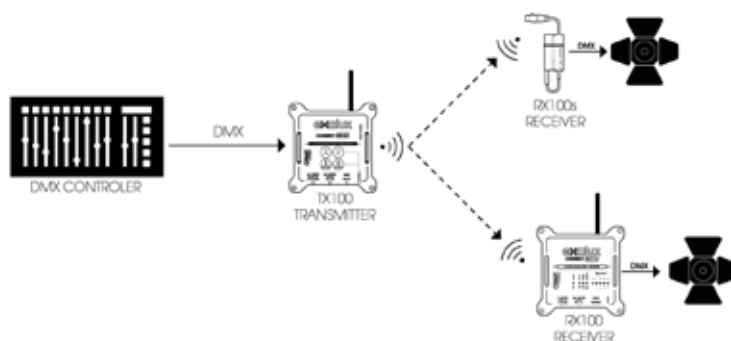


EXA-C1K

Exalux Connect One Kit

DMX control via wireless

For Wireless Operation the EXALUX™ Connect X100 Wireless Solutions replace your DMX cable by a wireless Link.



EXA-CNT5

Connect RX100s „BASIC“

EXA-CNT1.1

Connect TX100+RX100 Set



Dedo Weigert Film GmbH

Karl-Weinmair-Straße 10
D-80807 Munich, Germany

Phone: +49 - (0)89 - 356 16 01
Fax: +49 - (0)89 - 356 60 86

info@dedoweigertfilm.de
www.dedoweigertfilm.de