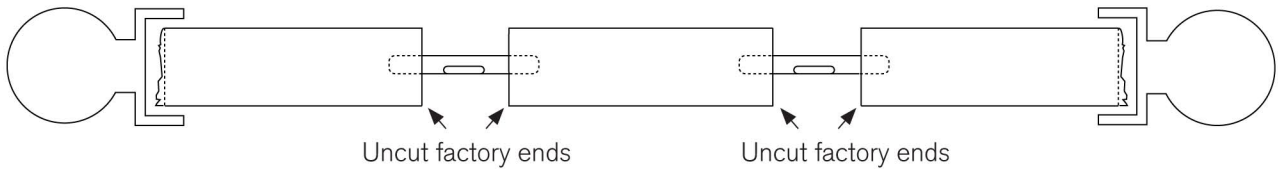
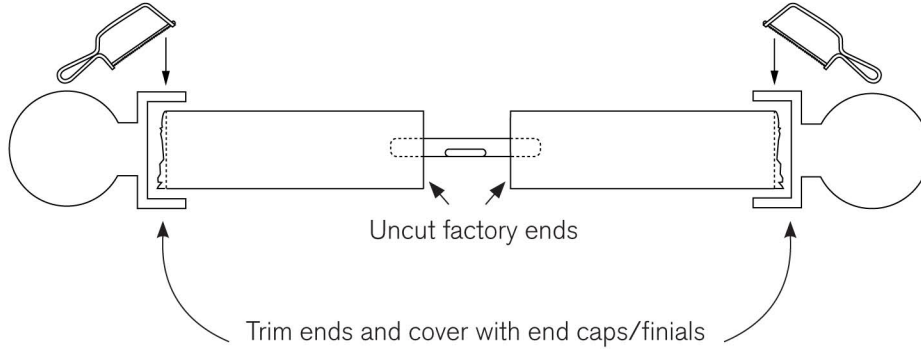


## SYSTEM 30 STRAIGHT TRACK

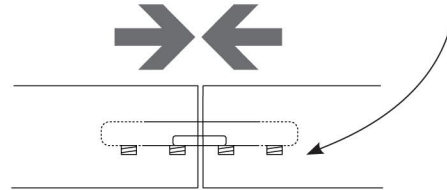
- 1 Join together factory cut ends and trim off the excess at track ends only



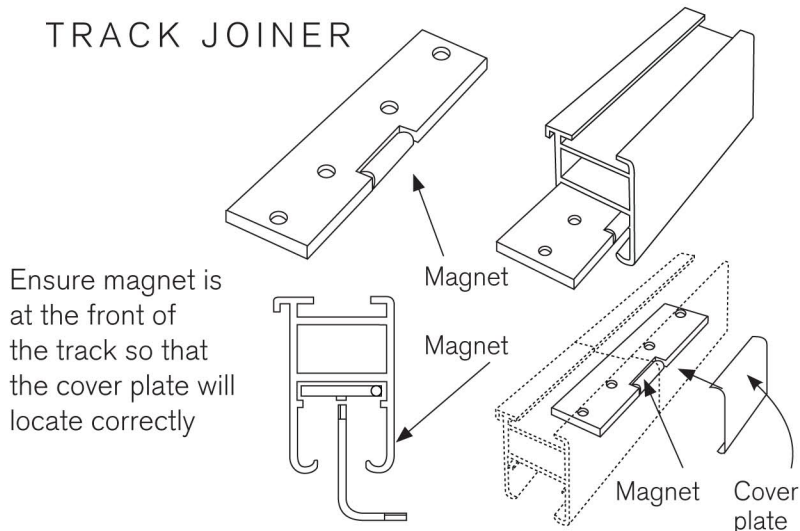
- 2 Place a support bracket as close as possible to the join

- 3 Ensure the joins are butted together tightly before tightening lock screws

With careful installation gliders will pass over the track joins. There is no limit to maximum track length



### TRACK JOINER



### BRACKET SPACING

