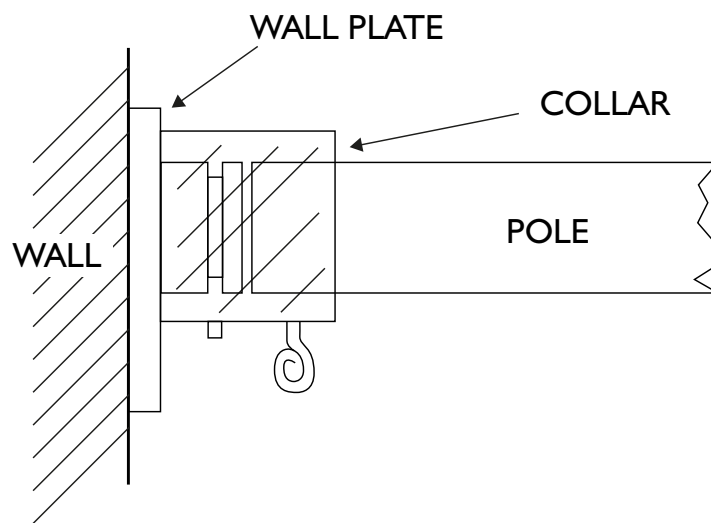
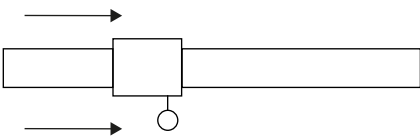


FITTING 2 PART RECESS BRACKETS



- ① Fit the wall plate to the wall
- ② Trim pole to length ensuring that the pole fits closely up to the wallplate
- ③ Slide the collar onto the pole 

A diagram showing a horizontal pole with a square collar in the middle. Two arrows point towards the collar from both sides, indicating the direction of sliding.
- ④ Offer the pole up to the wall plate, slide the collar over the wall plate
- ⑤ Tighten both the grub screw and the eye