

Instruction 510-0262D

10-22-2020

© 2020

by S&S® Cycle, Inc.

All rights reserved.
Printed in the U.S.A.

S&S® Cycle, Inc.

14025 Cty Hwy G

Viola, Wisconsin 54664

Phone: 608-627-1497

Technical Service Email: sstech@sscycycle.com

Website: www.sscycycle.com



S&S® Air Cleaner Kit for 2014–2020 Indian® Motorcycles Equipped with the Thunderstroke™ 111 Engine

DISCLAIMER:

Many S&S parts are designed for high performance, closed course, racing applications and are intended for the very experienced rider only. The installation of S&S parts may void or adversely affect your factory warranty. In addition such installation and use may violate certain federal, state, and local laws, rules and ordinances as well as other laws when used on motor vehicles used on public highways. Always check federal, state, and local laws before modifying your motorcycle. It is the sole and exclusive responsibility of the user to determine the suitability of the product for his or her use, and the user shall assume all legal, personal injury risk and liability and all other obligations, duties, and risks associated therewith.

Exempt from emissions tampering regulations under CARB EO# D-355-33
The words Indian®, Chieftain®, Chief®, Scout®, Thunderstroke® and all Indian part numbers and model designations are used in reference only. S&S Cycle is not associated with Indian Motorcycle International, LLC..

SAFE INSTALLATION AND OPERATION RULES:

Before installing your new S&S part it is your responsibility to read and follow the installation and maintenance procedures in these instructions and follow the basic rules below for your personal safety.

- Gasoline is extremely flammable and explosive under certain conditions and toxic when breathed. Do not smoke. Perform installation in a well ventilated area away from open flames or sparks.
- If motorcycle has been running, wait until engine and exhaust pipes have cooled down to avoid getting burned before performing any installation steps.
- Before performing any installation steps disconnect battery to eliminate potential sparks and inadvertent engagement of starter while working on electrical components.
- Read instructions thoroughly and carefully so all procedures are completely understood before performing any installation steps. Contact S&S with any questions you may have if any steps are unclear or any abnormalities occur during installation or operation of motorcycle with a S&S part on it.
- Consult an appropriate service manual for your motorcycle for correct disassembly and reassembly procedures for any parts that need to be removed to facilitate installation.
- Use good judgment when performing installation and operating motorcycle. Good judgment begins with a clear head. Don't let alcohol, drugs or fatigue impair your judgment. Start installation when you are fresh.
- Be sure all federal, state and local laws are obeyed with the installation.
- For optimum performance and safety and to minimize potential damage to carb or other components, use all mounting hardware that is provided and follow all installation instructions.
- Motorcycle exhaust fumes are toxic and poisonous and must not be breathed. Run motorcycle in a well ventilated area where fumes can dissipate.

IMPORTANT NOTICE:

Statements in this instruction sheet preceded by the following words are of special significance.



WARNING

Means there is the possibility of injury to yourself or others.



CAUTION

Means there is the possibility of damage to the part or motorcycle.

NOTE

Other information of particular importance has been placed in italic type.

S&S recommends you take special notice of these items.

WARRANTY:

All S&S parts are guaranteed to the original purchaser to be free of manufacturing defects in materials and workmanship for a period of twelve (12) months from the date of purchase. Merchandise that fails to conform to these conditions will be repaired or replaced at S&S's option if the parts are returned to us by the purchaser within the 12 month warranty period or within 10 days thereafter.

In the event warranty service is required, the original purchaser must call or write S&S immediately with the problem. Some problems can be rectified by a telephone call and need no further course of action.

A part that is suspect of being defective must not be replaced by a Dealer without prior authorization from S&S. If it is deemed necessary for S&S to make an evaluation to determine whether the part was defective, a return authorization number must be obtained from S&S. The parts must be packaged properly so as to not cause further damage and be returned prepaid to S&S with a copy of the original invoice of purchase and a detailed letter outlining the nature of the problem, how the part was used and the circumstances at the time of failure. If after an evaluation has been made by S&S and the part was found to be defective, repair, replacement or refund will be granted.

ADDITIONAL WARRANTY PROVISIONS:

- (1) S&S shall have no obligation in the event an S&S part is modified by any other person or organization.
- (2) S&S shall have no obligation if an S&S part becomes defective in whole or in part as a result of improper installation, improper maintenance, improper use, abnormal operation, or any other misuse or mistreatment of the S&S part.
- (3) S&S shall not be liable for any consequential or incidental damages resulting from the failure of an S&S part, the breach of any warranties, the failure to deliver, delay in delivery, delivery in non-conforming condition, or for any other breach of contract or duty between S&S and a customer.
- (4) S&S parts are designed exclusively for use in Harley-Davidson® and other American v-twin motorcycles. S&S shall have no warranty or liability obligation if an S&S part is used in any other application.

Kit Contents:	Qty
Air Filter.....	1
Throttle Body Backplate.....	1
Backplate Bracket.....	1
Air Filter Backplate.....	1
Standoff.....	2
5/8" 45 degree fitting.....	1
Backplate Gasket.....	1

Kit Contents:	Qty
Grommets.....	4
Spacers.....	4
Low Profile Cap Screw M6 X 25mm zinc.....	4
Low Profile Cap Screw M6 X 25mm chr.....	4
Flat Head Cap Screw M6 x 16mm.....	8
Washer, Flat, M6, Zinc.....	4
243 Blue Loctite®.....	1

- Tool Required:**
- Torque Wrench
 - 4mm Allen Socket
 - 5mm Allen Socket
 - 5/8" Open End Wrench
 - 1/2" Open End Wrench

WARNING

The safety of the motorcycle rider is dependent on proper installation of this product. If you are not certain of your capabilities or do not have the correct tools for this installation, please consult a shop to have it done. Improper installation of this product could result in injury or death to the rider.

Be sure to disconnect the battery of your motorcycle before starting on this procedure. Accidental starting of the motorcycle could cause injury to you or others around you during the installation.

Disassembly

Stock Air Cleaner Removal

1. Disconnect the negative battery cable from the motorcycle battery and route it away from any metal parts in the area.
2. Remove the stock air cleaner assembly following the procedure outlined in the service manual.

Installation

1. Locate the throttle body bracket, backplate bracket (**Picture 1a**), grommets, spacers, zinc low profile cap screws (LPCS) and flat washers. **Picture 1b**.



Picture 1a



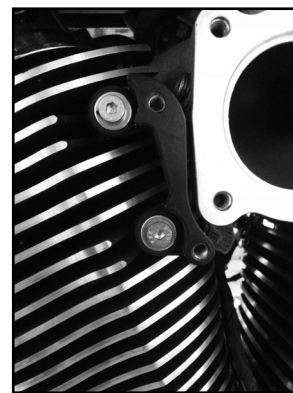
Picture 1b

2. Install the grommets and spacers as shown in **Picture 2**. It may be necessary to use soapy water to aid in the installation of the grommets



Picture 2

3. Apply Loctite to 2 of the zinc LPCS. Install flat washers as shown and bolt the bracket to the front cylinder. Torque the screws to 88.5 in-lbs (10.0 Nm). **Picture 3**



Picture 3

4. Locate one of the original throttle body O-rings and place it into the groove on the back side of the throttle body backplate. Apply Loctite to two of the zinc LPCS and two of the flat head cap screws (FHCS) and install as shown in **Picture 4**. Make sure the O-ring is seated into the intake manifold. Torque screws to 88.5 in*lb (10.0 Nm).



Picture 4

5. Place the provided foam gasket over the wires that run to the throttle body and route as shown. **Picture 5**



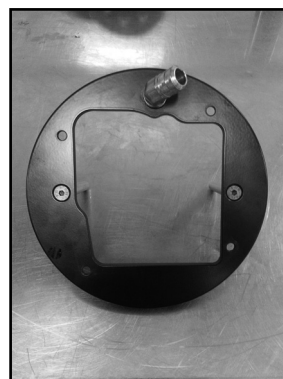
Picture 5

6. Locate the air filter backplate, $\frac{5}{8}$ " hose fitting, 2 standoffs and 2 of the FHCS. Apply Loctite to the screws and attach the standoffs to the backplate as shown. **Picture 6a**. Torque screws to 88.5 in-lbs (10.Nm). **Picture 6a**



Picture 6a

- Apply Loctite to the threads of the fitting and install as shown **Picture 6b**.



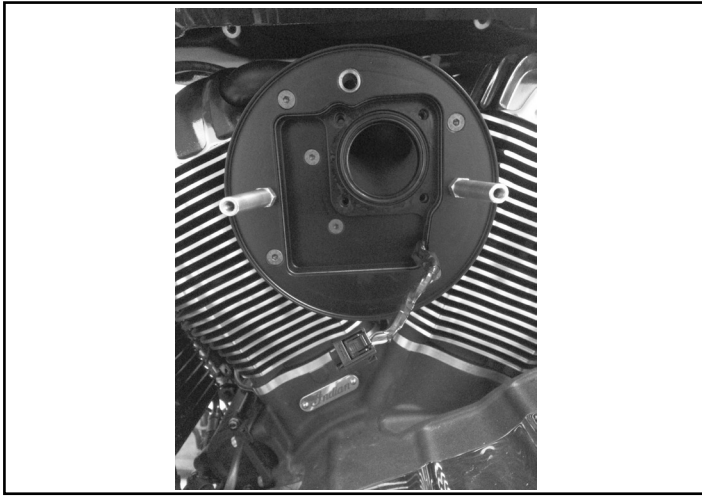
Picture 6b

- Install the original breather hose onto the fitting and secure with the provided zip tie as shown **Picture 6c**



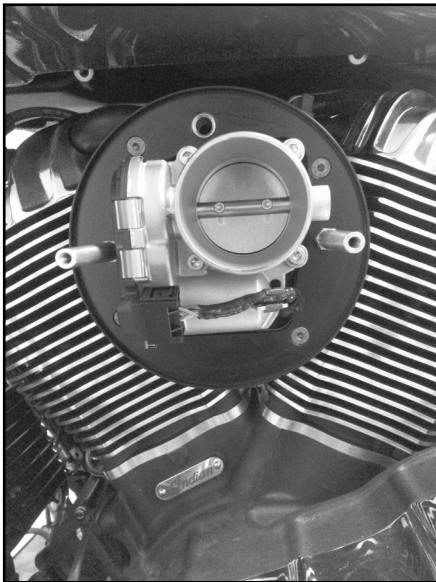
Picture 6c

7. Locate the backplate gasket and the remaining 4 FHCS. Apply Loctite to the screws and attach the air filter backplate and gasket as shown **Picture 7**. Reconnect the breather hose to the fitting in the front cylinder head.



Picture 7

8. Install the remaining original throttle body O-ring to the groove on the front of the throttle body backplate. Apply Loctite to the original throttle body bolts and install the throttle body. Reconnect the wire harness to the throttle body. Torque screws to 88.5 in-lbs (10.0 Nm). **Picture 8**



Picture 8

9. Place the air filter over the standoffs and onto the backplate. **Picture 9**



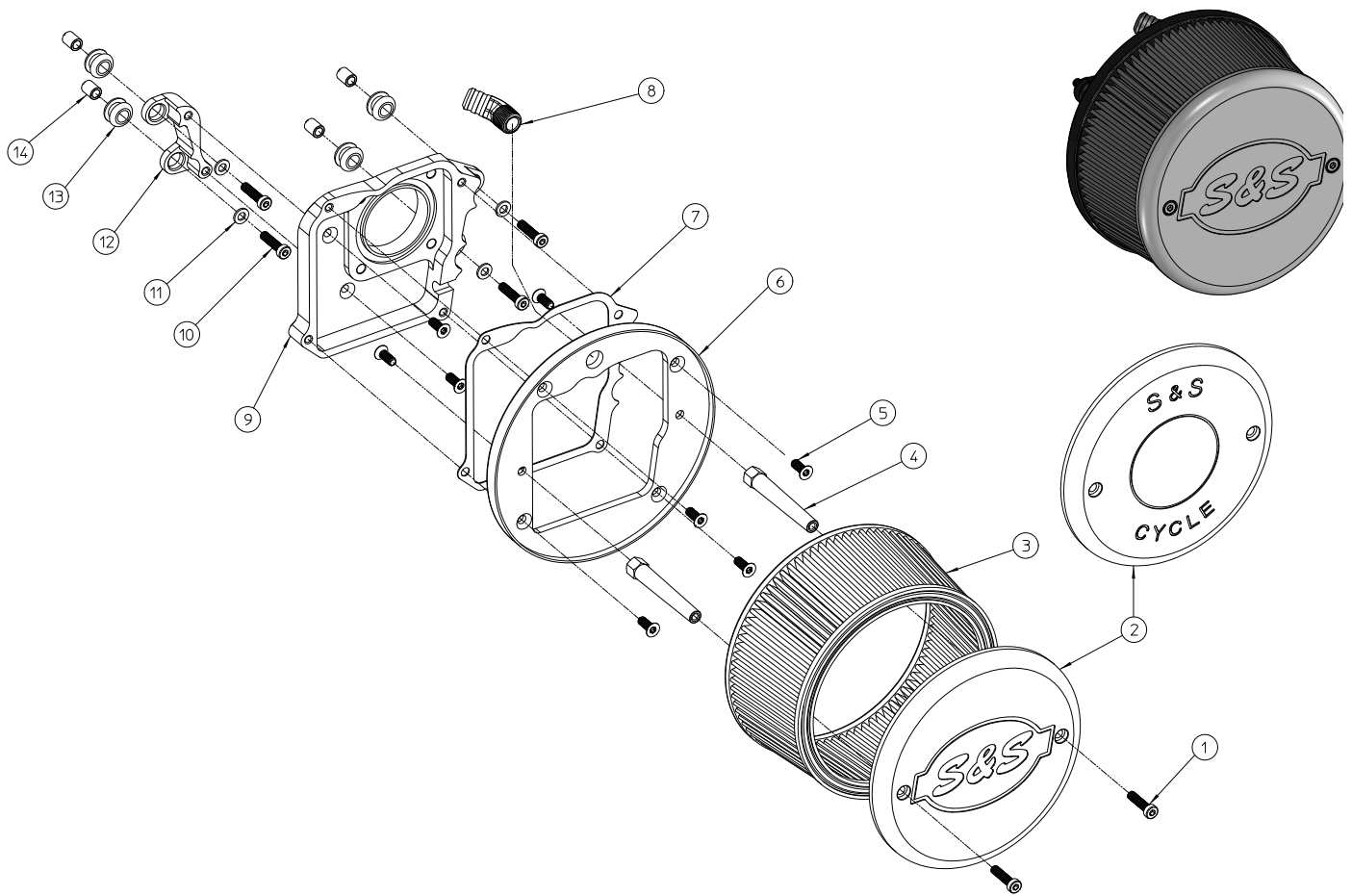
Picture 9

10. Apply loctite to the low profile socket head screws and install the cover. Torque screws to 88.5 in-lbs (10.0 Nm). **Picture 10**.



Picture 10

11. Reconnect the negative battery cable.



ITEM #	PART NUMBER	DESCRIPTION	QUANTITY
1	500-0287	SCREW, SHC LOW PROFILE, 25MM, M6 X 1, CHROME	2
2	170-0238	COVER, AIR CLEANER, S&SR BRUSH SCRIPT LOGO, OUTSIDE PROCESS, CHROME, 2014 INDIAN CHIEF	1
2	170-0241	COVER, AIR CLEANER, S&SR CYCLE LOGO, OUTSIDE PROCESS, CHROME, 2014 INDIAN CHIEF	1
3	170-0228	FILTER, AIR, TAPERED, STANDARD PLEATED, 6.720"x7.250"x3.450", COTTON, 2014 INDIAN CHIEF	1
4	170-0232	STANDOFF, AIR FILTER, 3.184", ZINC, 2014 INDIAN CHIEF	2
5	500-0291	SCREW, SHC, FLAT, 16MM, M6 X 1, ZINC	8
6	170-0235	BACKPLATE, AIR FILTER ELEMENT, POWDERCOATED, GOOTH BLACK, 2014 INDIAN CHIEF	1
7	170-0233	GASKET, BACKPLATE, 2014 INDIAN CHIEF	1
8	500-0267	FITTING, 45°, 3/8" NPT X 5/8 BARB, ZINC PLATED	1
9	170-0234	BACKPLATE, THROTTLE BODY, MACHINED, POWDERCOATED, GOOTH BLACK, 2014 INDIAN CHIEF	1
10	500-0271	SCREW, SHC LOW PROFILE, 25MM, M6 X 1, ZINC	4
11	500-0272	WASHER, FLAT, M6, ZINC	4
12	170-0236	BRACKET, BACKPLATE, AIR CLEANER, POWDERCOATED, GOOTH BLACK, 2014 INDIAN CHIEF	1
13	500-0269	GROMMET, BACKPLATE, RUBBER, 2014 INDIAN CHIEF	4
14	500-0270	SPACER, ZINC, 2014 INDIAN CHIEF	4

S&S Air Cleaner Kit is legal for use in all 50-States provided the following requirements have been met:

- **System is installed on make, model, and year of vehicle covered by these instructions**
- **No tuning adjustments are made to the engine**
- **Product Identification label is correctly installed**

Install Product Identification Label:

Included with this S&S Air Cleaner Kit is a product identification label. This label must be permanently installed on or near the system and must be visible when the system is installed. S&S recommends placing the label on the frame near the manufacturer's labels.

NOTE: *Make sure area is clean and dry before affixing label.*