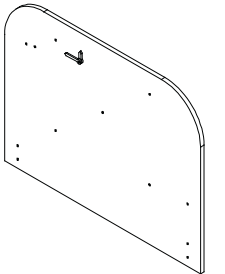
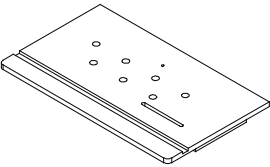
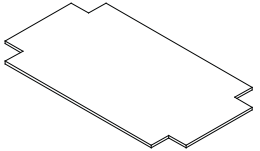

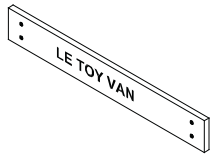
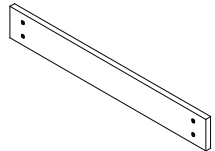
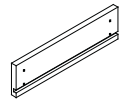
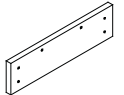
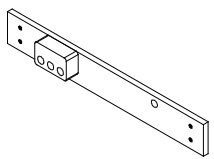


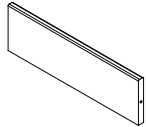
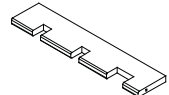
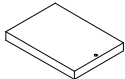
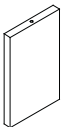
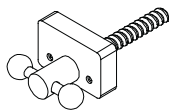
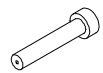

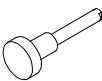

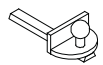




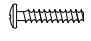


# ASSEMBLY INSTRUCTION

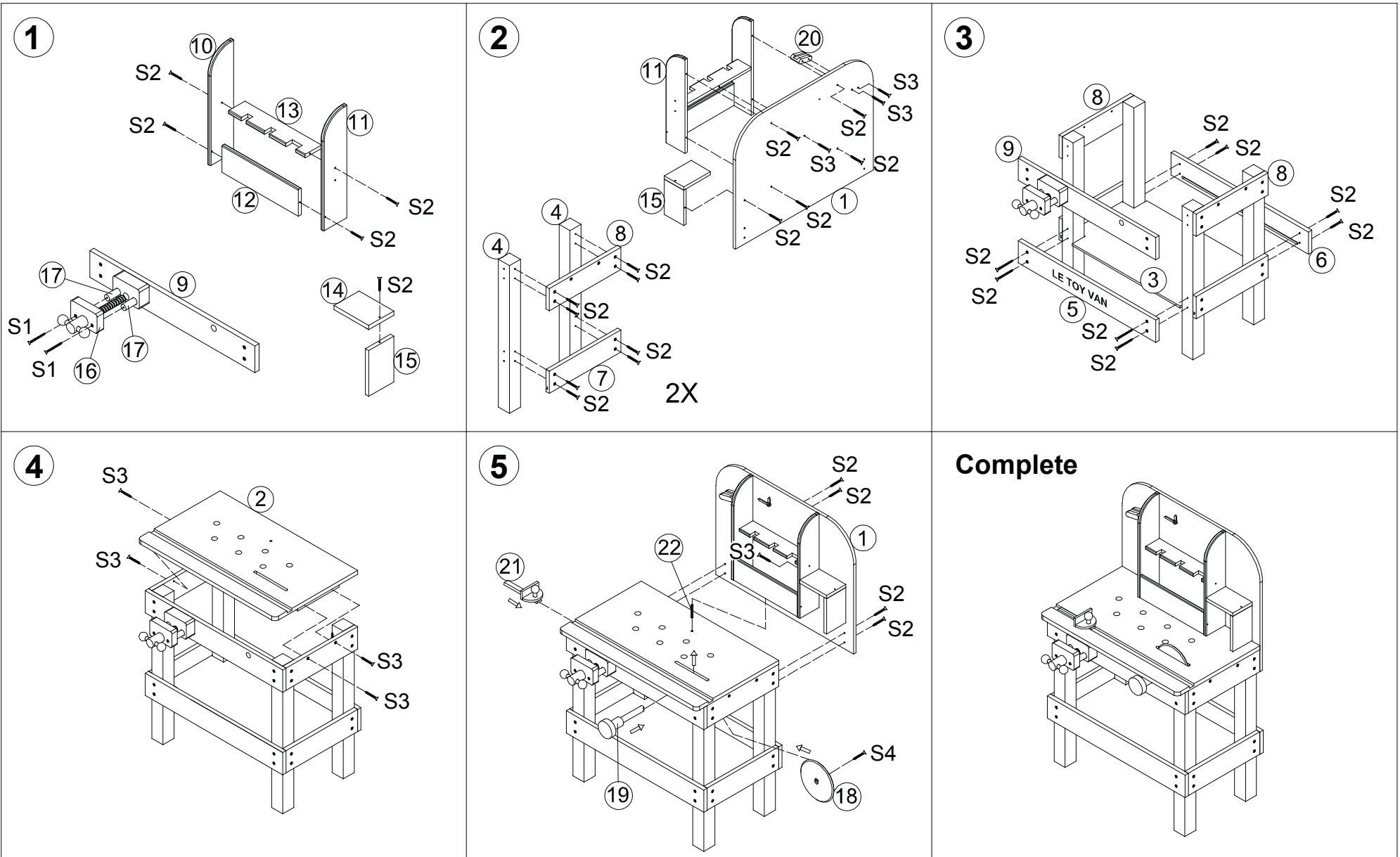
ITEM : TV475

<p>1</p>  <p>x1</p>	<p>2</p>  <p>x1</p>	<p>3</p>  <p>x1</p>	<p>4</p>  <p>x4</p>	<p>5</p>  <p>x1</p>	<p>6</p>  <p>x1</p>	<p>7</p>  <p>x2</p>
<p>8</p>  <p>x2</p>	<p>9</p>  <p>x1</p>	<p>10</p>  <p>x1</p>	<p>11</p>  <p>x1</p>	<p>12</p>  <p>x1</p>	<p>13</p>  <p>x1</p>	<p>14</p>  <p>x1</p>
<p>15</p>  <p>x1</p>	<p>16</p>  <p>x1</p>	<p>17</p>  <p>x2</p>	<p>18</p>  <p>x1</p>	<p>19</p>  <p>x1</p>	<p>20</p>  <p>x1</p>	<p>21</p>  <p>x1</p>
<p>22</p>  <p>x1</p>	<p>S1</p>  <p>35 mm x2</p>	<p>S2</p>  <p>30 mm x38</p>	<p>S3</p>  <p>25 mm x8</p>	<p>S4</p>  <p>21 mm x1</p>		

**ADULT ASSEMBLY REQUIRED**

# ASSEMBLY INSTRUCTION

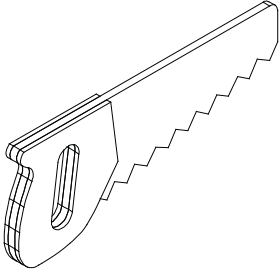
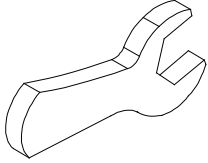
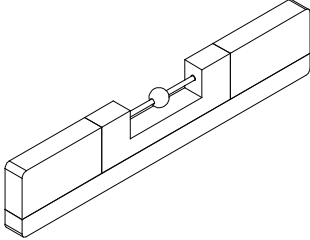
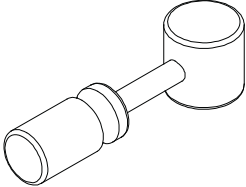
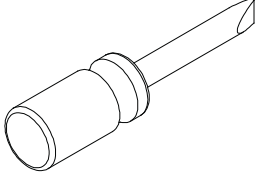
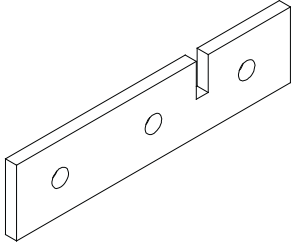
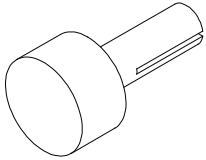
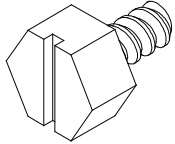
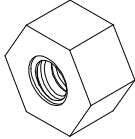
ITEM : TV475



**ADULT ASSEMBLY REQUIRED**

# ACCESORIES

ITEM : TV475

A	B	C
 <p>x1</p>	 <p>x1</p>	 <p>x1</p>
D	E	F
 <p>x1</p>	 <p>x1</p>	 <p>x1</p>
G	H	I
 <p>x2</p>	 <p>x2</p>	 <p>x2</p>

**ADULT ASSEMBLY REQUIRED**