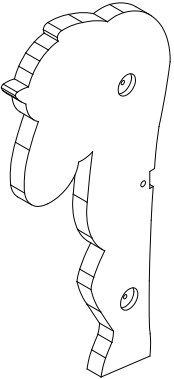
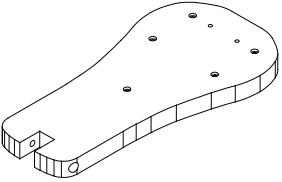
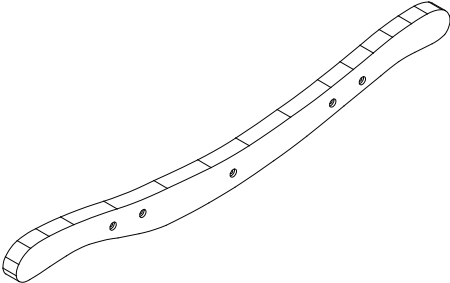
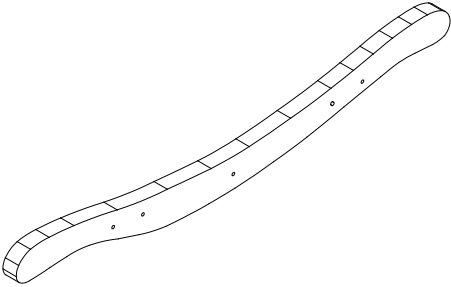
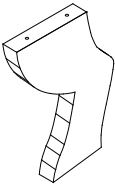
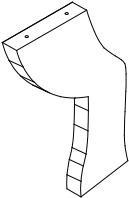
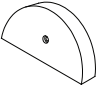
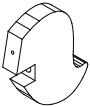

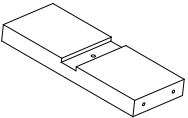
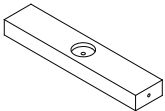
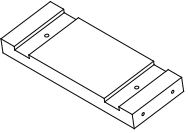
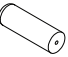


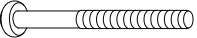
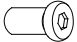
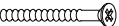
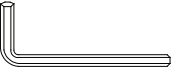


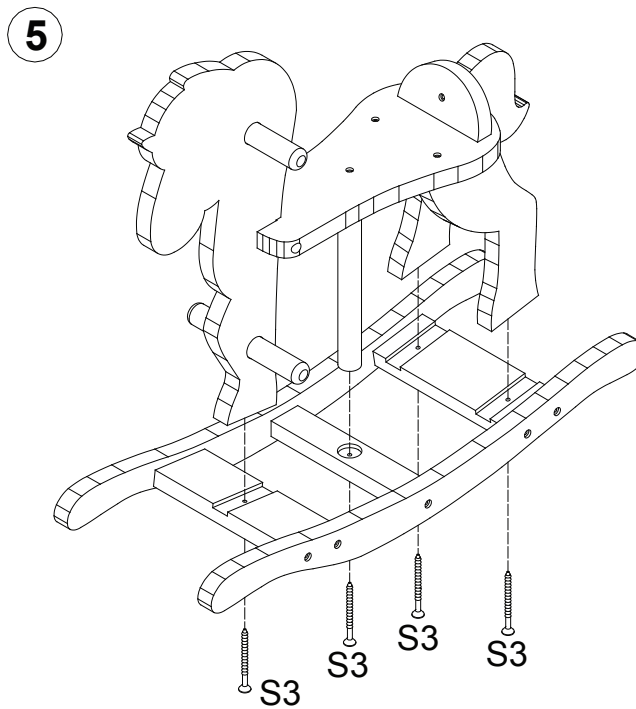
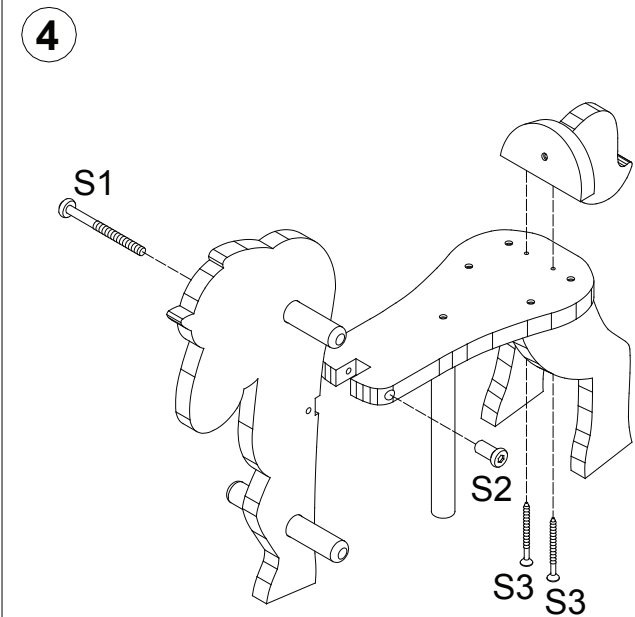
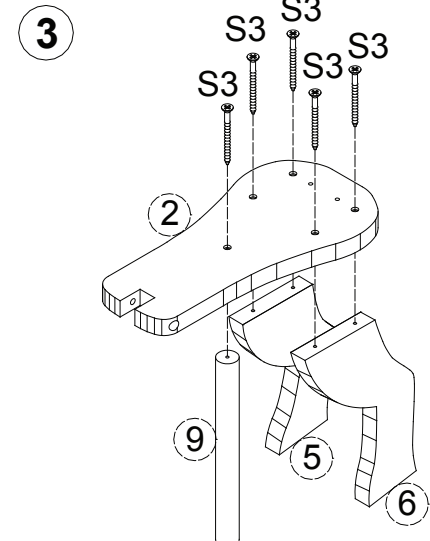
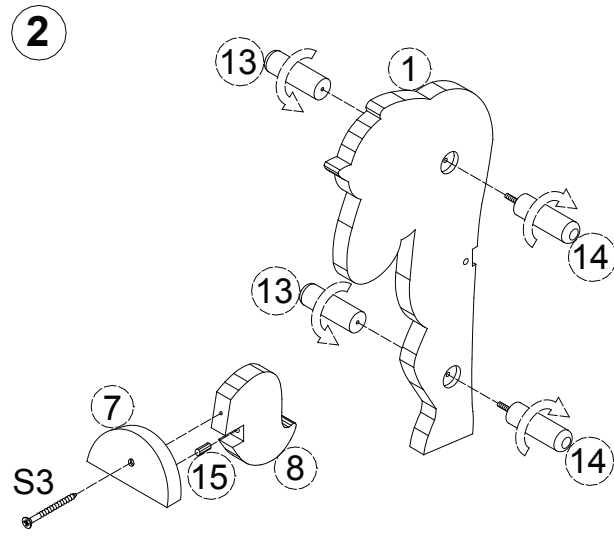
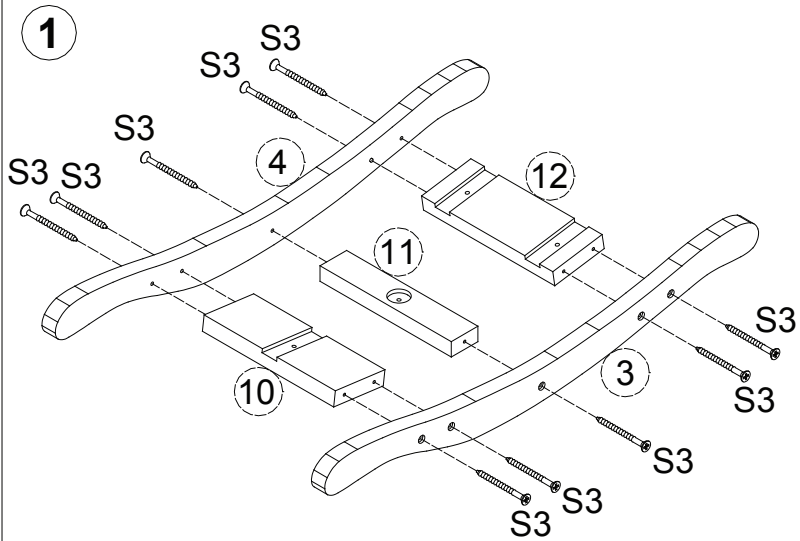
PART LIST
PL134

1	2	3	4	
 <p align="right">1 X</p>	 <p align="right">1 X</p>	 <p align="right">1 X</p>	 <p align="right">1 X</p>	
5	6	7	8	9
 <p align="right">1 X</p>	 <p align="right">1 X</p>	 <p align="right">1 X</p>	 <p align="right">1 X</p>	 <p align="right">1 X</p>
10	11	12	13	14
 <p align="right">1 X</p>	 <p align="right">1 X</p>	 <p align="right">1 X</p>	 <p align="right">2 X</p>	 <p align="right">2 X</p>
15	S1	S2	S3	S4
 <p align="right">1 X</p>	 <p align="center">75 MM</p> <p align="right">1 X</p>	 <p align="center">18 MM</p> <p align="right">1 X</p>	 <p align="center">50 MM</p> <p align="right">22 X</p>	 <p align="right">1 X</p>

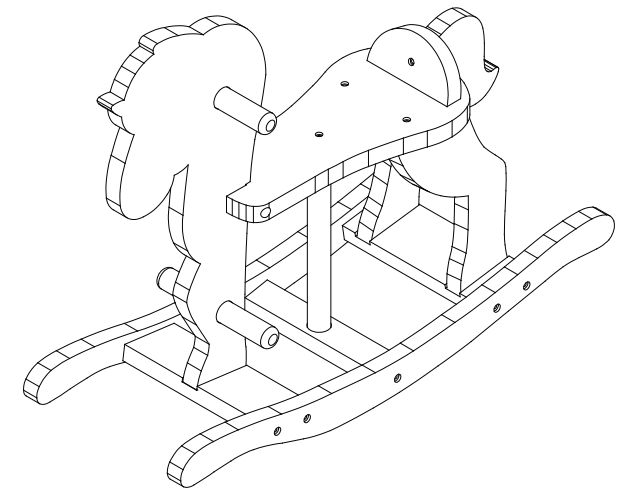
ADULT ASSEMBLE

ASSEMBLY INSTRUCTION

PL134



COMPLETE



ADULT ASSEMBLE