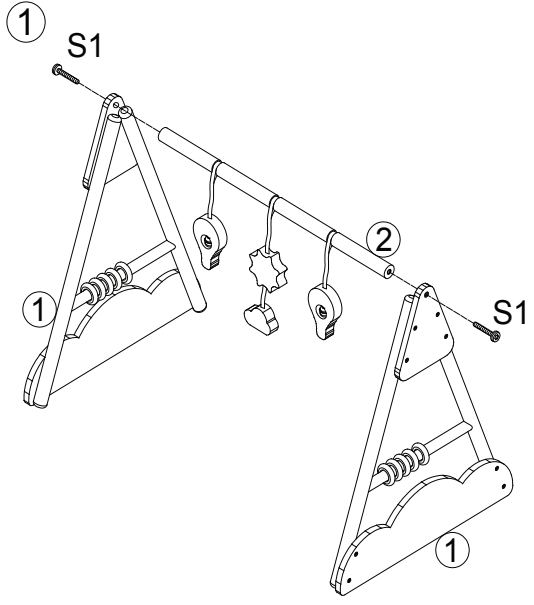


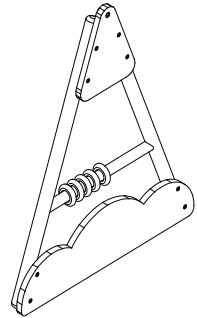
ASSEMBLY INSTRUCTION

PL111

PART LIST

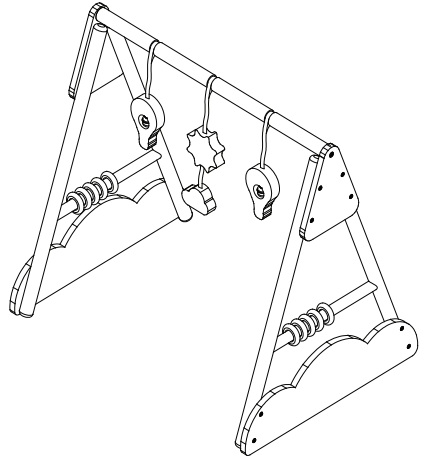


1

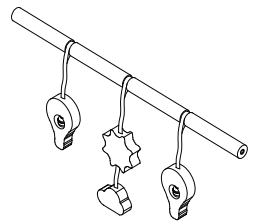


x2

Complete

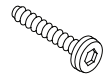


2



x1

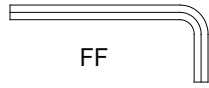
S1



33 MM

x2

S2



FF

x1

ADULT ASSEMBLE