



# Wind Speed Sensor Product Specification Sheet



Accurate 1mph Speed Resolution

Can Measure Windspeed from 0mph to 175mph

Able To Withstand Extreme Weather

High Resolution Compass

1° Direction Resolution

## Wind Speed

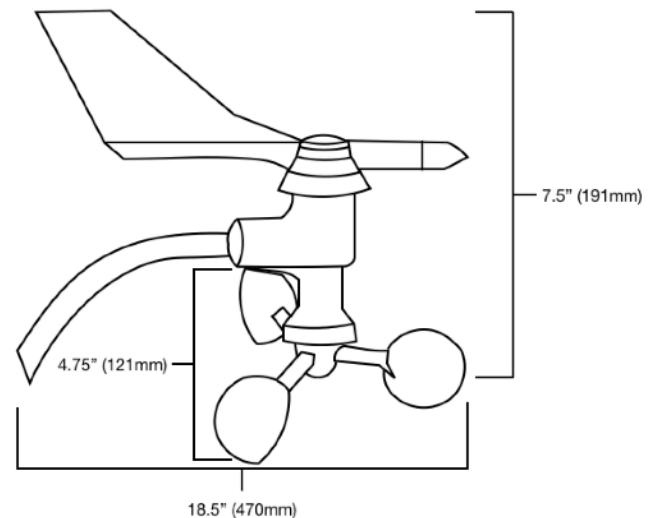
Accurately measure the speed and direction of wind using this wind sensor. Designed to withstand hurricane-force winds of maximum 175mph and also sensitive enough to detect a light breeze of 1mph.

The wind gauge can handle extreme cold and heat making it ideal for weather applications.

Pole Mount hardware included with sensor

## Technical Specifications:

Weight:	2 lbs. 15 oz. (1.332 kg)
Dimensions:	18.5" long x 7.5" high x 4.75" wide (470mm x 191mm x 121mm)
Body Material:	Wind Vane and Control Head: UV-Resistant ABS Wind Cups: Polycarbonate Anemometer Arm: Black-Anodized Aluminum
Connector:	Modular Connector
Accuracy:	Wind Speed: +/- 5% Wind Direction: +/- 7%
Resolution:	Wind Speed: 1mph (1 knot, 0.1 m/s, 1 km/hr) Wind Direction: 1° (0° to 355°), 22.5° between compass points
Range:	Wind Speed: 0-175 mph (150 knots, 78 m/s, 280 km/hr) Wind Direction: 0°-355° or 16 Compass Points
Cable:	12.2 meters (40 Ft)
Operating Temp:	-40°C to 65°C (-40°F to 149°F)



ALL PRODUCT, PRODUCT SPECIFICATIONS AND DATA ARE SUBJECT TO CHANGE WITHOUT NOTICE TO IMPROVE RELIABILITY, FUNCTION, DESIGN OR OTHERWISE. ... It shall be the customer's responsibility to validate that a particular product with the properties described in the product specification is suitable for use in a particular application.