



SOLOSiren®

Windspeed and Direction Monitor



Accurately Monitor Windspeed and Wind Direction

Easy SetUp and Operation

Wireless Data Transmission

Rugged Field Case

Lightweight, Highly Portable Compact Design

Self-Sustaining, User Replaceable Battery System

Technical Specifications:

Dimensions:	9.84" x 6.12" x 2.89"
Weight:	5 lbs.
Enclosure:	ABS / PC / TPU
Power:	Logger Input: 3.3V DC Sensor Input: 12V DC
Battery:	Rechargeable Battery Pack
Input:	Single Sensor - Analog, Serial, Digital or Pulse
Data Storage:	Internal Flash Memory, 88000 Sensor Readings
Sampling Rate:	User Defined: 1 Minute Minimum (Standard) 1 Second Minimum (Optional)
Alarming:	User Defined Data Point Threshold
Wireless:	4G LTE Worldwide Cellular Modem
SMS Alarming:	Optional with Single Point Blind Alarm
Software Interface:	FieldSIREN™ Proprietary Field Software (Included free with every purchase.)
Data Interface:	BlueLive® Cloud Based Big Data Hosting, FTP, Drop Box®, Google Drive®
Temperature:	-40°C to 60°C (-40°F to 140°F)

SOLOSiren®

The SOLOSiren® will provide you with accurate insight into your environmental data collection program without breaking the budget. Designed by field technicians with over 20 years experience, it's rugged, tough, and user-friendly.

With sensor options to meet the demand of today's environmental monitoring challenges, the SOLOSiren® is the go-to device for short term, fast turn-around data acquisition.

With the combination of an ultra-low power microprocessor and a user replaceable power pack, the SOLOSiren® will provide up to six months of data acquisition on a single charge.

With simplified user definable sampling, alarm, and data transmission rates, know the condition of your site in near real-time.



ALL PRODUCT, PRODUCT SPECIFICATIONS AND DATA ARE SUBJECT TO CHANGE WITHOUT NOTICE TO IMPROVE RELIABILITY, FUNCTION, DESIGN OR OTHERWISE. It shall be the customer's responsibility to validate that a particular product with the properties described in the product specification is suitable for use in a particular application.



Wind Speed Sensor Product Specification Sheet



Accurate 1mph Speed Resolution

Can Measure Windspeed from 0mph to 175mph

Able To Withstand Extreme Weather

High Resolution Compass

1° Direction Resolution

Wind Speed

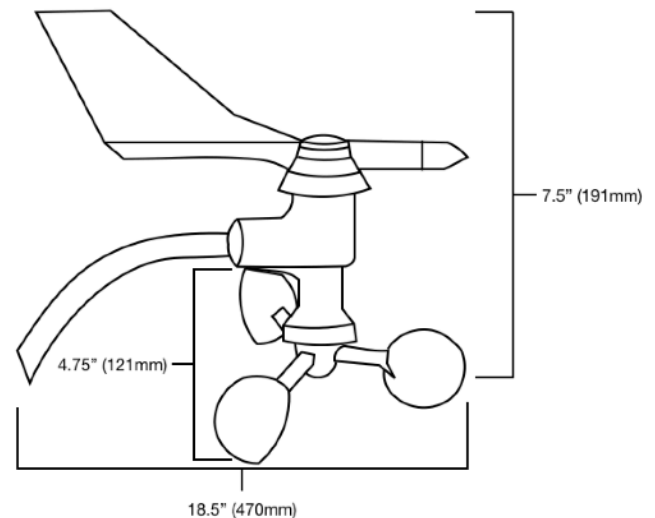
Accurately measure the speed and direction of wind using this wind sensor. Designed to withstand hurricane-force winds of maximum 175mph and also sensitive enough to detect a light breeze of 1mph.

The wind gauge can handle extreme cold and heat making it ideal for weather applications.

Pole Mount hardware included with sensor

Technical Specifications:

Weight:	2 lbs. 15 oz. (1.332 kg)
Dimensions:	18.5" long x 7.5" high x 4.75" wide (470mm x 191mm x 121mm)
Body Material:	Wind Vane and Control Head: UV-Resistant ABS Wind Cups: Polycarbonate Anemometer Arm: Black-Anodized Aluminum
Connector:	Modular Connector
Accuracy:	Wind Speed: +/- 5% Wind Direction: +/- 7%
Resolution:	Wind Speed: 1mph (1 knot, 0.1 m/s, 1 km/hr) Wind Direction: 1° (0° to 355°), 22.5° between compass points
Range:	Wind Speed: 0-175 mph (150 knots, 78 m/s, 280 km/hr) Wind Direction: 0°-355° or 16 Compass Points
Cable:	12.2 meters (40 Ft)
Operating Temp:	-40°C to 65°C (-40°F to 149°F)



ALL PRODUCT, PRODUCT SPECIFICATIONS AND DATA ARE SUBJECT TO CHANGE WITHOUT NOTICE TO IMPROVE RELIABILITY, FUNCTION, DESIGN OR OTHERWISE. ... It shall be the customer's responsibility to validate that a particular product with the properties described in the product specification is suitable for use in a particular application.

DATA MANAGEMENT

Wireless Cloud Delivery and Data Analysis

View and Analyze Real Time Data

Automatic Delivery to Hosting Provider of your choice, DropBox®, Google Drive®, FTP, email, BlueLive®

Batch View Line and Scatter Plots

Manage Large Networks

Multiple End Users, No Additional Fees



FLEXIBLE DATA PLAN AND DELIVERY OPTIONS:

Automatically upload monitor data to BlueLive®, DropBox®, GoogleDrive®, email, or a FTP location of your choice. The internal worldwide 4G LTE wireless module supports multiple countries and cellular frequencies. In addition, WiFi connectivity options also available for infrastructure implementation. Provide your own SIM card and cellular network or have Blue Siren provide one for you. Blue Siren has low cost options on major networks such as AT&T® and Verizon Wireless®.



ALL PRODUCT, PRODUCT SPECIFICATIONS AND DATA ARE SUBJECT TO CHANGE WITHOUT NOTICE TO IMPROVE RELIABILITY, FUNCTION OR DESIGN OR OTHERWISE. ... It shall be the customer's responsibility to validate that a particular product with the properties described in the product specification is suitable for use in a particular application.